

# ABBEYDALE 760 EASY ACCESS SHOWER

## HOW TO ORDER

- 1 CHOOSE SHOWER TRAY**
- 2 CHOOSE A COMBINED TRAY/DOOR KIT OPTION G1 (this is a complete kit)**
- 3 ADDITIONAL OPTION**
- P2 Shower waste pump kit (choose this option if a pump is required) - see p30-31

Door and enclosure kit contents:

- Door kit (c/w Trifold door)
- Half height fixed panels
- Assistance poles (1950mm) to Curtain Rail (floor to Ceiling poles available as an option - additional £15. Please confirm height requirement)
- Curtain Track and Hooks to suit door option
- White Shower Curtain
- Fitting instructions
- See p130 for Shower units (optional extra)

Shower tray contents:

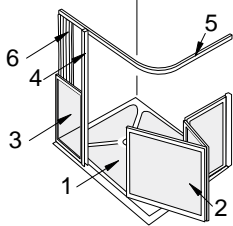
- White shower tray (coloured shower trays available in any colour to special order. A £200 charge applies. Extended delivery times apply.)
- Tray Edging Cover Strip
- Fitting instructions

**IMPORTANT NOTE:** Trays and door kits on this page are supplied under one code as a complete kit.

## LEFT HAND TRAY To order tick the relevant circle and fax back.

1 SHOWER TRAY SIZE		2 SHOWER TRAY/ TRIFOLD DOOR KIT	SHOWER TRAY/ SPECIAL DOOR KIT		
<b>LEFT HAND 760 TRAY</b> 	<b>Order as a complete tray &amp; door kit using part no's shown right. Waste detail shown on p23-24.</b> <span style="border: 1px solid black; padding: 0 2px;">G1</span>	<input type="radio"/> <b>IDAD760LHTL</b> Price £815 	<input type="radio"/> <b>SEE PAGE 49</b> 		

## PARTS

<b>LEFT HAND 760 (TRIFOLD DOOR KIT)</b>		<p><i>Notes:</i> For shower tray part number see below</p> <p><i>Invawaste included - see pages 23-24.</i></p> <p><i>Shower Waste Pump option - see p30-31.</i></p>	
DESCRIPTION	PART NUMBER	PRICE	
<input type="radio"/> <b>IDIADL5</b>	1. Tray	£294.40	
<input type="radio"/> <b>IDATD01W</b>	2. Door	£439.89	
<input type="radio"/> <b>IDAWJ03W</b>	3. Jamb panel	£83	
<input type="radio"/> <b>IDAPK01W</b>	4. Pole set	£62.56	
<input type="radio"/> <b>IDGRL4330W</b>	5. Curtain rail	£38	
<input type="radio"/> <b>IDGSS22</b>	6. Curtain	£32	

### SYMBOLS:

Bulk/oversized item



Made to order (see P192)



Tel: 0800 917 0399

www.chilterninvadex.co.uk

Fax: +44 (0) 1869 365588

sales@chilterninvadex.co.uk

# ABBEYDALE 760 EASY ACCESS SHOWER

## HOW TO ORDER

- 1 CHOOSE SHOWER TRAY**
- 2 CHOOSE A COMBINED TRAY/DOOR KIT OPTION G1 (this is a complete kit)**
- 3 ADDITIONAL OPTION**  
P2 Shower waste pump kit (choose this option if a pump is required) - see p30-31

Door and enclosure kit contents:


- Door kit (c/w Trifold door)
- Half height fixed panels
- Assistance poles (1950mm) to Curtain Rail (floor to Ceiling poles available as an option - additional £15. Please confirm height requirement)
- Curtain Track and Hooks to suit door option
- White Shower Curtain
- Fitting instructions
- See p130 for Shower units (optional extra)

Shower tray contents:

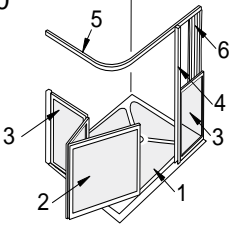
- White shower tray (coloured shower trays available in any colour to special order. A £200 charge applies. Extended delivery times apply.)
- Tray Edging Cover Strip
- Fitting instructions

**IMPORTANT NOTE:** Trays and door kits on this page are supplied under one code as a complete kit.

## RIGHT HAND TRAY To order tick the relevant circle and fax back.

1 SHOWER TRAY SIZE		2 SHOWER TRAY/ TRIFOLD DOOR KIT		SHOWER TRAY/ SPECIAL DOOR KIT	
<b>RIGHT HAND 760 TRAY</b> 	<b>Order as a complete tray &amp; door kit using part no's shown right. Waste detail shown on p23-24.</b> <span style="border: 1px solid black; padding: 0 2px;">G1</span>	<input type="radio"/> <b>IDAD760RHTL</b> Price £815 	<input type="radio"/> <b>SEE PAGE 49</b> 		

## PARTS

<b>RIGHT HAND 760 (TRIFOLD DOOR KIT)</b>		<i>Notes:</i> For shower tray part number see below  Inwaste included - see pages 23-24.  Shower Waste Pump option - see p30-31	
DESCRIPTION	PART NUMBER	PRICE	
<input type="radio"/> <b>IDIADR5</b>	1. Tray	£294.40	
<input type="radio"/> <b>IDATD02W</b>	2. Door	£439.89	
<input type="radio"/> <b>IDAWJ04W</b>	3. Jamb panel	£83	
<input type="radio"/> <b>IDAPK02W</b>	4. Pole set	£62.56	
<input type="radio"/> <b>IDGRL4330W</b>	5. Curtain rail	£38	
<input type="radio"/> <b>IDGSS22</b>	6. Curtain	£32	

### SYMBOLS:

Bulk/oversized item



Made to order (see P192)



Tel: 0800 917 0399

www.chilterninvadex.co.uk

Fax: +44 (0) 1869 365588

sales@chilterninvadex.co.uk

# ABBEYDALE 850 EASY ACCESS SHOWER

## HOW TO ORDER

<b>1 CHOOSE SHOWER TRAY</b>
<b>2 CHOOSE A COMBINED TRAY/DOOR KIT OPTION G1 (this is a complete kit)</b>
<b>3 ADDITIONAL OPTION</b> P2 Shower waste pump kit (choose this option if a pump is required) - see p30-31

Door and enclosure kit contents:

- Door kit (c/w Trifold door)
- Half height fixed panels
- Assistance poles (1950mm) to Curtain Rail (floor to Ceiling poles available as an option - additional £15. Please confirm height requirement)
- Curtain Track and Hooks to suit door option
- White Shower Curtain
- Fitting instructions
- See p130 for Shower units (optional extra)

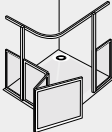
Shower tray contents:

- White shower tray (coloured shower trays available in any colour to special order. A £200 charge applies. Extended delivery times apply.)
- Tray Edging Cover Strip
- Fitting instructions

**IMPORTANT NOTE:** Trays and door kits on this page are supplied under one code as a complete kit.

## SQUARE 850 TRAY (NOT HANDED) LEFT HAND DOOR

To order tick the relevant circle and fax back.

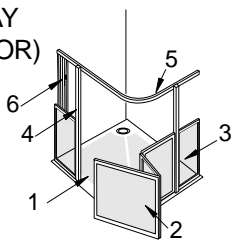
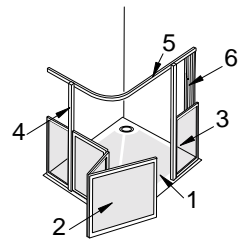
<b>1</b> SHOWER TRAY SIZE		<b>2</b> SHOWER TRAY/LEFT HAND TRIFOLD DOOR KIT	SHOWER TRAY/SPECIAL DOOR KIT		
SQUARE 850 TRAY 	Order as a complete tray & door kit using part no's shown right. Waste detail shown on p23-24. <b>G1</b>	<input type="radio"/> IDAD850LHTL Price £815 	<input type="radio"/> SEE PAGE 49 		

## SQUARE 850 TRAY (NOT HANDED) RIGHT HAND DOOR

To order tick the relevant circle and fax back.

<b>1</b> SHOWER TRAY SIZE		<b>2</b> SHOWER TRAY/RIGHT HAND TRIFOLD DOOR KIT	SHOWER TRAY/SPECIAL DOOR KIT		
SQUARE 850 TRAY 	Order as a complete tray & door kit using part no's shown right. Waste detail shown on p23-24. <b>G1</b>	<input type="radio"/> IDAD850RHTL Price £815 	<input type="radio"/> SEE PAGE 49 		

## PARTS

<b>SQUARE 850 TRAY (RIGHT HAND DOOR)</b> 		<b>SQUARE 850 TRAY (LEFT HAND DOOR)</b> 			
<p>Notes: For shower tray part number see below</p> <p>Invawaste included - see pages 23-24.</p> <p>Shower Waste Pump option - see p30-31</p>					
DESCRIPTION	PART NUMBER	PRICE	DESCRIPTION	PART NUMBER	PRICE
<input type="radio"/> IDIADL11	1. Tray	£294.40	<input type="radio"/> IDIADL11	1. Tray	£294.40
<input type="radio"/> IDATD06W	2. Door	£439.89	<input type="radio"/> IDATD05W	2. Door	£439.89
<input type="radio"/> IDAAD850W	3. Jamb panel	£100.44	<input type="radio"/> IDAAD850W	3. Jamb panel	£100.44
<input type="radio"/> IDASWP02W	4. Pole set	£100.44	<input type="radio"/> IDASWP01W	4. Pole set	£100.44
<input type="radio"/> IDGRL36W	5. Curtain rail	£38	<input type="radio"/> IDGRL36W	5. Curtain rail	£38
<input type="radio"/> IDGSS22	6. Curtain	£32	<input type="radio"/> IDGSS22	6. Curtain	£32

### SYMBOLS:

Bulk/oversized item



Made to order (see P192)



Tel: 0800 917 0399

www.chilterninvadex.co.uk

Fax: +44 (0) 1869 365588

sales@chilterninvadex.co.uk

# ABBEYDALE 950 EASY ACCESS SHOWER

## HOW TO ORDER

- 1 CHOOSE SHOWER TRAY**
- 2 CHOOSE A COMBINED TRAY/DOOR KIT OPTION G1 (this is a complete kit)**
- 3 ADDITIONAL OPTION**  
**P2** Shower waste pump kit  
 (choose this option if a pump is required) - see p30-31

Door and enclosure kit contents:

- Door kit (c/w Trifold door)
- Half height fixed panels
- Assistance poles (1950mm) to Curtain Rail (floor to Ceiling poles available as an option - additional £15. Please confirm height requirement)
- Curtain Track and Hooks to suit door option
- White Shower Curtain
- Fitting instructions
- See p130 for Shower units (optional extra)

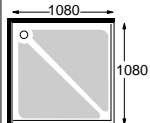
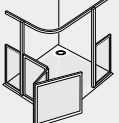
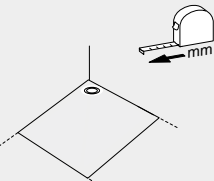
Shower tray contents:

- White shower tray  
(coloured shower trays available in any colour to special order. A £200 charge applies. Extended delivery times apply.)
- Tray Edging Cover Strip
- Fitting instructions

**IMPORTANT NOTE:** Trays and door kits on this page are supplied under one code as a complete kit.

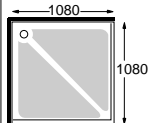
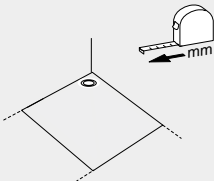
## SQUARE 950 TRAY (NOT HANDED) LEFT HAND DOOR

To order tick the relevant circle and fax back.

1 SHOWER TRAY SIZE	TRAY PART NUMBER	2 SHOWER TRAY/LEFT HAND TRIFOLD DOOR KIT	SHOWER TRAY/SPECIAL DOOR KIT
SQUARE 950 TRAY 	Order as a <b>G1</b> complete tray & door kit using part no's shown right. Waste detail shown on p23-24.	<input type="radio"/> <b>IDAD950LHTL</b> Price £815 	<input type="radio"/> <b>SEE PAGE 49</b> 

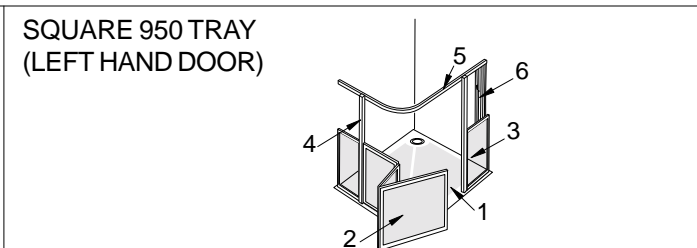
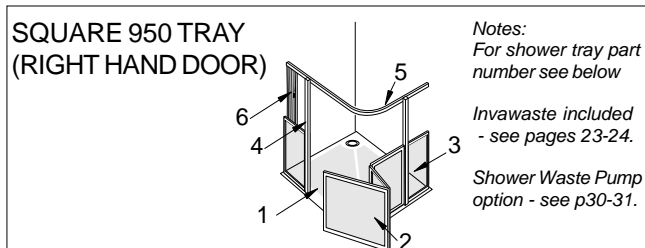
## SQUARE 950 TRAY (NOT HANDED) RIGHT HAND DOOR

To order tick the relevant circle and fax back.

1 SHOWER TRAY SIZE	TRAY PART NUMBER	2 SHOWER TRAY/RIGHT HAND TRIFOLD DOOR KIT	SHOWER TRAY/SPECIAL DOOR KIT
SQUARE 950 TRAY 	Order as a <b>G1</b> complete tray & door kit using part no's shown right. Waste detail shown on p23-24.	<input type="radio"/> <b>IDAD950RHTL</b> Price £815 	<input type="radio"/> <b>SEE PAGE 49</b> 

## PARTS

DESCRIPTION	PART NUMBER	PRICE	DESCRIPTION	PART NUMBER	PRICE
<input type="radio"/> <b>IDIADL7</b>	1. Tray	£314.30	<input type="radio"/> <b>IDIADL7</b>	1. Tray	£314.30
<input type="radio"/> <b>IDATD06W</b>	2. Door	£439.89	<input type="radio"/> <b>IDATD05W</b>	2. Door	£439.89
<input type="radio"/> <b>IDAAD950W</b>	3. Jamb panel	£132.33	<input type="radio"/> <b>IDAAD950W</b>	3. Jamb panel	£132.33
<input type="radio"/> <b>IDAPK02W</b>	4. Pole set	£62.56	<input type="radio"/> <b>IDASWP01W</b>	4. Pole set	£100.44
<input type="radio"/> <b>IDGRL37W</b>	5. Curtain rail	£40	<input type="radio"/> <b>IDGRL37W</b>	5. Curtain rail	£40
<input type="radio"/> <b>IDGSS22</b>	6. Curtain	£32	<input type="radio"/> <b>IDGSS22</b>	6. Curtain	£32



### SYMBOLS:

Bulk/oversized item



Made to order (see P192)



Tel: 0800 917 0399

www.chilterninvadex.co.uk

Fax: +44 (0) 1869 365588

sales@chilterninvadex.co.uk

# ABBEYDALE 1050 EASY ACCESS SHOWER

## HOW TO ORDER

<b>1 CHOOSE SHOWER TRAY</b>
<b>2 CHOOSE A COMBINED TRAY/DOOR KIT OPTION G1 (this is a complete kit)</b>
<b>3 ADDITIONAL OPTION</b> <input type="checkbox"/> P2 Shower waste pump kit (choose this option if a pump is required) - see p30-31.

Door and enclosure kit contents:

- Door kit (c/w Trifold door)
- Half height fixed panels
- Assistance poles (1950mm) to Curtain Rail (floor to Ceiling poles available as an option - additional £15. Please confirm height requirement)
- Curtain Track and Hooks to suit door option
- White Shower Curtain
- Fitting instructions
- See p130 for Shower units (optional extra)

Shower tray contents:

- White shower tray  
 (coloured shower trays available in any colour to special order. A £200 charge applies. Extended delivery times apply.)
- Tray Edging Cover Strip
- Fitting instructions

**IMPORTANT NOTE:** Trays and door kits on this page are supplied under one code as a complete kit.

## SQUARE 1050 TRAY (NOT HANDED) LEFT HAND DOOR

To order tick the relevant circle and fax back.

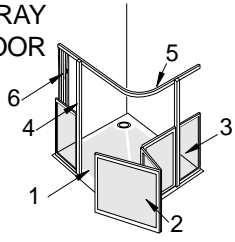
<b>1</b> SHOWER TRAY SIZE		<b>2</b> SHOWER TRAY/LEFT HAND TRIFOLD DOOR KIT	SHOWER TRAY/SPECIAL DOOR KIT		
SQUARE 1050 TRAY 	<input type="radio"/> Order as a <b>G1</b> complete tray & door kit using part no's shown right. Waste detail shown on p23-24.	<input type="radio"/> IDAD1050LHTL Price £815 	<input type="radio"/> SEE PAGE 49 		

## SQUARE 1050 TRAY (NOT HANDED) RIGHT HAND DOOR

To order tick the relevant circle and fax back.

<b>1</b> SHOWER TRAY SIZE		<b>2</b> SHOWER TRAY/RIGHT HAND TRIFOLD DOOR KIT	SHOWER TRAY/SPECIAL DOOR KIT		
SQUARE 1050 TRAY 	<input type="radio"/> Order as a <b>G1</b> complete tray & door kit using part no's shown right. Waste detail shown on p23-24.	<input type="radio"/> IDAD1050RHTL Price £815 	<input type="radio"/> SEE PAGE 49 		

## PARTS

SQUARE 1050 TRAY (RIGHT HAND DOOR)			SQUARE 1050 TRAY (LEFT HAND DOOR)		
					
<p>Notes: For shower tray part number see below</p> <p>Inwaste included - see pages 23-24.</p> <p>Shower Waste Pump option - see p30-31.</p>					
PART NUMBER	DESCRIPTION	PRICE	PART NUMBER	DESCRIPTION	PRICE
<input type="radio"/> IDIADL9	1. Tray	£372.60	<input type="radio"/> IDIADL9	1. Tray	£372.60
<input type="radio"/> IDATD06W	2. Door	£439.89	<input type="radio"/> IDATD05W	2. Door	£439.89
<input type="radio"/> IDAAD1050W	3. Jamb panel	£159.22	<input type="radio"/> IDAAD1050W	3. Jamb panel	£159.22
<input type="radio"/> IDASWP02W	4. Pole set	£100.44	<input type="radio"/> IDASWP03W	4. Pole set	£100.44
<input type="radio"/> IDGRL41W	5. Curtain rail	£44.00	<input type="radio"/> IDGRL41W	5. Curtain rail	£44.00
<input type="radio"/> IDGSS22	6. Curtain	£32.00	<input type="radio"/> IDGSS22	6. Curtain	£32.00

### SYMBOLS:

Bulk/oversized item



Made to order (see P192)



Tel: 0800 917 0399

www.chilterninvadex.co.uk

Fax: +44 (0) 1869 365588

sales@chilterninvadex.co.uk

# DOVEDALE MK2 EASY ACCESS SHOWER (ABOVE FLOOR WASTE)

## HOW TO ORDER

- 1 CHOOSE SHOWER TRAY WASTE OUTLET POSITION (A OR D)
- 2 CHOOSE A COMBINED TRAY/DOOR KIT OPTION **G2** (this is a complete kit)
- 3 ADDITIONAL OPTION
  - P2** Shower waste pump kit (choose this option if a pump is required) - see p30-31

Door and enclosure kit contents:

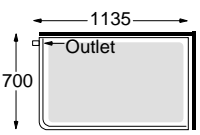
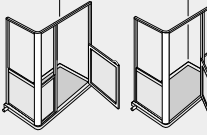

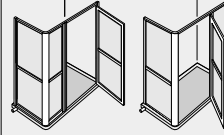
- Door and enclosure kit contents:
- Half height fixed panel (820mm height)
- Door set
- Full height assistance pole
- Curtain Track and Hooks to suit door option
- White Shower Curtain
- Grab Pole to L-shaped Curtain Rail (Grab Pole to Ceiling available as an option - additional £15. Please confirm height requirement)
- Fitting instructions

Shower tray contents:

- White shower tray (coloured shower trays available in any colour to special order. A £200 charge applies. Extended delivery times apply.)
- Fitting instructions
- See p130 for Shower units (optional extra)

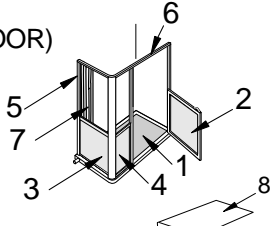
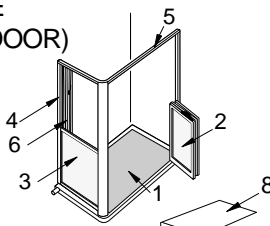
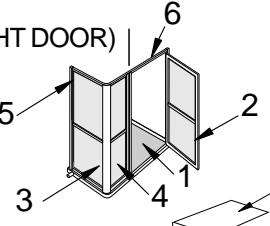
**IMPORTANT NOTE:** Trays and door kits on this page are supplied under one code as a complete kit.

## WASTE POSITIONS A&D To order tick the relevant circle and fax back.

1		2			
SHOWER TRAY SIZE		SHOWER TRAY/ SINGLE DOOR KIT	SHOWER TRAY/ TRIFOLD DOOR KIT	SHOWER TRAY/ FULL HEIGHT DOOR	SHOWER TRAY/ IMPRESSIONS DOOR KIT
<b>WASTE POSITION A</b> 	Order as a complete tray & door kit using part no's shown right. Waste detail shown on p25	<input type="radio"/> IDDDAHH Price £815 	<input type="radio"/> IDDDATL Price £815 	<input type="radio"/> IDDDAFH Price £815 	<input type="radio"/> SEE PAGES 84-87 for the polished chrome (or white) & glass Impressions Collection range

1		2			
SHOWER TRAY SIZE		SHOWER TRAY/ SINGLE DOOR KIT	SHOWER TRAY/ TRIFOLD DOOR KIT	SHOWER TRAY/ FULL HEIGHT DOOR	SHOWER TRAY/ IMPRESSIONS DOOR KIT
<b>WASTE POSITION D</b> tray & door kit 	Order as a complete tray & door kit using part no's shown right. Waste detail shown on p25	<input type="radio"/> IDDDDH Price £815 	<input type="radio"/> IDDDDTL Price £815 	<input type="radio"/> IDDDDFH Price £815 	<input type="radio"/> SEE PAGES 84-87 for the polished chrome (or white) & glass Impressions Collection range

## PARTS

DOVEDALE (SINGLE DOOR) OUTLETS A & D			DOVEDALE (TRIFOLD DOOR) OUTLETS A & D			DOVEDALE (FULL HEIGHT DOOR) OUTLETS A & D		
Note: Outlet position A Illustrated 			Note: Outlet position A Illustrated 			Note: Outlet position A Illustrated 		
DESCRIPTION	PART NUMBER	PRICE	DESCRIPTION	PART NUMBER	PRICE	DESCRIPTION	PART NUMBER	PRICE
<input type="radio"/> IDIDD10	1. Tray option A	£296.60	<input type="radio"/> IDIDD10	1. Tray option A	£296.60	<input type="radio"/> IDIDD10	1. Tray option A	£296.60
<input type="radio"/> IDIDD18	1. Tray option D	£296.60	<input type="radio"/> IDIDD18	1. Tray option D	£296.60	<input type="radio"/> IDIDD18	1. Tray option D	£296.60
<input type="radio"/> IDADD02W	2. Door	£377.33	<input type="radio"/> IDADTD02W	2. Door	£377.33	<input type="radio"/> IDADFD02W	2. Door	£439.89
<input type="radio"/> IDADSP01W	3. Side Jamb	£193.56	<input type="radio"/> IDADSP01W	3. Side Jamb	£193.56	<input type="radio"/> IDADFSP01W	3. Side Jamb	£121.33
<input type="radio"/> IDADSP02W	4. Front Jamb	£68.56	<input type="radio"/> IDADP02W	4. Frame set	£88.00	<input type="radio"/> IDADFSP02W	4. Front Jamb	£77.22
<input type="radio"/> IDADP01W	5. Frame set	£88.00	<input type="radio"/> IDGRL4224W	5. Curtain rail	£41.66	<input type="radio"/> IDADFP01W	5. Frame set	£193.56
<input type="radio"/> IDGRL4224W	6. Curtain rail	£41.66	<input type="radio"/> IDGSS22	6. Curtain	£32.00	<input type="radio"/> IDGRL4224W	6. Curtain rail	£41.66
<input type="radio"/> IDGSS22	7. Curtain	£32.00	<input type="radio"/> IDIDD14	7. Ramp	£45.33	<input type="radio"/> IDIDD14	7. Ramp	£45.33
<input type="radio"/> IDIDD14	8. Ramp	£45.33						

Note: Spare parts for Impressions Collection Door Kits/Special Door Kits - Please refer to Technical Helpdesk on 01869 365500

### SYMBOLS:

Bulk/oversized item



Made to order (see P192)



Tel: 0800 917 0399

www.chilterninvadex.co.uk

Fax: +44 (0) 1869 365588

sales@chilterninvadex.co.uk

# DOVEDALE MK2 EASY ACCESS SHOWER (ABOVE FLOOR WASTE)

## HOW TO ORDER

- 1 CHOOSE SHOWER TRAY WASTE OUTLET POSITION (B OR C)
- 2 CHOOSE A COMBINED TRAY/DOOR KIT OPTION **G2** (this is a complete kit)
- 3 ADDITIONAL OPTION
  - P2** Shower waste pump kit (choose this option if a pump is required) - see p30-31

Door and enclosure kit contents:

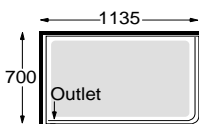
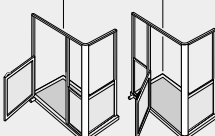
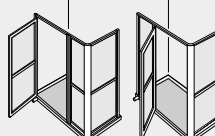
- Door and enclosure kit contents:
- Half height fixed panel (820mm height)
- Door set
- Full height assistance pole
- Curtain Track and Hooks to suit door option
- White Shower Curtain
- Grab Pole to L-shaped Curtain Rail (Grab Pole to Ceiling available as an option - additional £15. Please confirm height requirement)
- Fitting instructions

Shower tray contents:

- White shower tray (coloured shower trays available in any colour to special order. A £200 charge applies. Extended delivery times apply.)
- Fitting instructions
- See p130 for Shower units (optional extra)

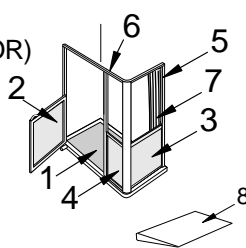
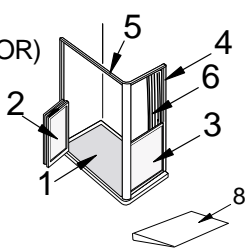
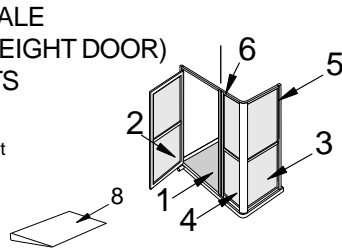
**IMPORTANT NOTE:** Trays and door kits on this page are supplied under one code as a complete kit.

## WASTE POSITIONS B&C To order tick the relevant circle and fax back.

1 SHOWER TRAY SIZE		2 SHOWER TRAY/ SINGLE DOOR KIT	SHOWER TRAY/ TRIFOLD DOOR KIT	SHOWER TRAY/ FULL HEIGHT DOOR	SHOWER TRAY/ IMPRESSIONS DOOR KIT
<b>WASTE POSITION B</b> 	Order as a complete tray & door kit using part no's shown right. Waste detail shown on p25 <b>G2</b>	<input type="radio"/> IDDDBHH Price £815 	<input type="radio"/> IDDDBTL Price £815 	<input type="radio"/> IDDDBFH Price £815 	<input type="radio"/> SEE PAGES 84-87 for the polished chrome (or white) & glass Impressions Collection range

1 SHOWER TRAY SIZE		2 SHOWER TRAY/ SINGLE DOOR KIT	SHOWER TRAY/ TRIFOLD DOOR KIT	SHOWER TRAY/ FULL HEIGHT DOOR	SHOWER TRAY/ IMPRESSIONS DOOR KIT
<b>WASTE POSITION C</b> 	Order as a complete tray & door kit using part no's shown right. Waste detail shown on p25 <b>G2</b>	<input type="radio"/> IDDDCHH Price £815 	<input type="radio"/> IDDDCTL Price £815 	<input type="radio"/> IDDDCFH Price £815 	<input type="radio"/> SEE PAGES 84-87 for the polished chrome (or white) & glass Impressions Collection range

## PARTS

DOVEDALE (SINGLE DOOR) OUTLETS A & D			DOVEDALE (TRIFOLD DOOR) OUTLETS A & D			DOVEDALE (FULL HEIGHT DOOR) OUTLETS A & D		
Note: Outlet position B Illustrated 			Note: Outlet position B Illustrated 			Note: Outlet position B Illustrated 		
DESCRIPTION	PART NUMBER	PRICE	DESCRIPTION	PART NUMBER	PRICE	DESCRIPTION	PART NUMBER	PRICE
<input type="radio"/> IDIDD16	1. Tray option B	£296.60	<input type="radio"/> IDIDD16	1. Tray option A	£296.60	<input type="radio"/> IDIDD16	1. Tray option B	£296.60
<input type="radio"/> IDIDD12	1. Tray option C	£296.60	<input type="radio"/> IDIDD12	1. Tray option D	£296.60	<input type="radio"/> IDIDD12	1. Tray option C	£296.60
<input type="radio"/> IDADDD01W	2. Door	£377.33	<input type="radio"/> IDADTD01W	2. Door	£439.89	<input type="radio"/> IDADFD01W	2. Door	£439.89
<input type="radio"/> IDADSP01W	3. Side Jamb	£95.56	<input type="radio"/> IDADSP01W	3. Side Jamb	£95.56	<input type="radio"/> IDADFSP01W	3. Side Jamb	£121.33
<input type="radio"/> IDADSP02W	4. Front Jamb	£68.56	<input type="radio"/> IDADP02W	4. Frame set	£126.22	<input type="radio"/> IDADFSP02W	4. Front Jamb	£77.22
<input type="radio"/> IDADP01W	5. Frame set	£88.00	<input type="radio"/> IDGRL4224W	5. Curtain rail	£41.66	<input type="radio"/> IDADFP01W	5. Frame set	£193.56
<input type="radio"/> IDGRL4224W	6. Curtain rail	£41.66	<input type="radio"/> IDGSS22	6. Curtain	£32.00	<input type="radio"/> IDGRL4224W	6. Curtain rail	£41.66
<input type="radio"/> IDGSS22	7. Curtain	£32.00	<input type="radio"/> IDIDD14	7. Ramp	£45.33	<input type="radio"/> IDIDD14	7. Ramp	£45.33
<input type="radio"/> IDIDD14	8. Ramp	£45.33						

Note: Spare parts for Impressions Collection Door Kits/Special Door Kits - Please refer to Technical Helpdesk on 01869 365500

### SYMBOLS:

Bulk/oversized item



Made to order (see P192)



Tel: 0800 917 0399

www.chilterninvadex.co.uk

Fax: +44 (0) 1869 365588

sales@chilterninvadex.co.uk

# EDALE MK2 EASY ACCESS SHOWER (ABOVE FLOOR WASTE)

## HOW TO ORDER

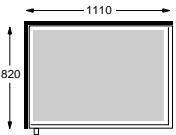
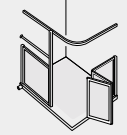
- 1 CHOOSE SHOWER TRAY**
- 2 CHOOSE A COMBINED TRAY/DOOR KIT OPTION G2 (this is a complete kit)**
- 3 ADDITIONAL OPTION**  
 Shower waste pump kit (choose this option if a pump is required) - see p30-31

- Door and enclosure kit contents:
- Half height fixed panel (820mm height)
  - Door set (c/w rising butt hinge on Tri-fold door)
  - Full height assistance pole
  - Curtain Track and Hooks to suit door option
  - White Shower Curtain
  - Grab Pole to L-shaped Curtain Rail (Grab Pole to Ceiling available as an option - additional £15. Please confirm height requirement)
  - Optional ramp shown in spare parts section
  - Fitting instructions

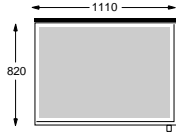
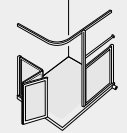
- Shower tray contents:
- White shower tray (coloured shower trays available in any colour to special order. A £200 charge applies. Extended delivery times apply.)
  - Tray Edging Cover Strip
  - Fitting instructions
  - See p130 for Shower units (optional extra)

**IMPORTANT NOTE:** Trays and door kits on this page are supplied under one code as a complete kit (excluding ramp).

## LEFT HAND To order tick the relevant circle and fax back.

1 SHOWER TRAY SIZE		2 SHOWER TRAY/ SINGLE DOOR	SHOWER TRAY/ TRIFOLD DOOR KIT	SHOWER TRAY/ FULL HEIGHT DOOR	SHOWER TRAY/ IMPRESSIONS DOOR KIT
<b>LEFT HAND EDALE</b> 	Order as a <input type="checkbox"/> <b>G2</b> complete tray & door kit using part no's shown right. Waste detail shown on p25	<input type="checkbox"/> NOT AVAILABLE	<input type="checkbox"/> <b>IDEDLHTL</b> Price £815 	<input type="checkbox"/> NOT AVAILABLE	<input type="checkbox"/> NOT AVAILABLE

## RIGHT HAND To order tick the relevant circle and fax back.

1 SHOWER TRAY SIZE		2 SHOWER TRAY/ SINGLE DOOR	SHOWER TRAY/ TRIFOLD DOOR KIT	SHOWER TRAY/ FULL HEIGHT DOOR	SHOWER TRAY/ IMPRESSIONS DOOR KIT
<b>RIGHT HAND EDALE</b> 	Order as a <input type="checkbox"/> <b>G2</b> complete tray & door kit using part no's shown right. Waste detail shown on p25	<input type="checkbox"/> NOT AVAILABLE	<input type="checkbox"/> <b>IDEDRHTL</b> Price £815 	<input type="checkbox"/> NOT AVAILABLE	<input type="checkbox"/> NOT AVAILABLE

## PARTS

DESCRIPTION	PART NUMBER	PRICE	DESCRIPTION	PART NUMBER	PRICE
<input type="checkbox"/> <b>IDIED10</b>	1. Tray	£262.40	<input type="checkbox"/> <b>IDIED12</b>	1. Tray	£262.40
<input type="checkbox"/> <b>IDAETD01W</b>	2. Door	£439.89	<input type="checkbox"/> <b>IDAETD02W</b>	2. Door	£439.89
<input type="checkbox"/> <b>IDAEJ01W</b>	3. Jamb panel	£193.56	<input type="checkbox"/> <b>IDAEJ02W</b>	3. Jamb panel	£193.56
<input type="checkbox"/> <b>IDAPK01W</b>	4. Pole set	£62.56	<input type="checkbox"/> <b>IDAPK02W</b>	4. Pole set	£62.56
<input type="checkbox"/> <b>IDAEPK01W</b>	5. Cross bar	£24.56	<input type="checkbox"/> <b>IDAEPK01W</b>	5. Cross bar	£24.56
<input type="checkbox"/> <b>IDGRL4230W</b>	6. Curtain rail	£40	<input type="checkbox"/> <b>IDGRL4230W</b>	6. Curtain rail	£40
<input type="checkbox"/> <b>IDGSS22</b>	7. Curtain	£32	<input type="checkbox"/> <b>IDGSS22</b>	7. Curtain	£32
<input type="checkbox"/> <b>IDIEDR14</b>	8. Ramp	£39	<input type="checkbox"/> <b>IDIEDR14</b>	8. Ramp	£39

### SYMBOLS:

Bulk/oversized item



Made to order (see P192)



Tel: 0800 917 0399

www.chilterninvadex.co.uk

Fax: +44 (0) 1869 365588

sales@chilterninvadex.co.uk