

TECHNICAL INFORMATION



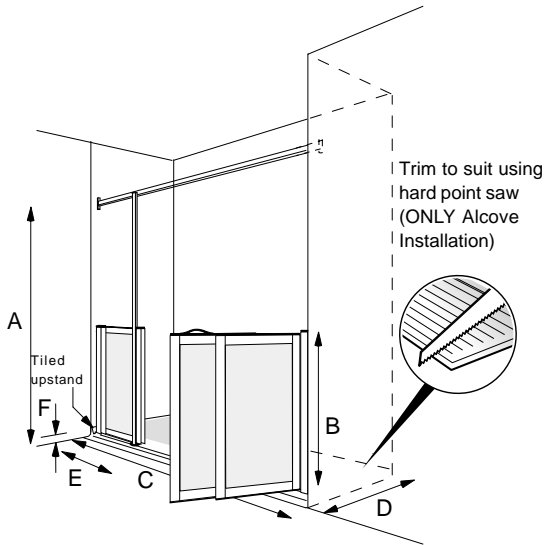
SHOWER TRAY & ENCLOSURE SPECIFICATION GUIDE

- LEVEL ACCESS
- EASY ACCESS
- STEP-IN

SHOWER TRAY SPECIFICATION GUIDE - LEVEL ACCESS

See pages 54-55 for details of How to order

SANDWELL MK3 655 MODEL (SLIDE & FOLD DOOR - ALCOVE INSTALLATION)



Left hand shower tray Illustrated

SHOWER CHAIR COMPATIBILITY



Self propelled models



Attendant propelled models

REF	DIMENSIONS	SANDWELL 655 LEFT HAND TRAY	JAMB DETAIL
A	1950		Plan view 484mm
B	820		
C	1850**		
D	715		
E	299		
F	65		
Thick black line denotes wall position			
REF	DIMENSIONS	SANDWELL 655 RIGHT HAND TRAY	JAMB DETAIL
A	1950		Plan view 484mm
B	820		
C	1850**		
D	715		
E	299		
F	65		
Thick black line denotes wall position			

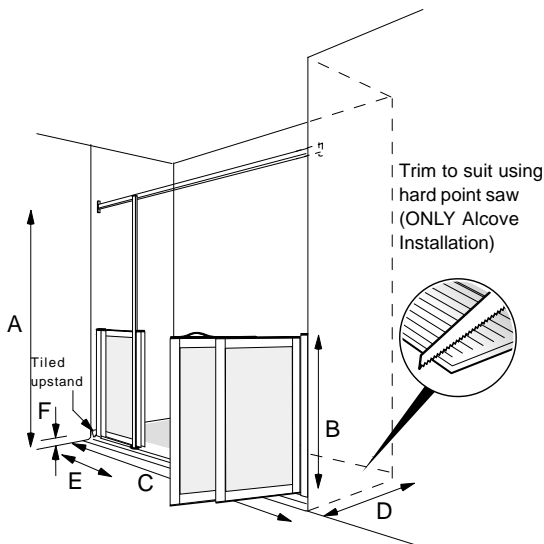
Notes

Door size: 1800mm (including jamb)

Internal showering area: L= 1800mm x W=635mm

- Dimension A is to the top of the assistance pole (from the shower tray). A 2.5m floor to ceiling, or 2.5m floor to curtain rail pole (to special order) are also available (both can be trimmed).
 - The Sandwell 655 is supplied with edging strips for use with a suitable Altro flooring system - (only one strip is used for alcove installation on the longest edge (C). Add 30mm to dimension C.
 - Dimensions C&D are measured from the face of the tiling lip
 - The drying area length can be cut to suit - to a minimum of 1200mm. It is recommended that trays which have been trimmed should be used in an **alcove installation only**
- * Dimension indicates position that door will fold to before encroaching on the back wall
 ** Stud wall to be built onto drying area leaving a maximum dimension tile to tile of 1800mm.

SANDWELL MK3 760 MODEL (SLIDE & FOLD DOOR - ALCOVE INSTALLATION)



Left hand shower tray Illustrated

SHOWER CHAIR COMPATIBILITY



Self propelled models



Attendant propelled models

REF	DIMENSIONS	SANDWELL 760 LEFT HAND TRAY	JAMB DETAIL
A	1950		Plan view 484mm
B	834		
C	1850**		
D	820		
E	299		
F	65		
Thick black line denotes wall position			
REF	DIMENSIONS	SANDWELL 760 RIGHT HAND TRAY	JAMB DETAIL
A	1950		Plan view 484mm
B	834		
C	1850**		
D	820		
E	299		
F	65		
Thick black line denotes wall position			

Notes

Door size: 1800mm (including jamb)

Internal showering area: L= 1800mm x W=740mm

- Dimension A is to the top of the assistance pole (from the shower tray). A 2.5m floor to ceiling, or 2.5m floor to curtain rail pole (to special order) are also available (both can be trimmed).
 - The Sandwell 760 is supplied with edging strips for use with a suitable Altro flooring system - (only one strip is used for alcove installation on the longest edge (C). Add 30mm to dimension C.
 - Dimensions C&D are measured from the face of the tiling lip
 - The drying area length can be cut to suit - to a minimum of 1200mm. It is recommended that trays which have been trimmed should be used in an **alcove installation only**
- ** Stud wall to be built onto drying area leaving a maximum dimension tile to tile of 1800mm.

SYMBOLS:

Bulk/oversized item



Made to order (see P192)



Tel: 0800 917 0399

www.chilterninvadex.co.uk

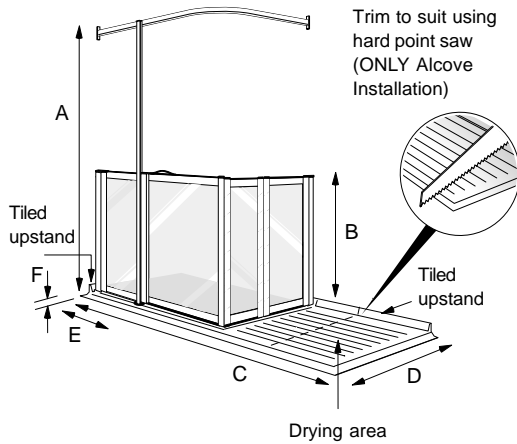
Fax: +44 (0) 1869 365588

sales@chilterninvadex.co.uk

SHOWER TRAY SPECIFICATION GUIDE - LEVEL ACCESS

See pages 54-55 for details of How to order

SANDWELL MK3 655 MODEL (TRIFOLD DOOR - CORNER INSTALLATION*)



Left hand shower tray Illustrated

SHOWER CHAIR COMPATIBILITY



Self propelled models



Attendant propelled models

REF	DIMENSIONS	SANDWELL 655 LEFT HAND TRAY	JAMB DETAIL
A	1950		
B	834		
C	1850		
D	715		
E	299		
F	65		
Thick black line denotes wall position			
REF	DIMENSIONS	SANDWELL 655 RIGHT HAND TRAY	JAMB DETAIL
A	1950		
B	834		
C	1850		
D	715		
E	299		
F	65		
Thick black line denotes wall position			

Notes

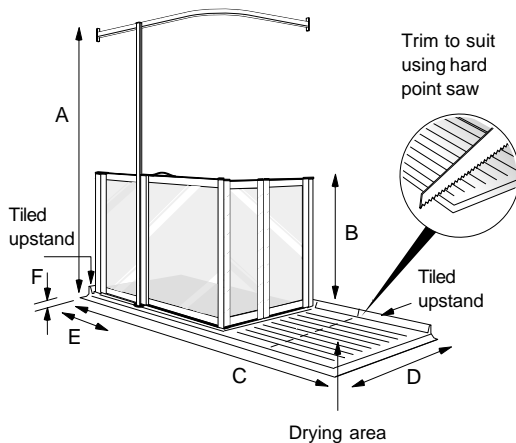
Door size: 1000mm x 655mm (including jamb)

Internal showering area: L= 980mm x W=635mm

- Dimension A is to the top of the assistance pole (from the shower tray). A 2500mm floor to ceiling, or 2500mm floor to curtain rail pole are also available (both can be trimmed)
- The Sandwell 655 is supplied with edging strips for use with a suitable Altro flooring system. Add 30mm to dimensions C&D
- Dimensions C&D are measured from the face of the tiling lip
- The drying area length can be cut to suit - to a minimum of 1200mm. It is recommended that trays which have been trimmed should be used in an **alcove installation only**
- Rising butt hinge lifts the door 7mm and incorporates a 180 degree hinge to allow full flexibility

* May be used on alcove installation if required. Stud wall to be built onto drying area leaving a maximum dimension tile to tile of 1800mm.

SANDWELL MK3 760 MODEL (TRIFOLD DOOR - CORNER INSTALLATION*)



Left hand shower tray Illustrated

SHOWER CHAIR COMPATIBILITY



Self propelled models



Attendant propelled models

* May be used on alcove installation if required. Stud wall to be built onto drying area leaving a maximum dimension tile to tile of 1800mm.

REF	DIMENSIONS	SANDWELL 760 LEFT HAND TRAY	JAMB DETAIL
A	1950		
B	834		
C	1850		
D	820		
E	299		
F	65		
Thick black line denotes wall position			
REF	DIMENSIONS	SANDWELL 760 RIGHT HAND TRAY	JAMB DETAIL
A	1950		
B	834		
C	1850		
D	820		
E	299		
F	65		
Thick black line denotes wall position			

Notes

Door size: 1000mm x 760mm (including jamb)

Internal showering area: L= 980mm x W=740mm

- Dimension A is to the top of the assistance pole (from the shower tray). A 2500mm floor to ceiling, or 2500mm floor to curtain rail pole are also available (both can be trimmed)
- The Sandwell 760 is supplied with edging strips for use with a suitable Altro flooring system. Add 30mm to dimensions C&D
- Dimensions C&D are measured from the face of the tiling lip
- The drying area length can be cut to suit - to a minimum of 1200mm. It is recommended that trays which have been trimmed should be used in an **alcove installation only**
- Rising butt hinge lifts the door 7mm and incorporates a 180 degree hinge to allow full flexibility

SYMBOLS:

Bulk/oversized item



Made to order (see P192)



Tel: 0800 917 0399

www.chilterninvadex.co.uk

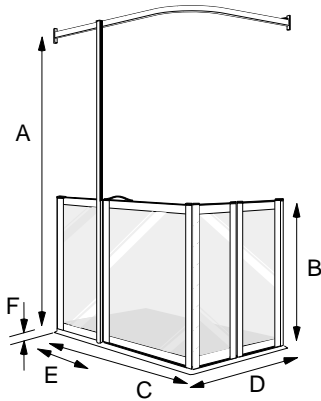
Fax: +44 (0) 1869 365588

sales@chilterninvadex.co.uk

SHOWER TRAY SPECIFICATION GUIDE - LEVEL ACCESS

See pages 56-57 for details of How to order

WESTDALE 655 MODEL



Left hand shower tray Illustrated

SHOWER CHAIR COMPATIBILITY



Self propelled models



Attendant propelled models

REF	DIMENSIONS	WESTDALE 655 LEFT HAND TRAY	JAMB DETAIL
A	1950		
B	834		
C	1165		
D	720		
E	400		
F	65		
Thick black line denotes wall position			
REF	DIMENSIONS	WESTDALE 655 RIGHT HAND TRAY	JAMB DETAIL
A	1950		
B	834		
C	1165		
D	720		
E	400		
F	65		
Thick black line denotes wall position			

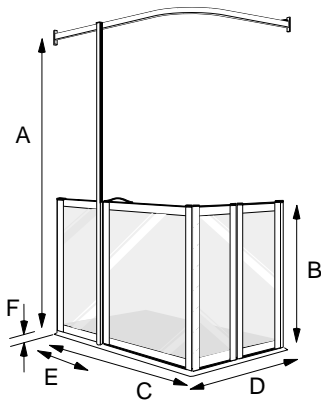
Notes

Door size: 1115mm x 655mm (including jamb)

Internal showering area: L= 1095mm x W=635mm

- Dimension A is to the top of the assistance pole (from the shower tray). A 2500mm floor to ceiling, or 2500mm floor to curtain rail pole are also available (both can be trimmed)
- The Westdale 655 is supplied with edging strips for use with a suitable Altro flooring system. Add 30mm to dimensions C&D
- Dimensions C&D are measured from the face of the tiling lip
- Rising butt hinge lifts the door 7mm and incorporates a 180 degree hinge to allow full flexibility

WESTDALE 760 MODEL



Left hand shower tray Illustrated

SHOWER CHAIR COMPATIBILITY



Self propelled models



Attendant propelled models

REF	DIMENSIONS	WESTDALE 760 LEFT HAND TRAY	JAMB DETAIL
A	1950		
B	834		
C	1165		
D	825		
E	400		
F	65		
Thick black line denotes wall position			
REF	DIMENSIONS	WESTDALE 760 RIGHT HAND TRAY	JAMB DETAIL
A	1950		
B	834		
C	1165		
D	825		
E	400		
F	65		
Thick black line denotes wall position			

Notes

Door size: 1115mm x 760mm (including jamb)

Internal showering area: L= 1095mm x W=740mm

- Dimension A is to the top of the assistance pole (from the shower tray). A 2500mm floor to ceiling, or 2500mm floor to curtain rail pole are also available (both can be trimmed)
- The Westdale 760 is supplied with edging strips for use with a suitable Altro flooring system. Add 30mm to dimensions C&D
- Dimensions C&D are measured from the face of the tiling lip
- Rising butt hinge lifts the door 7mm and incorporates a 180 degree hinge to allow full flexibility

SYMBOLS:

Bulk/oversized item



Made to order (see P192)



Tel: 0800 917 0399

www.chilterninvadex.co.uk

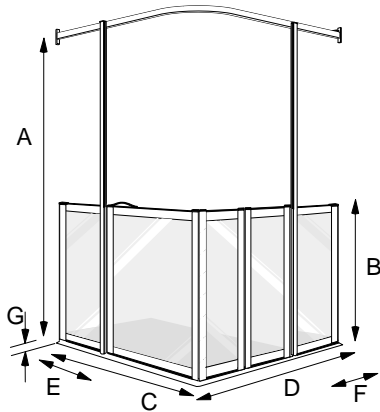
Fax: +44 (0) 1869 365588

sales@chilterninvadex.co.uk

SHOWER TRAY SPECIFICATION GUIDE - LEVEL ACCESS

See pages 58-59 for details of How to order

WESTDALE 850 MODEL



Left hand shower tray Illustrated

REF	DIMENSIONS	WESTDALE 850 LEFT HAND TRAY	JAMB DETAIL
A	1950		
B	820		
C	1270		
D	915		
E	499		
F	149		
G	65		
		Thick black line denotes wall position	

Notes

Door size: 1200mm x 850mm (including jamb)

Internal showering area: L= 1180mm x W=830mm

1. Dimension A is to the top of the assistance pole (from the shower tray). 2500mm floor to ceiling, or 2500mm floor to curtain rail poles (both to special order) are also available (both can be trimmed)
2. The Westdale 850 is supplied with an edging strip. Add 30mm to dimensions C&D
3. Dimensions C&D are measured from the face of the tiling lip

SHOWER CHAIR COMPATIBILITY

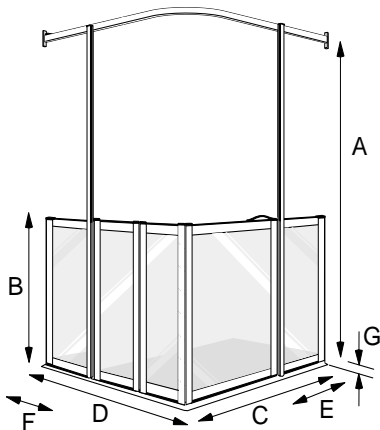


Self propelled models



Attendant propelled models

WESTDALE 850 MODEL



Right hand shower tray Illustrated

REF	DIMENSIONS	WESTDALE 850 RIGHT HAND TRAY	JAMB DETAIL
A	1950		
B	820		
C	1270		
D	915		
E	499		
F	149		
G	65		
		Thick black line denotes wall position	

Notes

Door size: 1200mm x 850mm (including jamb)

Internal showering area: L= 1180mm x W=830mm

1. Dimension A is to the top of the assistance pole (from the shower tray). 2500mm floor to ceiling, or 2500mm floor to curtain rail poles (both to special order) are also available (both can be trimmed)
2. The Westdale 850 is supplied with an edging strip. Add 30mm to dimensions C&D
3. Dimensions C&D are measured from the face of the tiling lip

SHOWER CHAIR COMPATIBILITY



Self propelled models



Attendant propelled models

SYMBOLS:

Bulk/oversized item



Made to order (see P192)



Tel: 0800 917 0399

www.chilterninvadex.co.uk

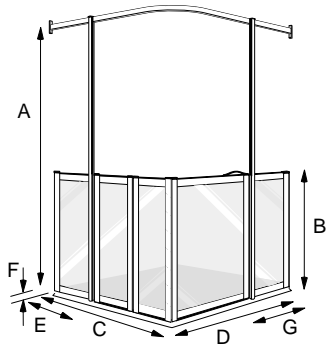
Fax: +44 (0) 1869 365588

sales@chilterninvadex.co.uk

SHOWER TRAY SPECIFICATION GUIDE - LEVEL ACCESS

See page 60 for details of How to order

WESTDALE 1000 MODEL



Tray not handed
Left hand door Illustrated

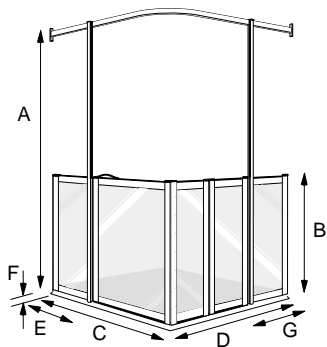
Ref	Dimensions	WESTDALE 1000 LEFT HAND DOOR	JAMB DETAIL
A	1950		
B	820		
C	1065		
D	1065		
E	299		
F	65		
G	299		
Thick black line denotes wall position			

Notes

Door size: 1000mm x 1000mm (including jamb)

Internal showering area: L=980mm x W=980mm

1. Dimension A is to the top of the assistance pole (from the shower tray). 2500mm floor to ceiling, or 2500mm floor to curtain rail poles (both to special order) are also available (both can be trimmed)
2. The Westdale 1000 is supplied with an edging strip. Add 30mm to dimensions C&D
3. Dimensions C&D are measured from the face of the tiling lip



Tray not handed
Right hand door Illustrated

Ref	Dimensions	WESTDALE 1000 RIGHT HAND DOOR	JAMB DETAIL
A	1950		
B	820		
C	1065		
D	1065		
E	299		
F	65		
G	299		
Thick black line denotes wall position			

Notes

Door size: 1000mm x 1000mm (including jamb)

Internal showering area: L=980mm x W=980mm

1. Dimension A is to the top of the assistance pole (from the shower tray). 2500mm floor to ceiling, or 2500mm floor to curtain rail poles (both to special order) are also available (both can be trimmed)
2. The Westdale 1000 is supplied with an edging strip. Add 30mm to dimensions C&D
3. Dimensions C&D are measured from the face of the tiling lip

SHOWER CHAIR COMPATIBILITY



Self propelled models



Attendant propelled models

SYMBOLS:

Bulk/oversized item



Made to order (see P192)



Tel: 0800 917 0399

www.chilterninvadex.co.uk

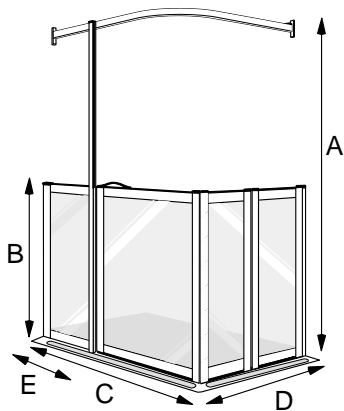
Fax: +44 (0) 1869 365588

sales@chilterninvadex.co.uk

SHOWER TRAY SPECIFICATION GUIDE - LEVEL ACCESS

See pages 61-62 for details of How to order

CARDALE MK2 MODEL



Left hand shower tray Illustrated

SHOWER CHAIR COMPATIBILITY (ALL MODELS)



Self propelled models



Attendant propelled models

REF	DIMENSIONS	CARDALE MK2 LEFT HAND TRAY	JAMB DETAIL
A	1830		
B	820		
C	1340		
D	795		
E	598		
Thick black line denotes wall position			
REF	DIMENSIONS	CARDALE MK2 RIGHT HAND TRAY	JAMB DETAIL
A	1830		
B	820		
C	1340		
D	795		
E	598		
Thick black line denotes wall position			

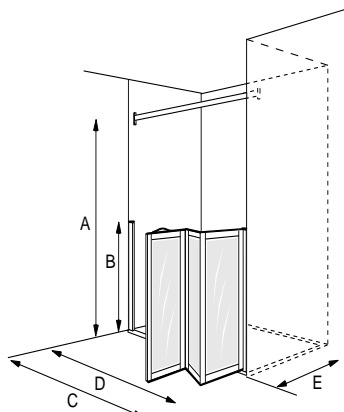
Notes

Door size 1255mm x 707mm (including Jamb)

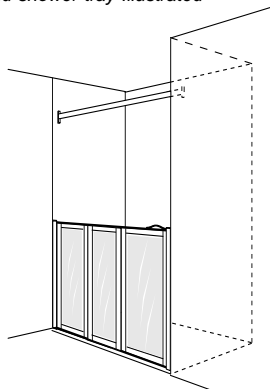
Internal showering area: L= 1235mm x W=687mm

1. Dimension A is to the top of the assistance pole (from the shower tray). 2500mm floor to ceiling, or 2500mm floor to curtain rail poles (both to special order) are also available (both can be trimmed)
2. The Cardale MK2 is supplied with edging strips. Add 30mm to dimensions C&D
3. Dimensions C&D are measured from the face of the tiling lip

CARDALE MK2 MODEL (ALCOVE)



Left hand shower tray Illustrated



Right hand shower tray Illustrated

REF	DIMENSIONS	CARDALE MK2 LEFT HAND TRAY	JAMB DETAIL
A	1830		No jamb
B	820		
C	1340		
D	1240		
E	795		
Thick black line denotes wall position			
REF	DIMENSIONS	CARDALE MK2 RIGHT HAND TRAY	JAMB DETAIL
A	1830		No jamb
B	820		
C	1340		
D	1240		
E	795		
Thick black line denotes wall position			

Notes

Door size 1240mm

Internal showering area: L= 1240mm x W=687mm

* Only straight tri-fold door available.

1. Dimension A is to the curtain rail (variable; shown for example)
2. The Cardale MK2 is supplied with edging strips. Add 30mm to dimension E
3. Dimensions C&D are measured from the face of the tiling lip
4. Incorporates a 180 degree hinge to allow full flexibility
5. Stud wall to be built onto tray leaving a maximum dimension tile to tile of 1240mm.

SYMBOLS:

Bulk/oversized item



Made to order (see P192)



Tel: 0800 917 0399

www.chilterninvadex.co.uk

Fax: +44 (0) 1869 365588

sales@chilterninvadex.co.uk