

SHOWER CUBICLE RANGE

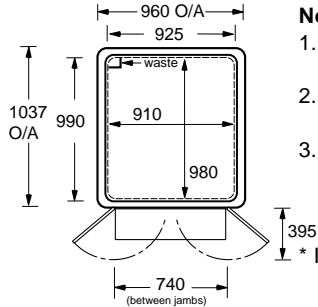
SHOWER CUBICLE SELECTOR -FRONT ENTRY CUBICLES

Use this shower tray selector to choose the cubicle base size required.

FRONT ENTRY 100MK2 SHOWER CUBICLE

Ramp size
780mm Width x
200mm Depth

**Model 100MK2
(Standard doors)**



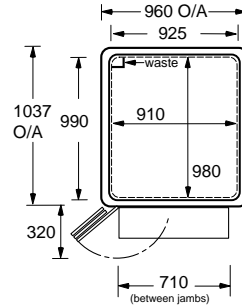
See page 96 for technical information and details of How to order

Notes:

1. Add 50mm at rear of cubicle to allow for waste hose*
2. Add 100mm to width to allow for shower unit services
3. Allow as much space as possible to gain access to services for routine maintenance.

* If pumped version

**Model 100MK2
(Tri-fold doors)**

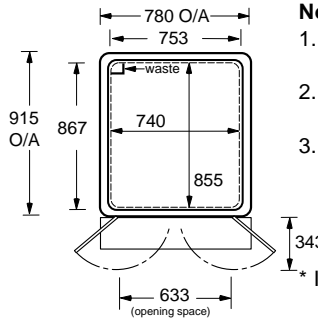


Note:
Left hand trifold illustrated. Right hand version available.

FRONT ENTRY SHOWER CUBICLE - MODEL 75

Ramp size
775mm Width x
220mm Depth

**Model 75
(Standard doors)**



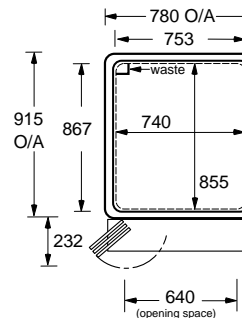
See page 97 for technical information and details of How to order

Notes:

1. Add 50mm at rear of cubicle to allow for waste hose*
2. Add 100mm to width to allow for shower unit services
3. Allow as much space as possible to gain access to services for routine maintenance.

* If pumped version

Model 75 (Tri-fold doors)

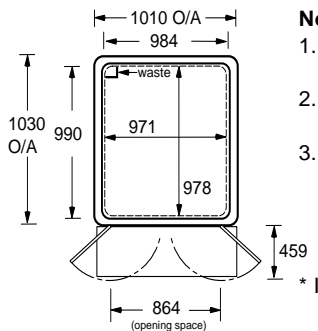


Note:
Left hand trifold illustrated. Right hand version available.

FRONT ENTRY SHOWER CUBICLE - MODEL 101

Ramp size
1000mm Width x
430mm Depth

**Model 101
(Standard doors)**



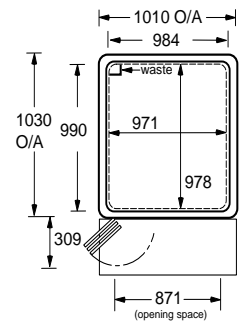
See page 98 for technical information and details of How to order

Notes:

1. Add 50mm at rear of cubicle to allow for waste hose*
2. Add 100mm to width to allow for shower unit services
3. Allow as much space as possible to gain access to services for routine maintenance.

* If pumped version

**Model 101
(Tri-fold doors)**

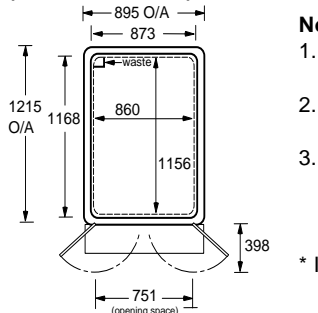


Note:
Left hand trifold illustrated. Right hand version available.

FRONT ENTRY SHOWER CUBICLE - MODEL 120

Ramp size
890mm Width x
220mm Depth

**Model 120
(Standard doors)**



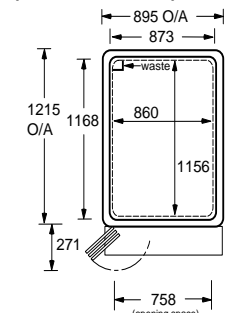
See page 99 for technical information and details of How to order

Notes:

1. Add 50mm at rear of cubicle to allow for waste hose*
2. Add 100mm to width to allow for shower unit services
3. Allow as much space as possible to gain access to services for routine maintenance.

* If pumped version

**Model 120
(Tri-fold doors)**



Note:
Left hand trifold illustrated. Right hand version available.

SYMBOLS:

Bulk/oversized item



Made to order (see P192)



Tel: 0800 917 0399

www.chilterninvadex.co.uk

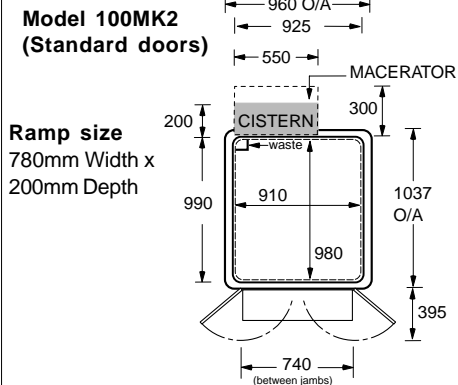
Fax: +44 (0) 1869 365588

sales@chilterninvadex.co.uk

SHOWER CUBICLE SELECTOR -FRONT ENTRY TOILET CUBICLES

Use this shower tray selector to choose the cubicle base size required.

FRONT ENTRY 100MK2 SHOWER TOILET CUBICLE

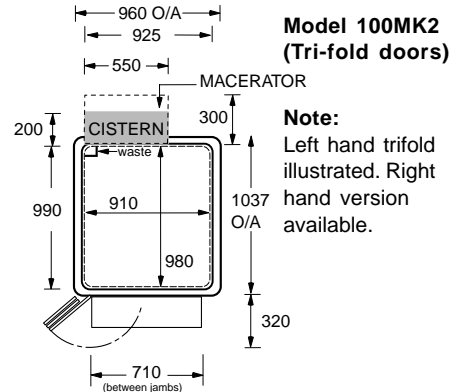


See page 104 for technical information and details of How to order

Notes:

1. Add 50mm at rear of cubicle to allow for waste hose*
2. Add 100mm to width to allow for shower unit services
3. Allow as much space as possible to gain access to services for routine maintenance.

* If pumped version

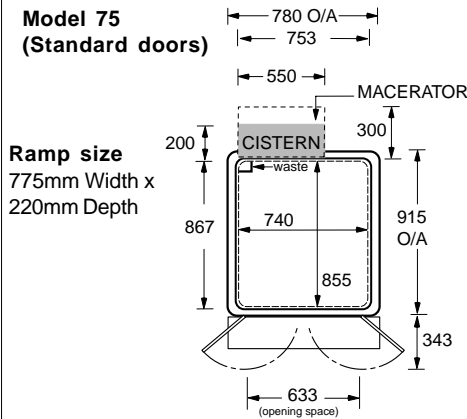


Model 100MK2 (Tri-fold doors)

Note:

Left hand trifold illustrated. Right hand version available.

FRONT ENTRY SHOWER TOILET CUBICLE - MODEL 75

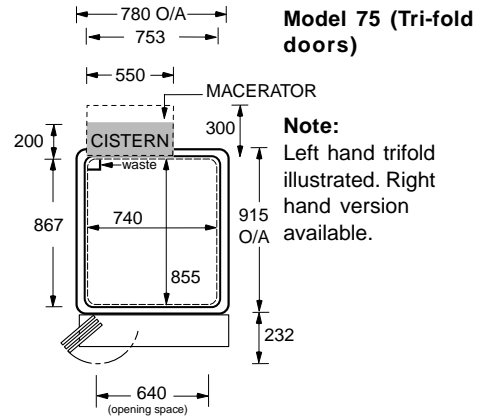


See page 105 for technical information and details of How to order

Notes:

1. Add 50mm at rear of cubicle to allow for waste hose*
2. Add 100mm to width to allow for shower unit services
3. Allow as much space as possible to gain access to services for routine maintenance.

* If pumped version

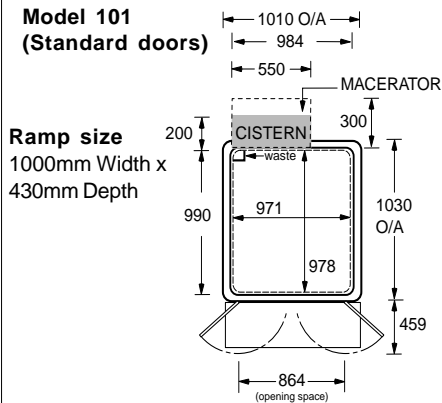


Model 75 (Tri-fold doors)

Note:

Left hand trifold illustrated. Right hand version available.

FRONT ENTRY SHOWER TOILET CUBICLE - MODEL 101

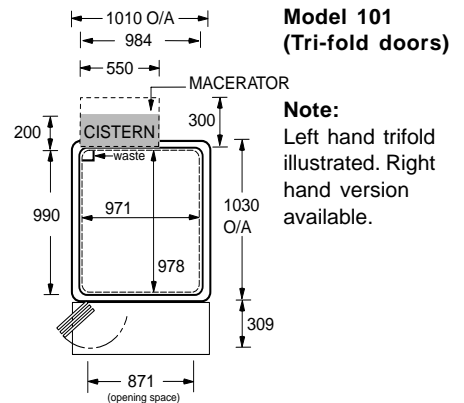


See page 106 for technical information and details of How to order

Notes:

1. Add 50mm at rear of cubicle to allow for waste hose*
2. Add 100mm to width to allow for shower unit services
3. Allow as much space as possible to gain access to services for routine maintenance.

* If pumped version

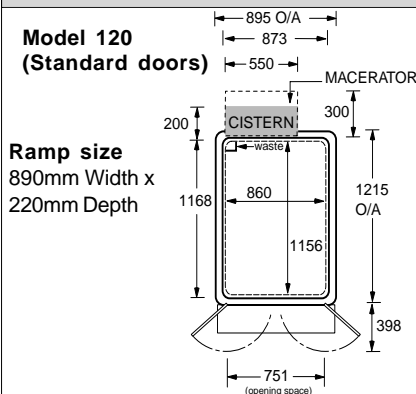


Model 101 (Tri-fold doors)

Note:

Left hand trifold illustrated. Right hand version available.

FRONT ENTRY SHOWER TOILET CUBICLE - MODEL 120

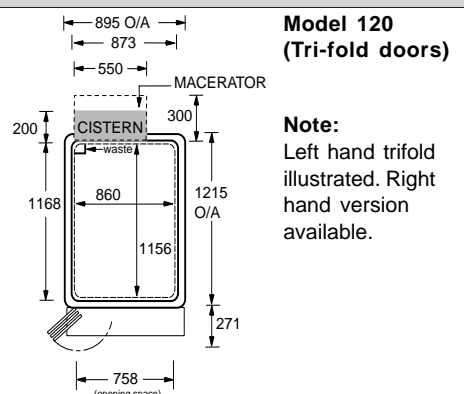


See page 107 for technical information and details of How to order

Notes:

1. Add 50mm at rear of cubicle to allow for waste hose*
2. Add 100mm to width to allow for shower unit services
3. Allow as much space as possible to gain access to services for routine maintenance.

* If pumped version



Model 120 (Tri-fold doors)

Note:

Left hand trifold illustrated. Right hand version available.

SYMBOLS:

Bulk/oversized item



Made to order (see P192)



Tel: 0800 917 0399

www.chilterninvadex.co.uk

Fax: +44 (0) 1869 365588

sales@chilterninvadex.co.uk

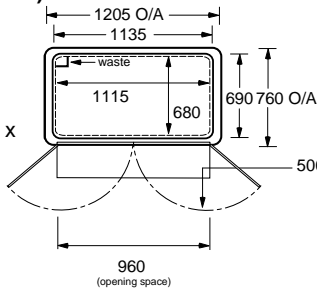
SHOWER CUBICLE SELECTOR - SIDE ENTRY CUBICLES

Use this shower tray selector to choose the cubicle base size required.

SIDE ENTRY MK2 SHOWER CUBICLE

SIDE ENTRY MK2 (Standard doors)

Ramp size
1025mm Width x
250mm Depth



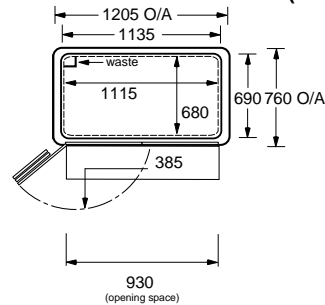
See page 100 for technical information
and details of How to order

Notes:

1. Add 50mm at rear of cubicle to allow for waste hose*
2. Add 100mm to width to allow for shower unit services
3. Allow as much space as possible to gain access to services for routine maintenance.

* If pumped version

SIDE ENTRY MK2 (Tri-fold doors)



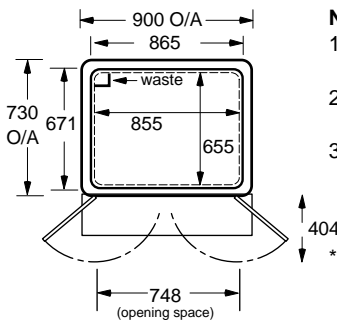
Note:

Left hand trifold illustrated. Right hand version available.

SLIMLINE SIDE ENTRY SHOWER CUBICLE

Slimline Side Entry (Standard doors)

Ramp size
900mm Width
x 220mm
Depth



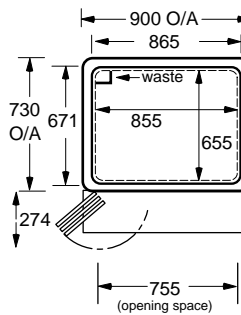
See page 101 for technical information
and details of How to order

Notes:

1. Add 50mm at rear of cubicle to allow for waste hose*
2. Add 100mm to width to allow for shower unit services
3. Allow as much space as possible to gain access to services for routine maintenance.

* If pumped version

Slimline Side Entry (Tri-fold doors)

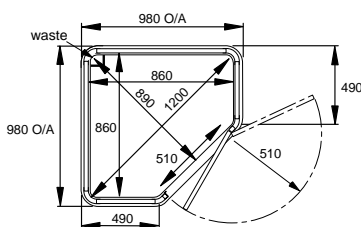


Note:

Left hand trifold illustrated. Right hand version available.

SHOWER CUBICLE SELECTOR - CORNER CUBICLE

CORNER CUBICLE



Notes:

1. Add 50mm at rear of cubicle to allow for waste hose
2. Add 100mm to width to allow for shower unit services
3. Allow as much space as possible to gain access to services for routine maintenance.

Note:

Right hand door illustrated. Left hand version available. Half, stable and full height options also available.

See page 102 for technical information
and details of How to order

SYMBOLS:

Bulk/oversized item



Made to order (see P192)



Tel: 0800 917 0399

www.chilterninvadex.co.uk

Fax: +44 (0) 1869 365588

sales@chilterninvadex.co.uk

SHOWER CUBICLE SELECTOR - SIDE ENTRY TOILET CUBICLES

Use this shower tray selector to choose the cubicle base size required.

SIDE ENTRY MK2 SHOWER TOILET CUBICLE

SIDE ENTRY MK2 (Standard doors)

SIDE ENTRY MK2 (Tri-fold doors)

See page 108 for technical information and details of How to order

Notes:

1. Add 50mm at rear of cubicle to allow for waste hose*
2. Add 100mm to width to allow for shower unit services
3. Allow as much space as possible to gain access to services for routine maintenance.

* If pumped version

Note: Left hand trifold illustrated. Right hand version available.

SHOWER CHAIR CUBICLE COMPATIBILITY

CUBICLE MODEL	AQUAMASTER SHOWER CHAIR MODEL				TRANSAQUA SHOWER CHAIR MODEL					
	A02	A06	A08	A11	TA18AP	TA21SP	TA21AP	TA21AP	TA18SP LWB	TA21SP LWB
FRONT ENTRY										
Model 75	✓*	✗*	✗*	✗*	✗*	✗*	✗*	✗*	✗*	✗*
Model 101	✓*	✓*	✓*	✗*	✓*	✓*	✗*	✗*	✗*	✗*
Model 120	✓*	✓*	✓*	✓*	✓*	✓*	✓*	✗*	✗*	✗*
Model 100MK2	✓*	✓*	✓*^	✗*	✓*	✓*	✗*	✗*	✗*	✗*
SIDE ENTRY										
Side Entry MK2	✓*	✗*	✗*	✗*	✗*	✗*	✗*	✗*	✗*	✗*
Slimline Side Entry MK2	✓*	✗*	✗*	✗*	✗*	✗*	✗*	✗*	✗*	✗*
CORNER CUBICLE										
Corner Cubicle	✗*	✗*	✗*	✗*	✗*	✗*	✗*	✗*	✗*	✗*

*See page 109 for suitable tip-up shower seat/bench seat/stool compatibility

^ 21" Model - standard door option only

LWB= Long wheel base

SHOWER CHAIR CUBICLE TOILET COMPATIBILITY

CUBICLE MODEL	AQUAMASTER SHOWER CHAIR MODEL				TRANSAQUA SHOWER CHAIR MODEL					
	A02	A06	A08	A11	TA18AP	TA21SP	TA21AP	TA21AP	TA18SP LWB	TA21SP LWB
FRONT ENTRY										
Model 75	✓	✗	✗	✗	✗	✗	✗	✗	✗	✗
Model 101	✓	✓	✓	✗	✓	✓	✗	✗	✗	✗
Model 120	✓	✓	✓	✓	✓	✓	✓	✗	✗	✗
Model 100MK2	✓	✓	✓^	✗	✓	✓	✗	✗	✗	✗
SIDE ENTRY										
Side Entry MK2	✓	✗	✗	✗	✗	✗	✗	✗	✗	✗
Slimline Side Entry MK2	No Shower cubicle toilet option									
CORNER CUBICLE										
Corner Cubicle	No Shower cubicle toilet option									

^ 21" Model - standard door option only

LWB= Long wheel base

Note: All Shower Cubicle Toilet models are **unsuitable** for tip-up shower seat/bench seat/stool compatibility

SYMBOLS:

Bulk/oversized item



Made to order (see P192)



Tel: 0800 917 0399

www.chilterninvadex.co.uk

Fax: +44 (0) 1869 365588

sales@chilterninvadex.co.uk

FRONT ENTRY SHOWER CUBICLE 100MK2

Cubicle kit contents:

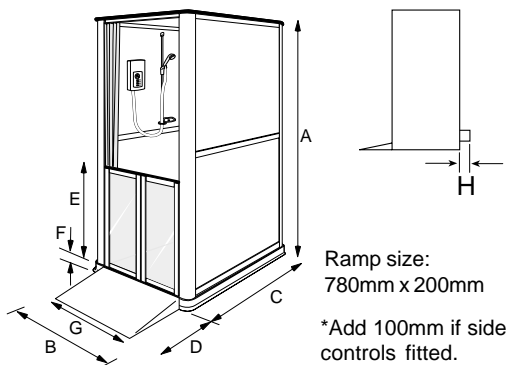
- White Shower Tray
- Full height enclosure pack
- Door set - half height (not handed) or tri-fold (left or right hand) doors
- Curtain Track and Hooks (to suit door option)
- White Shower Curtain
- Detachable ramp
- Grab rails
- Shower unit options shown on p130 (not included in package price)
- Fitting instructions

HOW TO ORDER

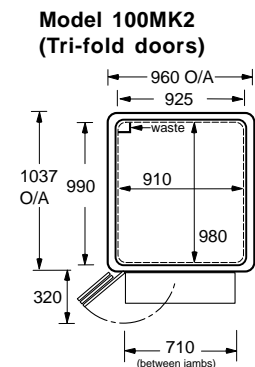
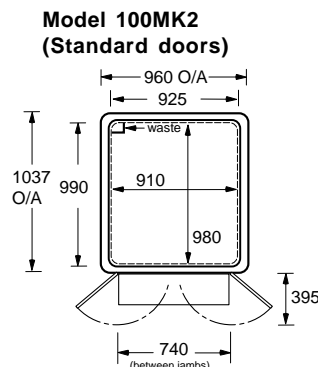


	Option 1	Option 2	Option 3
Cubicle description	Half height door	Trifold (Left hand)	Trifold (Right hand)
100MK2 Cubicle with pumped waste	Part no: SHCU100PW Price: £1510.00	Part no: SHCU100PW Price: £1510.00	Part no: SHCU100PW Price: £1510.00
100MK2 with gravity waste	Part no: SHCU100G Price: £1275.00	Part no: SHCU100G Price: £1275.00	Part no: SHCU100G Price: £1275.00

Technical information



Ref	Dimensions
A	2015
B	960*
C	1037
D	200
E	810
F	45
G	780
H	50



Shower chair compatibility

See page 95 for shower chair compatibility options

Notes: Dimensions are for doors fully open.

Internal dimensions: The width is measured from acrylic panel to acrylic panel. The depth is taken from the back acrylic panel to the inner face of the door.

Chiltern Invadex shower cubicles are available with a large range of options and accessories, allowing the cubicle to be configured to suit specific client requirements. A quick order form is available to help select the appropriate options. Please contact Customer Service for details or to arrange a visit by a Technical Sales Representative.

SYMBOLS:

Bulk/oversized item



Made to order (see P192)



Tel: 0800 917 0399

www.chilterninvadex.co.uk

Fax: +44 (0) 1869 365588

sales@chilterninvadex.co.uk

FRONT ENTRY SHOWER CUBICLE MODEL 75

Cubicle kit contents:

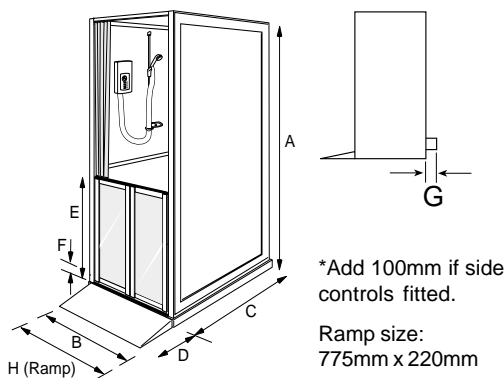
- White Shower Tray with fixed ramp
- Enclosure pack
- Door set - half height (not handed) or tri-fold (left or right hand) doors
- Curtain Track and Hooks (to suit door option)
- White Shower Curtain
- Grab rails
- Shower unit options shown on p130 (not included in package price)
- Fitting instructions

HOW TO ORDER



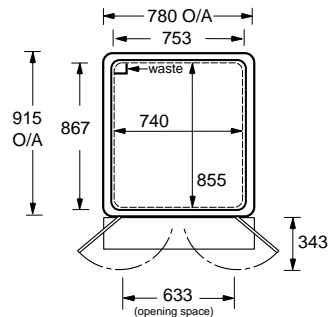
	Option 1	Option 2	Option 3
Cubicle description	Half height door	Trifold (Left hand)	Trifold (Right hand)
75 Cubicle with pumped waste	Part no: SHCU75PW Price: £1510.00	Part no: SHCU75PW Price: £1510.00	Part no: SHCU75PW Price: £1510.00
75 with gravity waste	Part no: SHCU75G Price: £1275.00	Part no: SHCU75G Price: £1275.00	Part no: SHCU75G Price: £1275.00

Technical information

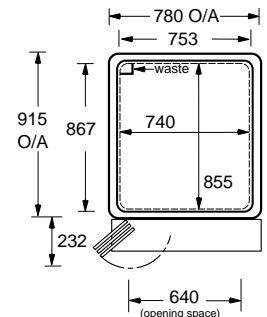


Ref	Dimensions
A	1900
B	780*
C	930
D	215
E	810
F	70
G	50
H	775

Model 75 (Standard doors)



Model 75 (Tri-fold doors)



Shower chair compatibility

See page 95 for shower chair compatibility options

Note: Dimensions are for doors fully open.

Internal dimensions: The width is measured from acrylic panel to acrylic panel. The depth is taken from the back acrylic panel to the inner face of the door.

Chiltern Invadex shower cubicles are available with a large range of options and accessories, allowing the cubicle to be configured to suit specific client requirements. A quick order form is available to help select the appropriate options. Please contact Customer Service for details or to arrange a visit by a Technical Sales Representative.

SYMBOLS:

Bulk/oversized item



Made to order (see P192)



Tel: 0800 917 0399

www.chilterninvadex.co.uk

Fax: +44 (0) 1869 365588

sales@chilterninvadex.co.uk

FRONT ENTRY SHOWER CUBICLE MODEL 101

Cubicle kit contents:

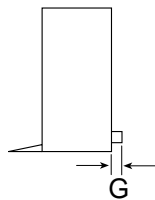
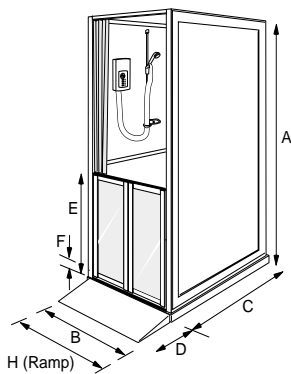
- White Shower Tray
- Full height enclosure pack
- Door set - half height (not handed) or tri-fold (left or right hand) doors
- Curtain Track and Hooks (to suit door option)
- White Shower Curtain
- Detachable ramp
- Grab rails
- Shower unit options shown on p130 (not included in package price)
- Fitting instructions

HOW TO ORDER



	Option 1	Option 2	Option 3
Cubicle description	Half height door	Trifold (Left hand)	Trifold (Right hand)
101 Cubicle with pumped waste	Part no: SHCU101PW Price: £1510.00	Part no: SHCU101PW Price: £1510.00	Part no: SHCU101PW Price: £1510.00
101 Cubicle with gravity waste	Part no: SHCU101G Price: £1275.00	Part no: SHCU101G Price: £1275.00	Part no: SHCU101G Price: £1275.00

Technical information

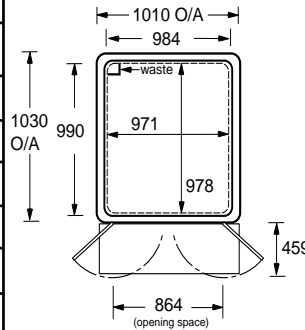


*Add 95mm if side controls fitted.

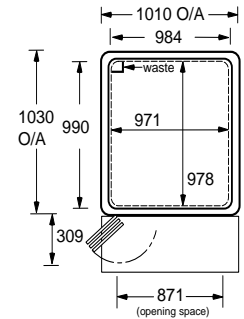
Ramp size:
1000mm x 430mm

Ref	Dimensions
A	1900
B	1010*
C	1030
D	430
E	810
F	70
G	50
H	1000

Model 101 (Standard doors)



Model 101 (Tri-fold doors)



Shower chair compatibility

See page 95 for shower chair compatibility options

Note: Dimensions are for doors fully open.

Internal dimensions: The width is measured from acrylic panel to acrylic panel. The depth is taken from the back acrylic panel to the inner face of the door.

Chiltern Invadex shower cubicles are available with a large range of options and accessories, allowing the cubicle to be configured to suit specific client requirements. A quick order form is available to help select the appropriate options. Please contact Customer Service for details or to arrange a visit by a Technical Sales Representative.

SYMBOLS:

Bulk/oversized item



Made to order (see P192)



Tel: 0800 917 0399

www.chilterninvadex.co.uk

Fax: +44 (0) 1869 365588

sales@chilterninvadex.co.uk

FRONT ENTRY SHOWER CUBICLE MODEL 120

Cubicle kit contents:

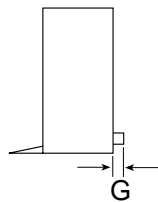
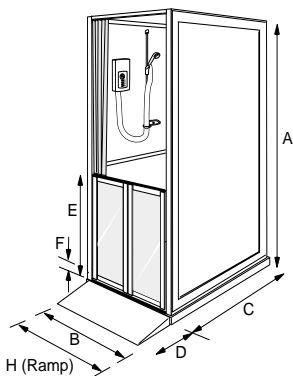
- White Shower Tray
- Enclosure pack
- Door set - half height (not handed) or tri-fold (left or right hand) doors
- Curtain Track and Hooks (to suit door option)
- White Shower Curtain
- Detachable ramp
- Grab rails
- Shower unit options shown on p130 (not included in package price)
- Fitting instructions

HOW TO ORDER



	Option 1	Option 2	Option 3
Cubicle description	Half height door	Trifold (Left hand)	Trifold (Right hand)
120 Cubicle with pumped waste	Part no: SHCU120PW Price: £1630	Part no: SHCU120PW Price: £1630	Part no: SHCU120PW Price: £1630
120 Cubicle with gravity waste	Part no: SHCU120G Price: £1395	Part no: SHCU120G Price: £1395	Part no: SHCU120G Price: £1395

Technical information

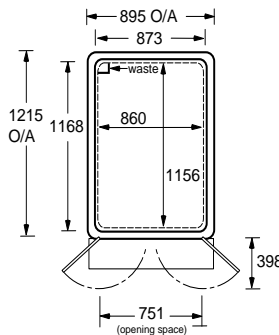


*Add 95mm if side controls fitted.

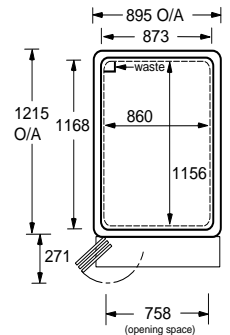
Ramp size:
890mm x 220mm

Ref	Dimensions
A	1900
B	895*
C	1215
D	220
E	810
F	73
G	50
H	890

Model 120 (Standard doors)



Model 120 (Tri-fold doors)



Shower chair compatibility

See page 95 for shower chair compatibility options

Note: Dimensions are for doors fully open.

Internal dimensions: The width is measured from acrylic panel to acrylic panel. The depth is taken from the back acrylic panel to the inner face of the door.

Chiltern Invadex shower cubicles are available with a large range of options and accessories, allowing the cubicle to be configured to suit specific client requirements. A quick order form is available to help select the appropriate options. Please contact Customer Service for details or to arrange a visit by a Technical Sales Representative.

SYMBOLS:

Bulk/oversized item



Made to order (see P192)



Tel: 0800 917 0399

www.chilterninvadex.co.uk

Fax: +44 (0) 1869 365588

sales@chilterninvadex.co.uk

SIDE ENTRY MK2 SHOWER CUBICLE

Cubicle kit contents:

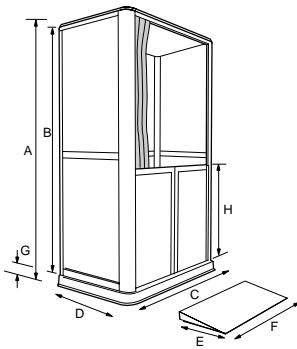
- White Shower Tray
- Enclosure pack
- Door set - half height (not handed) or tri-fold (left or right hand) doors
- Curtain Track and Hooks (to suit door option)
- White Shower Curtain
- Detachable ramp
- Grab rails
- Shower unit options shown on p130 (not included in package price)
- Fitting instructions

HOW TO ORDER



	Option 1	Option 2	Option 3
Cubicle description	Half height door	Trifold (Left hand)	Trifold (Right hand)
Side Entry MK2 Cubicle with pumped waste	Part no: SHCUSE2PW Price: £1510	Part no: SHCUSE2PW Price: £1510	Part no: SHCUSE2PW Price: £1510
Side Entry MK2 Cubicle with gravity waste	Part no: SHCUSE2G Price: £1275	Part no: SHCUSE2G Price: £1275	Part no: SHCUSE2G Price: £1275

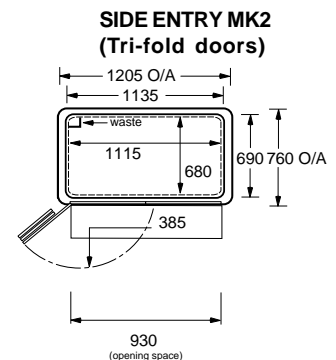
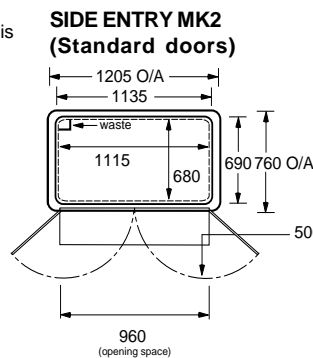
Technical information



Ref	Dimensions
A	2040
B	1950
C	1205
D	760
E	250
F	1025
G	60
H	810

Ramp size:

The Side Entry MK2 is available with a removable ramp - standard 250mm (in position) or longer graduated 500mm version (in position).



Shower chair compatibility

See page 95 for shower chair compatibility options

Note: Dimensions are for doors fully open.

Internal dimensions: The width is measured from acrylic panel to acrylic panel. The depth is taken from the back acrylic panel to the inner face of the door.

Chiltern Invadex shower cubicles are available with a large range of options and accessories, allowing the cubicle to be configured to suit specific client requirements. A quick order form is available to help select the appropriate options. Please contact Customer Service for details or to arrange a visit by a Technical Sales Representative.

SYMBOLS:

Bulk/oversized item



Made to order (see P192)



Tel: 0800 917 0399

www.chilterninvadex.co.uk

Fax: +44 (0) 1869 365588

sales@chilterninvadex.co.uk

SLIMLINE SIDE ENTRY SHOWER CUBICLE

Cubicle kit contents:

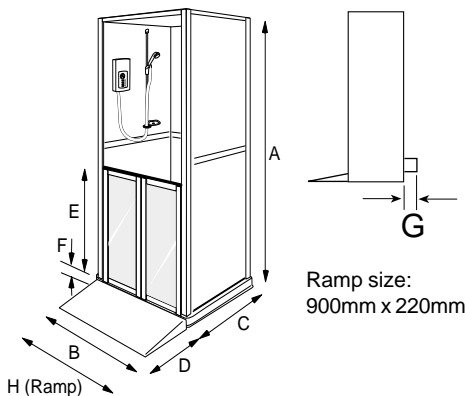
- White Shower Tray
- Full height enclosure pack
- Door set - half height (not handed) or tri-fold (left or right hand) doors
- Curtain Track and Hooks (to suit door option)
- White Shower Curtain
- Detachable ramp
- Grab rails
- Shower unit options shown on p130 (not included in package price)
- Fitting instructions

HOW TO ORDER

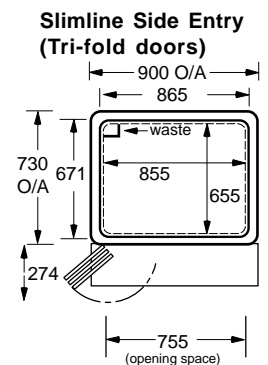
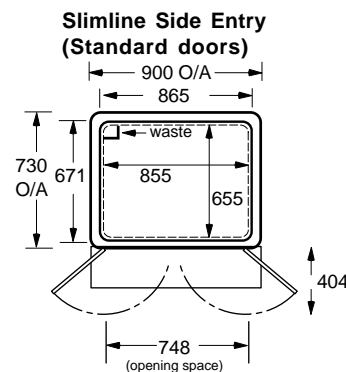


	Option 1	Option 2	Option 3
Cubicle description	Half height door	Trifold (Left hand)	Trifold (Right hand)
Slimline Side Entry with pumped waste	Part no: SHCUSLSEPW Price: £1510	Part no: SHCUSLSEPW Price: £1510	Part no: SHCUSLSEPW Price: £1510
Slimline Side Entry with gravity waste	Part no: SHCUSLSEG Price: £1275	Part no: SHCUSLSEG Price: £1275	Part no: SHCUSLSEG Price: £1275

Technical information



Ref	Dimensions
A	1830
B	900
C	730
D	220
E	810
F	755
G	50
H	900



Shower chair compatibility

See page 95 for shower chair compatibility options

Note: Dimensions are for doors fully open.

Internal dimensions: The width is measured from acrylic panel to acrylic panel. The depth is taken from the back acrylic panel to the inner face of the door.

Chiltern Invadex shower cubicles are available with a large range of options and accessories, allowing the cubicle to be configured to suit specific client requirements. A quick order form is available to help select the appropriate options. Please contact Customer Service for details or to arrange a visit by a Technical Sales Representative.

SYMBOLS:

Bulk/oversized item



Made to order (see P192)



Tel: 0800 917 0399

www.chilterninvadex.co.uk

Fax: +44 (0) 1869 365588

sales@chilterninvadex.co.uk

CORNER CUBICLE

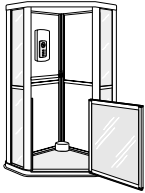
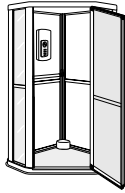

Kit contents:

- White Shower Tray
- White enclosure panels (marble on Deluxe model only)
- Shower unit (Triton T60 or Mira Advance)
- Door kit
- Curtain Track and Hooks (to suit door option)
- White Shower Curtain (half height doors only)
- Fitting instructions
- Light (Standard Plus model only)
- Light & extractor fan (Deluxe model only)

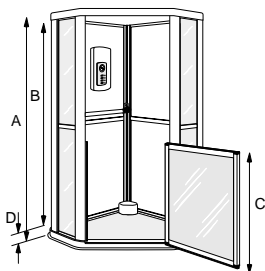
Note: Pumped waste only - no gravity waste option available.

HOW TO ORDER

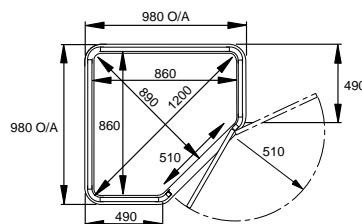


	Option 1 	Option 2 	Option 3 
	Half height door	Full height door	Stable door
Standard package Tray & enclosure with Triton T60 shower	Part no: 121-00001 Price £1260.00		
Standard package Tray & enclosure with Triton T60 shower		Part no: 121-00002 Price £1260	
Standard package Tray & enclosure with Triton T60 shower			Part no: 121-00003 Price £1260
Standard Plus package Tray & enclosure with Mira Advance	Part no: 122-00001 Price £1590		
Standard Plus package Tray & enclosure with Mira Advance		Part no: 122-00002 Price £1590	
Standard Plus package Tray & enclosure with Mira Advance			Part no: 122-00003 Price £1590
Deluxe package Tray & enclosure with Mira Advance	Part no: 123-00001 Price £1805		
Deluxe package Tray & enclosure with Mira Advance		Part no: 123-00002 Price £1805	
Deluxe package Tray & enclosure with Mira Advance			Part no: 123-00003 Price £1805

Technical information



Ref	Dimensions
A	2040
B	1950
C	810
D	60



Chiltern Invadex shower cubicles are available with a large range of options and accessories, allowing the cubicle to be configured to suit specific client requirements. A quick order form is available to help select the appropriate options. Please contact Customer Service for details or to arrange a visit by a Technical Sales Representative.

SYMBOLS:

Bulk/oversized item



Made to order (see P192)



Tel: 0800 917 0399

www.chilterninvadex.co.uk

Fax: +44 (0) 1869 365588

sales@chilterninvadex.co.uk