

ABBEYDALE 760 EASY ACCESS SHOWER

HOW TO ORDER

- 1 CHOOSE SHOWER TRAY**
- 2 CHOOSE A COMBINED TRAY/DOOR KIT OPTION G1 (this is a complete kit)**
 G1.1 Gravity vertical option (p41)
- 3 ADDITIONAL OPTION**
 P2 Shower waste pump kit (choose this option if a pump is required) - see p48-49

Door and enclosure kit contents:

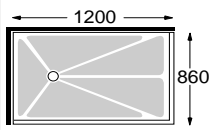
- Door kit (c/w Trifold door)
- Half height fixed panels
- Assistance poles (1950mm) to Curtain Rail (floor to Ceiling poles available as an option - additional £15. Please confirm height requirement)
- Curtain Track and Hooks to suit door option
- White Shower Curtain
- Fitting instructions
- See p143 for Shower units (optional extra)

Shower tray contents:

- White shower tray
- Tray Edging Cover Strip
- Fitting instructions

IMPORTANT NOTE: Trays and door kits on this page are supplied under one code as a complete kit.

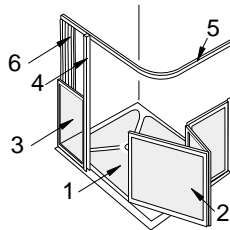
LEFT HAND TRAY To order tick the relevant circle and fax back.

1 SHOWER TRAY SIZE		2 SHOWER TRAY/ TRIFOLD DOOR KIT	SHOWER TRAY/ SPECIAL DOOR KIT		
LEFT HAND 760 TRAY 	Order as a complete tray & door kit using part no's shown right. Waste detail shown on p39-40. G1	<input type="radio"/> IDAD760LHTL Price £815 	<input type="radio"/> SEE PAGE 67 		

PARTS

DESCRIPTION	PART NUMBER	PRICE	
<input type="radio"/> IDIADL5	1. Tray	£294.40	
<input type="radio"/> IDATD01W	2. Door	£450	
<input type="radio"/> IDAWJ03W	3. Jamb panel	£90	
<input type="radio"/> IDAPK01W	4. Pole set	£70	
<input type="radio"/> IDGRL4330W	5. Curtain rail	£38	
<input type="radio"/> IDGSS22	6. Curtain	£32	

LEFT HAND 760 (TRIFOLD DOOR KIT)



Notes:
For shower tray part number see below

Invawaste included - see pages 39-40.

Shower Waste Pump option - see p48-49.

SYMBOLS:

Bulk/oversized item



Made to order (see P200)



Tel: 0800 917 0399

www.chilterninvadex.co.uk

Fax: +44 (0) 1869 365588

sales@chilterninvadex.co.uk

ABBEYDALE 760 EASY ACCESS SHOWER

HOW TO ORDER

- 1 CHOOSE SHOWER TRAY**
- 2 CHOOSE A COMBINED TRAY/DOOR KIT OPTION** (this is a complete kit)
 Gravity vertical option (p41)
- 3 ADDITIONAL OPTION**
 Shower waste pump kit (choose this option if a pump is required) - see p48-49

Door and enclosure kit contents:

- Door kit (c/w Trifold door)
- Half height fixed panels
- Assistance poles (1950mm) to Curtain Rail (floor to Ceiling poles available as an option - additional £15. Please confirm height requirement)
- Curtain Track and Hooks to suit door option
- White Shower Curtain
- Fitting instructions
- See p143 for Shower units (optional extra)

Shower tray contents:

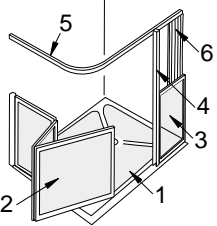
- White shower tray
- Tray Edging Cover Strip
- Fitting instructions

IMPORTANT NOTE: Trays and door kits on this page are supplied under one code as a complete kit.

RIGHT HAND TRAY To order tick the relevant circle and fax back.

1 SHOWER TRAY SIZE	2 SHOWER TRAY/ TRIFOLD DOOR KIT		SHOWER TRAY/ SPECIAL DOOR KIT	
RIGHT HAND 760 TRAY 	Order as a complete tray & door kit using part no's shown right. Waste detail shown on p39-40. <input type="checkbox"/>		<input type="radio"/> IDAD760RHTL Price £815 	<input type="radio"/> SEE PAGE 67 

PARTS

RIGHT HAND 760 (TRIFOLD DOOR KIT)		<p><i>Notes:</i> For shower tray part number see below</p> <p><i>Invawaste included - see pages 39-40.</i></p> <p><i>Shower Waste Pump option - see p48-49</i></p>																					
<table border="1"> <thead> <tr> <th>DESCRIPTION</th> <th>PART NUMBER</th> <th>PRICE</th> </tr> </thead> <tbody> <tr> <td><input type="radio"/> IDIADR5</td> <td>1. Tray</td> <td>£294.40</td> </tr> <tr> <td><input type="radio"/> IDATD02W</td> <td>2. Door</td> <td>£450</td> </tr> <tr> <td><input type="radio"/> IDAWJ04W</td> <td>3. Jamb panel</td> <td>£90</td> </tr> <tr> <td><input type="radio"/> IDAPK02W</td> <td>4. Pole set</td> <td>£70</td> </tr> <tr> <td><input type="radio"/> IDGRL4330W</td> <td>5. Curtain rail</td> <td>£38</td> </tr> <tr> <td><input type="radio"/> IDGSS22</td> <td>6. Curtain</td> <td>£32</td> </tr> </tbody> </table>	DESCRIPTION	PART NUMBER	PRICE	<input type="radio"/> IDIADR5	1. Tray	£294.40	<input type="radio"/> IDATD02W	2. Door	£450	<input type="radio"/> IDAWJ04W	3. Jamb panel	£90	<input type="radio"/> IDAPK02W	4. Pole set	£70	<input type="radio"/> IDGRL4330W	5. Curtain rail	£38	<input type="radio"/> IDGSS22	6. Curtain	£32		
DESCRIPTION	PART NUMBER	PRICE																					
<input type="radio"/> IDIADR5	1. Tray	£294.40																					
<input type="radio"/> IDATD02W	2. Door	£450																					
<input type="radio"/> IDAWJ04W	3. Jamb panel	£90																					
<input type="radio"/> IDAPK02W	4. Pole set	£70																					
<input type="radio"/> IDGRL4330W	5. Curtain rail	£38																					
<input type="radio"/> IDGSS22	6. Curtain	£32																					

SYMBOLS:

Bulk/oversized item



Made to order (see P200)



Tel: 0800 917 0399

www.chilterninvadex.co.uk

Fax: +44 (0) 1869 365588

sales@chilterninvadex.co.uk

ABBEYDALE 850 EASY ACCESS SHOWER

HOW TO ORDER

- 1 CHOOSE SHOWER TRAY
- 2 CHOOSE A COMBINED TRAY/DOOR KIT OPTION **G1** (this is a complete kit)
 - G1.1** Gravity vertical option (p41)
- 3 ADDITIONAL OPTION
 - P2** Shower waste pump kit (choose this option if a pump is required) - see p48-49

Door and enclosure kit contents:

- Door kit (c/w Trifold door)
- Half height fixed panels
- Assistance poles (1950mm) to Curtain Rail (floor to Ceiling poles available as an option - additional £15. Please confirm height requirement)
- Curtain Track and Hooks to suit door option
- White Shower Curtain
- Fitting instructions
- See p143 for Shower units (optional extra)

Shower tray contents:

- White shower tray
- Tray Edging Cover Strip
- Fitting instructions

IMPORTANT NOTE: Trays and door kits on this page are supplied under one code as a complete kit.

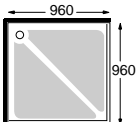
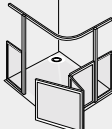
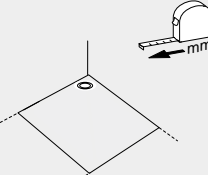
SQUARE 850 TRAY (NOT HANDED) LEFT HAND DOOR

To order tick the relevant circle and fax back.

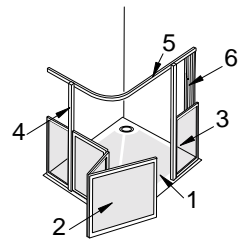
1		2			
SHOWER TRAY SIZE		SHOWER TRAY/LEFT HAND TRIFOLD DOOR KIT	SHOWER TRAY/ SPECIAL DOOR KIT		
SQUARE 850 TRAY 	Order as a complete tray & door kit using part no's shown right. Waste detail shown on p39-40. G1	<input type="radio"/> IDAD850LHTL Price £815 	<input type="radio"/> SEE PAGE 67 		

SQUARE 850 TRAY (NOT HANDED) RIGHT HAND DOOR

To order tick the relevant circle and fax back.

1		2			
SHOWER TRAY SIZE		SHOWER TRAY/RIGHT HAND TRIFOLD DOOR KIT	SHOWER TRAY/ SPECIAL DOOR KIT		
SQUARE 850 TRAY 	Order as a complete tray & door kit using part no's shown right. Waste detail shown on p39-40. G1	<input type="radio"/> IDAD850RHTL Price £815 	<input type="radio"/> SEE PAGE 67 		

PARTS

<p>SQUARE 850 TRAY (RIGHT HAND DOOR)</p>  <p>Notes: For shower tray part number see below</p> <p>Invawaste included - see pages 39-40.</p> <p>Shower Waste Pump option - see p48-49</p>	<p>SQUARE 850 TRAY (LEFT HAND DOOR)</p> 																																										
<table border="1"> <thead> <tr> <th>DESCRIPTION</th> <th>PART NUMBER</th> <th>PRICE</th> </tr> </thead> <tbody> <tr> <td><input type="radio"/> IDIADL11</td> <td>1. Tray</td> <td>£294.40</td> </tr> <tr> <td><input type="radio"/> IDATD06W</td> <td>2. Door</td> <td>£450</td> </tr> <tr> <td><input type="radio"/> IDAAD850W</td> <td>3. Jamb panel</td> <td>£110</td> </tr> <tr> <td><input type="radio"/> IDASWP02W</td> <td>4. Pole set</td> <td>£110</td> </tr> <tr> <td><input type="radio"/> IDGRL36W</td> <td>5. Curtain rail</td> <td>£38</td> </tr> <tr> <td><input type="radio"/> IDGSS22</td> <td>6. Curtain</td> <td>£32</td> </tr> </tbody> </table>	DESCRIPTION	PART NUMBER	PRICE	<input type="radio"/> IDIADL11	1. Tray	£294.40	<input type="radio"/> IDATD06W	2. Door	£450	<input type="radio"/> IDAAD850W	3. Jamb panel	£110	<input type="radio"/> IDASWP02W	4. Pole set	£110	<input type="radio"/> IDGRL36W	5. Curtain rail	£38	<input type="radio"/> IDGSS22	6. Curtain	£32	<table border="1"> <thead> <tr> <th>DESCRIPTION</th> <th>PART NUMBER</th> <th>PRICE</th> </tr> </thead> <tbody> <tr> <td><input type="radio"/> IDIADL11</td> <td>1. Tray</td> <td>£294.40</td> </tr> <tr> <td><input type="radio"/> IDATD05W</td> <td>2. Door</td> <td>£450</td> </tr> <tr> <td><input type="radio"/> IDAAD850W</td> <td>3. Jamb panel</td> <td>£110</td> </tr> <tr> <td><input type="radio"/> IDASWP01W</td> <td>4. Pole set</td> <td>£110</td> </tr> <tr> <td><input type="radio"/> IDGRL36W</td> <td>5. Curtain rail</td> <td>£38</td> </tr> <tr> <td><input type="radio"/> IDGSS22</td> <td>6. Curtain</td> <td>£32</td> </tr> </tbody> </table>	DESCRIPTION	PART NUMBER	PRICE	<input type="radio"/> IDIADL11	1. Tray	£294.40	<input type="radio"/> IDATD05W	2. Door	£450	<input type="radio"/> IDAAD850W	3. Jamb panel	£110	<input type="radio"/> IDASWP01W	4. Pole set	£110	<input type="radio"/> IDGRL36W	5. Curtain rail	£38	<input type="radio"/> IDGSS22	6. Curtain	£32
DESCRIPTION	PART NUMBER	PRICE																																									
<input type="radio"/> IDIADL11	1. Tray	£294.40																																									
<input type="radio"/> IDATD06W	2. Door	£450																																									
<input type="radio"/> IDAAD850W	3. Jamb panel	£110																																									
<input type="radio"/> IDASWP02W	4. Pole set	£110																																									
<input type="radio"/> IDGRL36W	5. Curtain rail	£38																																									
<input type="radio"/> IDGSS22	6. Curtain	£32																																									
DESCRIPTION	PART NUMBER	PRICE																																									
<input type="radio"/> IDIADL11	1. Tray	£294.40																																									
<input type="radio"/> IDATD05W	2. Door	£450																																									
<input type="radio"/> IDAAD850W	3. Jamb panel	£110																																									
<input type="radio"/> IDASWP01W	4. Pole set	£110																																									
<input type="radio"/> IDGRL36W	5. Curtain rail	£38																																									
<input type="radio"/> IDGSS22	6. Curtain	£32																																									

SYMBOLS:

Bulk/oversized item



Made to order (see P200)



Tel: 0800 917 0399

www.chilterninvadex.co.uk

Fax: +44 (0) 1869 365588

sales@chilterninvadex.co.uk

ABBEYDALE 950 EASY ACCESS SHOWER

HOW TO ORDER

- 1 CHOOSE SHOWER TRAY**
- 2 CHOOSE A COMBINED TRAY/DOOR KIT OPTION G1 (this is a complete kit)**
 G1.1 Gravity vertical option (p41)
- 3 ADDITIONAL OPTION**
 P2 Shower waste pump kit
 (choose this option if a pump is required) - see p48-49

Door and enclosure kit contents:

- Door kit (c/w Trifold door)
- Half height fixed panels
- Assistance poles (1950mm) to Curtain Rail (floor to Ceiling poles available as an option - additional £15. Please confirm height requirement)
- Curtain Track and Hooks to suit door option
- White Shower Curtain
- Fitting instructions
- See p143 for Shower units (optional extra)

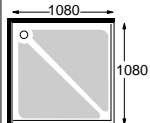
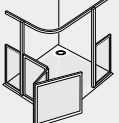
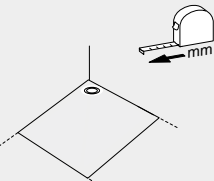
Shower tray contents:

- White shower tray
- Tray Edging Cover Strip
- Fitting instructions

IMPORTANT NOTE: Trays and door kits on this page are supplied under one code as a complete kit.

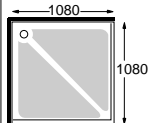
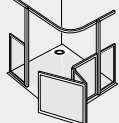
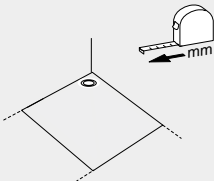
SQUARE 950 TRAY (NOT HANDED) LEFT HAND DOOR

To order tick the relevant circle and fax back.

1 SHOWER TRAY SIZE	TRAY PART NUMBER	2 SHOWER TRAY/LEFT HAND TRIFOLD DOOR KIT	SHOWER TRAY/SPECIAL DOOR KIT
SQUARE 950 TRAY 	Order as a G1 complete tray & door kit using part no's shown right. Waste detail shown on p39-40.	<input type="radio"/> IDAD950LHTL Price £815 	<input type="radio"/> SEE PAGE 49 

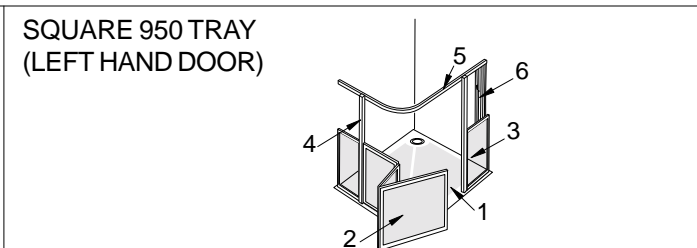
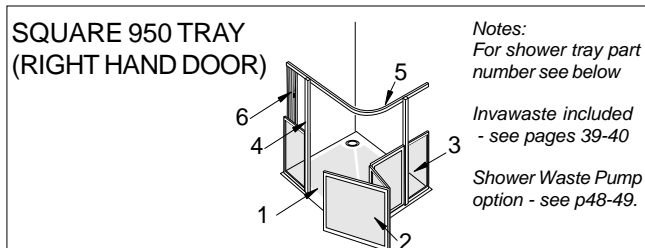
SQUARE 950 TRAY (NOT HANDED) RIGHT HAND DOOR

To order tick the relevant circle and fax back.

1 SHOWER TRAY SIZE	TRAY PART NUMBER	2 SHOWER TRAY/RIGHT HAND TRIFOLD DOOR KIT	SHOWER TRAY/SPECIAL DOOR KIT
SQUARE 950 TRAY 	Order as a G1 complete tray & door kit using part no's shown right. Waste detail shown on p39-40.	<input type="radio"/> IDAD950RHTL Price £815 	<input type="radio"/> SEE PAGE 49 

PARTS

DESCRIPTION	PART NUMBER	PRICE	DESCRIPTION	PART NUMBER	PRICE
<input type="radio"/> IDIADL7	1. Tray	£314.30	<input type="radio"/> IDIADL7	1. Tray	£314.30
<input type="radio"/> IDATD06W	2. Door	£450	<input type="radio"/> IDATD05W	2. Door	£450
<input type="radio"/> IDAAD950W	3. Jamb panel	£145	<input type="radio"/> IDAAD950W	3. Jamb panel	£145
<input type="radio"/> IDASWP02W	4. Pole set	£110	<input type="radio"/> IDASWP01W	4. Pole set	£110
<input type="radio"/> IDGRL37W	5. Curtain rail	£40	<input type="radio"/> IDGRL37W	5. Curtain rail	£40
<input type="radio"/> IDGSS22	6. Curtain	£32	<input type="radio"/> IDGSS22	6. Curtain	£32



SYMBOLS:

Bulk/oversized item



Made to order (see P200)



Tel: 0800 917 0399

www.chilterninvadex.co.uk

Fax: +44 (0) 1869 365588

sales@chilterninvadex.co.uk

ABBEYDALE 1050 EASY ACCESS SHOWER

HOW TO ORDER

- 1 CHOOSE SHOWER TRAY**
- 2 CHOOSE A COMBINED TRAY/DOOR KIT OPTION **G1** (this is a complete kit)**
- G1.1** Gravity vertical option (p41)
- 3 ADDITIONAL OPTION**
- P2** Shower waste pump kit (choose this option if a pump is required) - see p48-49

Door and enclosure kit contents:

- Door kit (c/w Trifold door)
- Half height fixed panels
- Assistance poles (1950mm) to Curtain Rail (floor to Ceiling poles available as an option - additional £15. Please confirm height requirement)
- Curtain Track and Hooks to suit door option
- White Shower Curtain
- Fitting instructions
- See p143 for Shower units (optional extra)

Shower tray contents:

- White shower tray
- Tray Edging Cover Strip
- Fitting instructions

IMPORTANT NOTE: Trays and door kits on this page are supplied under one code as a complete kit.

SQUARE 1050 TRAY (NOT HANDED) LEFT HAND DOOR

To order tick the relevant circle and fax back.

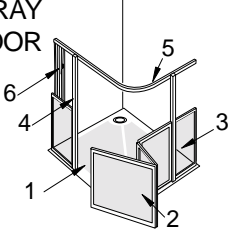
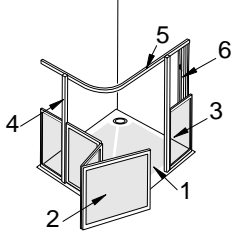
1		2			
SHOWER TRAY SIZE		SHOWER TRAY/LEFT HAND TRIFOLD DOOR KIT	SHOWER TRAY/SPECIAL DOOR KIT		
SQUARE 1050 TRAY 	<input type="radio"/> Order as a G1 complete tray & door kit using part no's shown right. Waste detail shown on p39-40.	<input type="radio"/> IDAD1050LHTL Price £815  	<input type="radio"/> SEE PAGE 67 		

SQUARE 1050 TRAY (NOT HANDED) RIGHT HAND DOOR

To order tick the relevant circle and fax back.

1		2			
SHOWER TRAY SIZE		SHOWER TRAY/RIGHT HAND TRIFOLD DOOR KIT	SHOWER TRAY/SPECIAL DOOR KIT		
SQUARE 1050 TRAY 	<input type="radio"/> Order as a G1 complete tray & door kit using part no's shown right. Waste detail shown on p39-40.	<input type="radio"/> IDAD1050RHTL Price £815  	<input type="radio"/> SEE PAGE 67 		

PARTS

<p>SQUARE 1050 TRAY (RIGHT HAND DOOR)</p>  <p>Notes: For shower tray part number see below</p> <p>Inwaste included - see pages 39-40.</p> <p>Shower Waste Pump option - see p48-49.</p>	<p>SQUARE 1050 TRAY (LEFT HAND DOOR)</p> 																																										
<table border="1" style="width: 100%;"> <thead> <tr> <th>PART NUMBER</th> <th>DESCRIPTION</th> <th>PRICE</th> </tr> </thead> <tbody> <tr> <td><input type="radio"/> IDIADL9</td> <td>1. Tray</td> <td>£372.60</td> </tr> <tr> <td><input type="radio"/> IDATD06W</td> <td>2. Door</td> <td>£450</td> </tr> <tr> <td><input type="radio"/> IDAAD1050W</td> <td>3. Jamb panel</td> <td>£175</td> </tr> <tr> <td><input type="radio"/> IDASWP02W</td> <td>4. Pole set</td> <td>£110</td> </tr> <tr> <td><input type="radio"/> IDGRL41W</td> <td>5. Curtain rail</td> <td>£44</td> </tr> <tr> <td><input type="radio"/> IDGSS22</td> <td>6. Curtain</td> <td>£32</td> </tr> </tbody> </table>	PART NUMBER	DESCRIPTION	PRICE	<input type="radio"/> IDIADL9	1. Tray	£372.60	<input type="radio"/> IDATD06W	2. Door	£450	<input type="radio"/> IDAAD1050W	3. Jamb panel	£175	<input type="radio"/> IDASWP02W	4. Pole set	£110	<input type="radio"/> IDGRL41W	5. Curtain rail	£44	<input type="radio"/> IDGSS22	6. Curtain	£32	<table border="1" style="width: 100%;"> <thead> <tr> <th>PART NUMBER</th> <th>DESCRIPTION</th> <th>PRICE</th> </tr> </thead> <tbody> <tr> <td><input type="radio"/> IDIADL9</td> <td>1. Tray</td> <td>£372.60</td> </tr> <tr> <td><input type="radio"/> IDATD05W</td> <td>2. Door</td> <td>£450</td> </tr> <tr> <td><input type="radio"/> IDAAD1050W</td> <td>3. Jamb panel</td> <td>£175</td> </tr> <tr> <td><input type="radio"/> IDASWP01W</td> <td>4. Pole set</td> <td>£110</td> </tr> <tr> <td><input type="radio"/> IDGRL41W</td> <td>5. Curtain rail</td> <td>£44</td> </tr> <tr> <td><input type="radio"/> IDGSS22</td> <td>6. Curtain</td> <td>£32</td> </tr> </tbody> </table>	PART NUMBER	DESCRIPTION	PRICE	<input type="radio"/> IDIADL9	1. Tray	£372.60	<input type="radio"/> IDATD05W	2. Door	£450	<input type="radio"/> IDAAD1050W	3. Jamb panel	£175	<input type="radio"/> IDASWP01W	4. Pole set	£110	<input type="radio"/> IDGRL41W	5. Curtain rail	£44	<input type="radio"/> IDGSS22	6. Curtain	£32
PART NUMBER	DESCRIPTION	PRICE																																									
<input type="radio"/> IDIADL9	1. Tray	£372.60																																									
<input type="radio"/> IDATD06W	2. Door	£450																																									
<input type="radio"/> IDAAD1050W	3. Jamb panel	£175																																									
<input type="radio"/> IDASWP02W	4. Pole set	£110																																									
<input type="radio"/> IDGRL41W	5. Curtain rail	£44																																									
<input type="radio"/> IDGSS22	6. Curtain	£32																																									
PART NUMBER	DESCRIPTION	PRICE																																									
<input type="radio"/> IDIADL9	1. Tray	£372.60																																									
<input type="radio"/> IDATD05W	2. Door	£450																																									
<input type="radio"/> IDAAD1050W	3. Jamb panel	£175																																									
<input type="radio"/> IDASWP01W	4. Pole set	£110																																									
<input type="radio"/> IDGRL41W	5. Curtain rail	£44																																									
<input type="radio"/> IDGSS22	6. Curtain	£32																																									

SYMBOLS:

Bulk/oversized item 

Made to order (see P200) 

Tel: 0800 917 0399

www.chilterninvadex.co.uk

Fax: +44 (0) 1869 365588

sales@chilterninvadex.co.uk