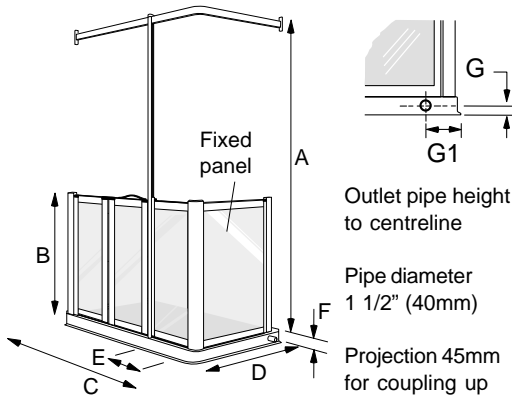


SHOWER TRAY SPECIFICATION GUIDE - STEP-IN

See page 89 for details of How to order

BERRIEDALE MODEL



Right hand shower tray Illustrated

REF	DIMENSIONS	BERRIEDALE RIGHT HAND TRAY	JAMB DETAIL
A	1950		Plan view
B	820		
C	1255		
D	710		
E	423		
F	120		
G	40		
G1	70		
Thick black line denotes wall position			
REF	DIMENSIONS		
A	1950		Plan view
B	820		
C	1255		
D	710		
E	423		
F	120		
G	40		
G1	70		
Thick black line denotes wall position			

SHOWER CHAIR COMPATIBILITY



Self propelled models



Attendant propelled models

Notes

Door size: 1200mm x 660mm (including jamb). Front jamb size is 423mm.

Internal showering area: L=1180mm x W=640mm

1. Dimension A is to the top of the assistance pole (from the shower tray)
2. Dimensions C&D are measured from the face of the tiling lip
3. The door set/jamb/pole are interchangeable along the length of the tray
4. The return jamb along the width of the tray is static
5. The step-in depth is 45mm

SYMBOLS:

Bulk/oversized item



Made to order (see P200)



Tel: 0800 917 0399

www.chilterninvadex.co.uk

Fax: +44 (0) 1869 365588

sales@chilterninvadex.co.uk