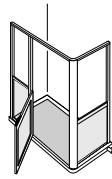
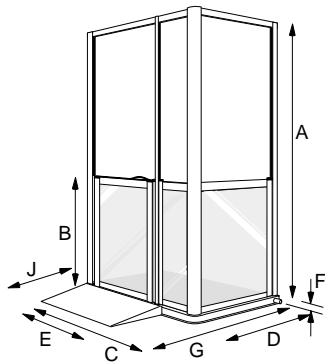


SHOWER TRAY SPECIFICATION GUIDE - EASY ACCESS

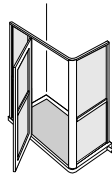
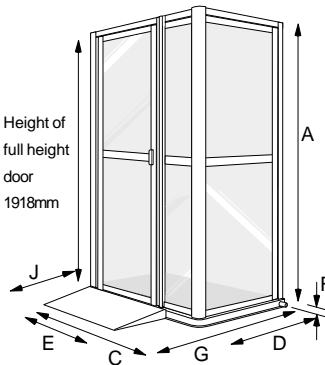
See pages 86-87 for details of How to order

DOVEDALE MK2 MODEL



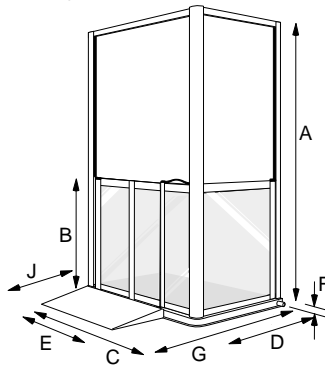
The door layout shown above can be made from the same order code. (Option C shown)

Single door option
Half height door Illustrated



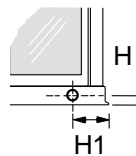
The door layout shown above can be made from the same order code. (Option C shown)

Single door option
Full height door Illustrated



Trifold door Illustrated

REF	DIMENSIONS	DOVEDALE OPTIONS A & D	JAMB DETAIL
A	1950	<p>Clear opening space 610mm</p> <p>OPTION A OPTION D</p>	<p>Plan view 326mm</p>
B	820		
C	1135		
D	700		
E	830		
F	80		
G	1045		
H	35		
H1	75		
J	345		
		DOVEDALE OPTIONS B & C	JAMB DETAIL
		<p>Thick black line denotes wall position</p> <p>OPTION B OPTION C</p>	<p>Plan view 326mm</p>



Outlet pipe height to centreline

Projection 45mm for coupling up

Pipe diameter 1 1/2" (40mm)

REF	DIMENSIONS	DOVEDALE OPTIONS A & D (trifold door)	JAMB DETAIL
A	1950	<p>Clear opening space 610mm</p> <p>OPTION A OPTION D</p>	
B	820		
C	1135		
D	700		
E	830		
F	80		
G	1045		
H	35		
H1	75		
J	345		
		DOVEDALE OPTIONS B & C (trifold door)	JAMB DETAIL
		<p>Thick black line denotes wall position</p> <p>OPTION B OPTION C</p>	

SHOWER CHAIR COMPATIBILITY



Self propelled models



Attendant propelled models

Notes

Door size: 1110mm x 660mm (including jamb). Front jamb size is 326mm.

Internal showering area: L=1090mm x W=640mm

* Can be boxed in using white half/full height melamine, providing added storage space.

1. Dimension A is to the top of the frame (from the shower tray) - single door

SYMBOLS:

Bulk/oversized item



Made to order (see P200)



Tel: 0800 917 0399

www.chilterninvadex.co.uk

Fax: +44 (0) 1869 365588

sales@chilterninvadex.co.uk