

ABBEYDALE 760 EASY ACCESS SHOWER

HOW TO ORDER

- 1 CHOOSE SHOWER TRAY**
- 2 CHOOSE A COMBINED TRAY/DOOR KIT OPTION G1 (this is a complete kit)**
 G1.1 Gravity vertical option (p41)
- 3 ADDITIONAL OPTION**
 P2 Shower waste pump kit (choose this option if a pump is required) - see p48-49

Door and enclosure kit contents:

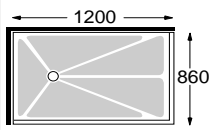
- Door kit (c/w Trifold door)
- Half height fixed panels
- Assistance poles (1950mm) to Curtain Rail (floor to Ceiling poles available as an option - additional £15. Please confirm height requirement)
- Curtain Track and Hooks to suit door option
- White Shower Curtain
- Fitting instructions
- See p143 for Shower units (optional extra)

Shower tray contents:

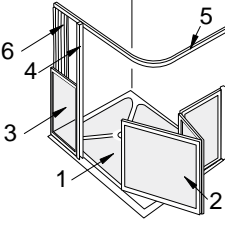
- White shower tray
- Tray Edging Cover Strip
- Fitting instructions

IMPORTANT NOTE: Trays and door kits on this page are supplied under one code as a complete kit.

LEFT HAND TRAY To order tick the relevant circle and fax back.

1 SHOWER TRAY SIZE		2 SHOWER TRAY/ TRIFOLD DOOR KIT	SHOWER TRAY/ SPECIAL DOOR KIT		
LEFT HAND 760 TRAY 	Order as a complete tray & door kit using part no's shown right. Waste detail shown on p39-40. G1	<input type="radio"/> IDAD760LHTL Price £815 	<input type="radio"/> SEE PAGE 67 		

PARTS

LEFT HAND 760 (TRIFOLD DOOR KIT)		Notes: For shower tray part number see below Invawaste included - see pages 39-40. Shower Waste Pump option - see p48-49.																						
<table border="1"> <thead> <tr> <th>DESCRIPTION</th> <th>PART NUMBER</th> <th>PRICE</th> </tr> </thead> <tbody> <tr> <td><input type="radio"/> IDIADL5</td> <td>1. Tray</td> <td>£294.40</td> </tr> <tr> <td><input type="radio"/> IDATD01W</td> <td>2. Door</td> <td>£450</td> </tr> <tr> <td><input type="radio"/> IDAWJ03W</td> <td>3. Jamb panel</td> <td>£90</td> </tr> <tr> <td><input type="radio"/> IDAPK01W</td> <td>4. Pole set</td> <td>£70</td> </tr> <tr> <td><input type="radio"/> IDGRL4330W</td> <td>5. Curtain rail</td> <td>£38</td> </tr> <tr> <td><input type="radio"/> IDGSS22</td> <td>6. Curtain</td> <td>£32</td> </tr> </tbody> </table>	DESCRIPTION	PART NUMBER	PRICE	<input type="radio"/> IDIADL5	1. Tray	£294.40	<input type="radio"/> IDATD01W	2. Door	£450	<input type="radio"/> IDAWJ03W	3. Jamb panel	£90	<input type="radio"/> IDAPK01W	4. Pole set	£70	<input type="radio"/> IDGRL4330W	5. Curtain rail	£38	<input type="radio"/> IDGSS22	6. Curtain	£32			
DESCRIPTION	PART NUMBER	PRICE																						
<input type="radio"/> IDIADL5	1. Tray	£294.40																						
<input type="radio"/> IDATD01W	2. Door	£450																						
<input type="radio"/> IDAWJ03W	3. Jamb panel	£90																						
<input type="radio"/> IDAPK01W	4. Pole set	£70																						
<input type="radio"/> IDGRL4330W	5. Curtain rail	£38																						
<input type="radio"/> IDGSS22	6. Curtain	£32																						

SYMBOLS:

Bulk/oversized item



Made to order (see P200)



Tel: 0800 917 0399

www.chilterninvadex.co.uk

Fax: +44 (0) 1869 365588

sales@chilterninvadex.co.uk

ABBEYDALE 760 EASY ACCESS SHOWER

HOW TO ORDER

- 1 CHOOSE SHOWER TRAY**
- 2 CHOOSE A COMBINED TRAY/DOOR KIT OPTION** (this is a complete kit)
 Gravity vertical option (p41)
- 3 ADDITIONAL OPTION**
 Shower waste pump kit (choose this option if a pump is required) - see p48-49

Door and enclosure kit contents:

- Door kit (c/w Trifold door)
- Half height fixed panels
- Assistance poles (1950mm) to Curtain Rail (floor to Ceiling poles available as an option - additional £15. Please confirm height requirement)
- Curtain Track and Hooks to suit door option
- White Shower Curtain
- Fitting instructions
- See p143 for Shower units (optional extra)

Shower tray contents:

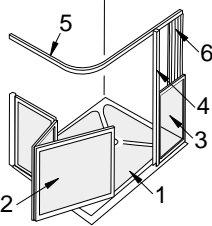
- White shower tray
- Tray Edging Cover Strip
- Fitting instructions

IMPORTANT NOTE: Trays and door kits on this page are supplied under one code as a complete kit.

RIGHT HAND TRAY To order tick the relevant circle and fax back.

1 SHOWER TRAY SIZE	2 SHOWER TRAY/ TRIFOLD DOOR KIT		SHOWER TRAY/ SPECIAL DOOR KIT	
RIGHT HAND 760 TRAY 	Order as a complete tray & door kit using part no's shown right. Waste detail shown on p39-40. <input type="checkbox"/>		<input type="radio"/> IDAD760RHTL Price £815 	<input type="radio"/> SEE PAGE 67 

PARTS

RIGHT HAND 760 (TRIFOLD DOOR KIT)		Notes: For shower tray part number see below Inwaste included - see pages 39-40. Shower Waste Pump option - see p48-49																					
<table border="1"> <thead> <tr> <th>DESCRIPTION</th> <th>PART NUMBER</th> <th>PRICE</th> </tr> </thead> <tbody> <tr> <td><input type="radio"/> IDIADR5</td> <td>1. Tray</td> <td>£294.40</td> </tr> <tr> <td><input type="radio"/> IDATD02W</td> <td>2. Door</td> <td>£450</td> </tr> <tr> <td><input type="radio"/> IDAWJ04W</td> <td>3. Jamb panel</td> <td>£90</td> </tr> <tr> <td><input type="radio"/> IDAPK02W</td> <td>4. Pole set</td> <td>£70</td> </tr> <tr> <td><input type="radio"/> IDGRL4330W</td> <td>5. Curtain rail</td> <td>£38</td> </tr> <tr> <td><input type="radio"/> IDGSS22</td> <td>6. Curtain</td> <td>£32</td> </tr> </tbody> </table>	DESCRIPTION	PART NUMBER	PRICE	<input type="radio"/> IDIADR5	1. Tray	£294.40	<input type="radio"/> IDATD02W	2. Door	£450	<input type="radio"/> IDAWJ04W	3. Jamb panel	£90	<input type="radio"/> IDAPK02W	4. Pole set	£70	<input type="radio"/> IDGRL4330W	5. Curtain rail	£38	<input type="radio"/> IDGSS22	6. Curtain	£32		
DESCRIPTION	PART NUMBER	PRICE																					
<input type="radio"/> IDIADR5	1. Tray	£294.40																					
<input type="radio"/> IDATD02W	2. Door	£450																					
<input type="radio"/> IDAWJ04W	3. Jamb panel	£90																					
<input type="radio"/> IDAPK02W	4. Pole set	£70																					
<input type="radio"/> IDGRL4330W	5. Curtain rail	£38																					
<input type="radio"/> IDGSS22	6. Curtain	£32																					

SYMBOLS:

Bulk/oversized item



Made to order (see P200)



Tel: 0800 917 0399

www.chilterninvadex.co.uk

Fax: +44 (0) 1869 365588

sales@chilterninvadex.co.uk

ABBEYDALE 850 EASY ACCESS SHOWER

HOW TO ORDER

- 1 CHOOSE SHOWER TRAY**
- 2 CHOOSE A COMBINED TRAY/DOOR KIT OPTION G1 (this is a complete kit)**
 G1.1 Gravity vertical option (p41)
- 3 ADDITIONAL OPTION**
 P2 Shower waste pump kit (choose this option if a pump is required) - see p48-49

Door and enclosure kit contents:

- Door kit (c/w Trifold door)
- Half height fixed panels
- Assistance poles (1950mm) to Curtain Rail (floor to Ceiling poles available as an option - additional £15. Please confirm height requirement)
- Curtain Track and Hooks to suit door option
- White Shower Curtain
- Fitting instructions
- See p143 for Shower units (optional extra)

Shower tray contents:

- White shower tray
- Tray Edging Cover Strip
- Fitting instructions

IMPORTANT NOTE: Trays and door kits on this page are supplied under one code as a complete kit.

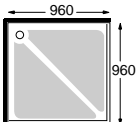
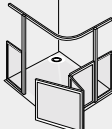
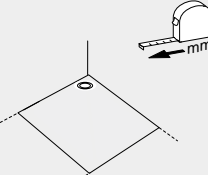
SQUARE 850 TRAY (NOT HANDED) LEFT HAND DOOR

To order tick the relevant circle and fax back.

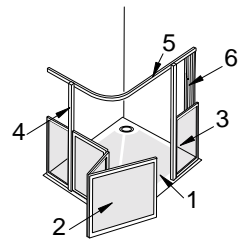
1		2			
SHOWER TRAY SIZE		SHOWER TRAY/LEFT HAND TRIFOLD DOOR KIT	SHOWER TRAY/ SPECIAL DOOR KIT		
SQUARE 850 TRAY 	Order as a complete tray & door kit using part no's shown right. Waste detail shown on p39-40. G1	<input type="radio"/> IDAD850LHTL Price £815 	<input type="radio"/> SEE PAGE 67 		

SQUARE 850 TRAY (NOT HANDED) RIGHT HAND DOOR

To order tick the relevant circle and fax back.

1		2			
SHOWER TRAY SIZE		SHOWER TRAY/RIGHT HAND TRIFOLD DOOR KIT	SHOWER TRAY/ SPECIAL DOOR KIT		
SQUARE 850 TRAY 	Order as a complete tray & door kit using part no's shown right. Waste detail shown on p39-40. G1	<input type="radio"/> IDAD850RHTL Price £815 	<input type="radio"/> SEE PAGE 67 		

PARTS

<p>SQUARE 850 TRAY (RIGHT HAND DOOR)</p>  <p>Notes: For shower tray part number see below</p> <p>Inwaste included - see pages 39-40.</p> <p>Shower Waste Pump option - see p48-49</p>	<p>SQUARE 850 TRAY (LEFT HAND DOOR)</p> 				
DESCRIPTION	PART NUMBER	PRICE	DESCRIPTION	PART NUMBER	PRICE
<input type="radio"/> IDIADL11	1. Tray	£294.40	<input type="radio"/> IDIADL11	1. Tray	£294.40
<input type="radio"/> IDATD06W	2. Door	£450	<input type="radio"/> IDATD05W	2. Door	£450
<input type="radio"/> IDAAD850W	3. Jamb panel	£110	<input type="radio"/> IDAAD850W	3. Jamb panel	£110
<input type="radio"/> IDASWP02W	4. Pole set	£110	<input type="radio"/> IDASWP01W	4. Pole set	£110
<input type="radio"/> IDGRL36W	5. Curtain rail	£38	<input type="radio"/> IDGRL36W	5. Curtain rail	£38
<input type="radio"/> IDGSS22	6. Curtain	£32	<input type="radio"/> IDGSS22	6. Curtain	£32

SYMBOLS:

Bulk/oversized item



Made to order (see P200)



Tel: 0800 917 0399

www.chilterninvadex.co.uk

Fax: +44 (0) 1869 365588

sales@chilterninvadex.co.uk

ABBEYDALE 950 EASY ACCESS SHOWER

HOW TO ORDER

- 1 CHOOSE SHOWER TRAY**
- 2 CHOOSE A COMBINED TRAY/DOOR KIT OPTION G1 (this is a complete kit)**
 G1.1 Gravity vertical option (p41)
- 3 ADDITIONAL OPTION**
 P2 Shower waste pump kit
 (choose this option if a pump is required) - see p48-49

Door and enclosure kit contents:

- Door kit (c/w Trifold door)
- Half height fixed panels
- Assistance poles (1950mm) to Curtain Rail (floor to Ceiling poles available as an option - additional £15. Please confirm height requirement)
- Curtain Track and Hooks to suit door option
- White Shower Curtain
- Fitting instructions
- See p143 for Shower units (optional extra)

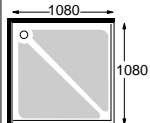
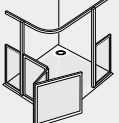
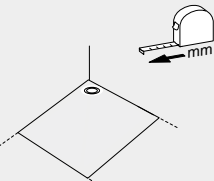
Shower tray contents:

- White shower tray
- Tray Edging Cover Strip
- Fitting instructions

IMPORTANT NOTE: Trays and door kits on this page are supplied under one code as a complete kit.

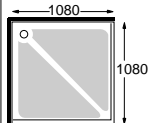
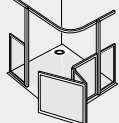
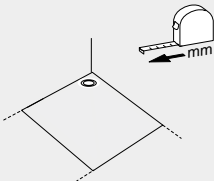
SQUARE 950 TRAY (NOT HANDED) LEFT HAND DOOR

To order tick the relevant circle and fax back.

1 SHOWER TRAY SIZE	TRAY PART NUMBER	2 SHOWER TRAY/LEFT HAND TRIFOLD DOOR KIT	SHOWER TRAY/SPECIAL DOOR KIT
SQUARE 950 TRAY 	Order as a G1 complete tray & door kit using part no's shown right. Waste detail shown on p39-40.	<input type="radio"/> IDAD950LHTL Price £815 	<input type="radio"/> SEE PAGE 49 

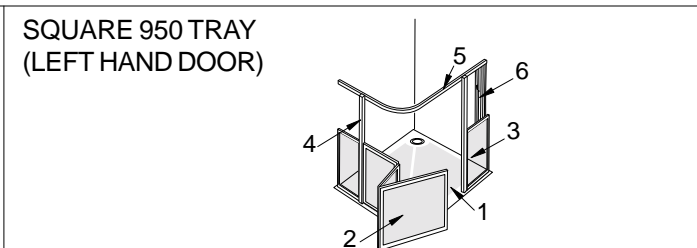
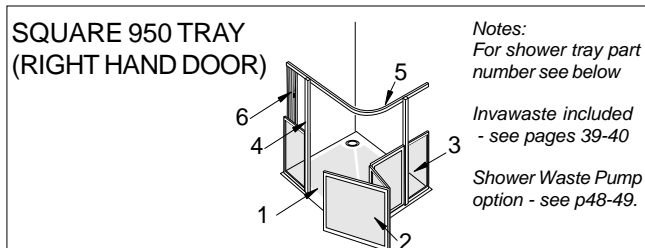
SQUARE 950 TRAY (NOT HANDED) RIGHT HAND DOOR

To order tick the relevant circle and fax back.

1 SHOWER TRAY SIZE	TRAY PART NUMBER	2 SHOWER TRAY/RIGHT HAND TRIFOLD DOOR KIT	SHOWER TRAY/SPECIAL DOOR KIT
SQUARE 950 TRAY 	Order as a G1 complete tray & door kit using part no's shown right. Waste detail shown on p39-40.	<input type="radio"/> IDAD950RHTL Price £815 	<input type="radio"/> SEE PAGE 49 

PARTS

DESCRIPTION	PART NUMBER	PRICE	DESCRIPTION	PART NUMBER	PRICE
<input type="radio"/> IDIADL7	1. Tray	£314.30	<input type="radio"/> IDIADL7	1. Tray	£314.30
<input type="radio"/> IDATD06W	2. Door	£450	<input type="radio"/> IDATD05W	2. Door	£450
<input type="radio"/> IDAAD950W	3. Jamb panel	£145	<input type="radio"/> IDAAD950W	3. Jamb panel	£145
<input type="radio"/> IDASWP02W	4. Pole set	£110	<input type="radio"/> IDASWP01W	4. Pole set	£110
<input type="radio"/> IDGRL37W	5. Curtain rail	£40	<input type="radio"/> IDGRL37W	5. Curtain rail	£40
<input type="radio"/> IDGSS22	6. Curtain	£32	<input type="radio"/> IDGSS22	6. Curtain	£32



SYMBOLS:

Bulk/oversized item



Made to order (see P200)



Tel: 0800 917 0399

www.chilterninvadex.co.uk

Fax: +44 (0) 1869 365588

sales@chilterninvadex.co.uk

ABBEYDALE 1050 EASY ACCESS SHOWER

HOW TO ORDER

- 1 CHOOSE SHOWER TRAY**
- 2 CHOOSE A COMBINED TRAY/DOOR KIT OPTION **G1** (this is a complete kit)**
- G1.1** Gravity vertical option (p41)
- 3 ADDITIONAL OPTION**
- P2** Shower waste pump kit (choose this option if a pump is required) - see p48-49

Door and enclosure kit contents:

- Door kit (c/w Trifold door)
- Half height fixed panels
- Assistance poles (1950mm) to Curtain Rail (floor to Ceiling poles available as an option - additional £15. Please confirm height requirement)
- Curtain Track and Hooks to suit door option
- White Shower Curtain
- Fitting instructions
- See p143 for Shower units (optional extra)

Shower tray contents:

- White shower tray
- Tray Edging Cover Strip
- Fitting instructions

IMPORTANT NOTE: Trays and door kits on this page are supplied under one code as a complete kit.

SQUARE 1050 TRAY (NOT HANDED) LEFT HAND DOOR

To order tick the relevant circle and fax back.

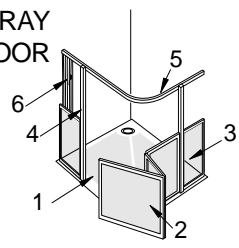
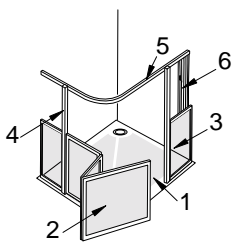
1		2			
SHOWER TRAY SIZE		SHOWER TRAY/LEFT HAND TRIFOLD DOOR KIT	SHOWER TRAY/SPECIAL DOOR KIT		
SQUARE 1050 TRAY 	<input type="radio"/> Order as a G1 complete tray & door kit using part no's shown right. Waste detail shown on p39-40.	<input type="radio"/> IDAD1050LHTL Price £815  	<input type="radio"/> SEE PAGE 67 		

SQUARE 1050 TRAY (NOT HANDED) RIGHT HAND DOOR

To order tick the relevant circle and fax back.


1		2			
SHOWER TRAY SIZE		SHOWER TRAY/RIGHT HAND TRIFOLD DOOR KIT	SHOWER TRAY/SPECIAL DOOR KIT		
SQUARE 1050 TRAY 	<input type="radio"/> Order as a G1 complete tray & door kit using part no's shown right. Waste detail shown on p39-40.	<input type="radio"/> IDAD1050RHTL Price £815  	<input type="radio"/> SEE PAGE 67 		

PARTS

<p>SQUARE 1050 TRAY (RIGHT HAND DOOR)</p>  <p><i>Notes:</i> For shower tray part number see below</p> <p><i>Inwaste included - see pages 39-40.</i></p> <p><i>Shower Waste Pump option - see p48-49.</i></p>	<p>SQUARE 1050 TRAY (LEFT HAND DOOR)</p> 																																										
<table border="1" style="width: 100%;"> <thead> <tr> <th>PART NUMBER</th> <th>DESCRIPTION</th> <th>PRICE</th> </tr> </thead> <tbody> <tr> <td><input type="radio"/> IDIADL9</td> <td>1. Tray</td> <td>£372.60</td> </tr> <tr> <td><input type="radio"/> IDATD06W</td> <td>2. Door</td> <td>£450</td> </tr> <tr> <td><input type="radio"/> IDAAD1050W</td> <td>3. Jamb panel</td> <td>£175</td> </tr> <tr> <td><input type="radio"/> IDASWP02W</td> <td>4. Pole set</td> <td>£110</td> </tr> <tr> <td><input type="radio"/> IDGRL41W</td> <td>5. Curtain rail</td> <td>£44</td> </tr> <tr> <td><input type="radio"/> IDGSS22</td> <td>6. Curtain</td> <td>£32</td> </tr> </tbody> </table>	PART NUMBER	DESCRIPTION	PRICE	<input type="radio"/> IDIADL9	1. Tray	£372.60	<input type="radio"/> IDATD06W	2. Door	£450	<input type="radio"/> IDAAD1050W	3. Jamb panel	£175	<input type="radio"/> IDASWP02W	4. Pole set	£110	<input type="radio"/> IDGRL41W	5. Curtain rail	£44	<input type="radio"/> IDGSS22	6. Curtain	£32	<table border="1" style="width: 100%;"> <thead> <tr> <th>PART NUMBER</th> <th>DESCRIPTION</th> <th>PRICE</th> </tr> </thead> <tbody> <tr> <td><input type="radio"/> IDIADL9</td> <td>1. Tray</td> <td>£372.60</td> </tr> <tr> <td><input type="radio"/> IDATD05W</td> <td>2. Door</td> <td>£450</td> </tr> <tr> <td><input type="radio"/> IDAAD1050W</td> <td>3. Jamb panel</td> <td>£175</td> </tr> <tr> <td><input type="radio"/> IDASWP01W</td> <td>4. Pole set</td> <td>£110</td> </tr> <tr> <td><input type="radio"/> IDGRL41W</td> <td>5. Curtain rail</td> <td>£44</td> </tr> <tr> <td><input type="radio"/> IDGSS22</td> <td>6. Curtain</td> <td>£32</td> </tr> </tbody> </table>	PART NUMBER	DESCRIPTION	PRICE	<input type="radio"/> IDIADL9	1. Tray	£372.60	<input type="radio"/> IDATD05W	2. Door	£450	<input type="radio"/> IDAAD1050W	3. Jamb panel	£175	<input type="radio"/> IDASWP01W	4. Pole set	£110	<input type="radio"/> IDGRL41W	5. Curtain rail	£44	<input type="radio"/> IDGSS22	6. Curtain	£32
PART NUMBER	DESCRIPTION	PRICE																																									
<input type="radio"/> IDIADL9	1. Tray	£372.60																																									
<input type="radio"/> IDATD06W	2. Door	£450																																									
<input type="radio"/> IDAAD1050W	3. Jamb panel	£175																																									
<input type="radio"/> IDASWP02W	4. Pole set	£110																																									
<input type="radio"/> IDGRL41W	5. Curtain rail	£44																																									
<input type="radio"/> IDGSS22	6. Curtain	£32																																									
PART NUMBER	DESCRIPTION	PRICE																																									
<input type="radio"/> IDIADL9	1. Tray	£372.60																																									
<input type="radio"/> IDATD05W	2. Door	£450																																									
<input type="radio"/> IDAAD1050W	3. Jamb panel	£175																																									
<input type="radio"/> IDASWP01W	4. Pole set	£110																																									
<input type="radio"/> IDGRL41W	5. Curtain rail	£44																																									
<input type="radio"/> IDGSS22	6. Curtain	£32																																									

SYMBOLS:

Bulk/oversized item 

Made to order (see P200) 

Tel: 0800 917 0399

www.chilterninvadex.co.uk

Fax: +44 (0) 1869 365588

sales@chilterninvadex.co.uk

DOVEDALE MK2 EASY ACCESS SHOWER (ABOVE FLOOR WASTE)

HOW TO ORDER

- 1 CHOOSE SHOWER TRAY WASTE OUTLET POSITION (A OR D)
- 2 CHOOSE A COMBINED TRAY/DOOR KIT OPTION **G2** (this is a complete kit)
- 3 ADDITIONAL OPTION
 - P2** Shower waste pump kit (choose this option if a pump is required) - see p48-49

Door and enclosure kit contents:

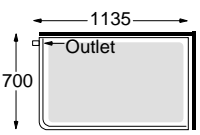
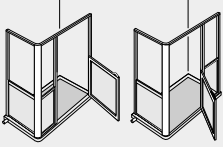
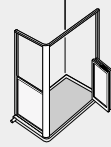
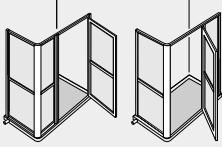
- Door and enclosure kit contents:
- Half height fixed panel (820mm height)
- Door set
- Full height assistance pole
- Curtain Track and Hooks to suit door option
- White Shower Curtain
- Grab Pole to L-shaped Curtain Rail (Grab Pole to Ceiling available as an option - additional £15. Please confirm height requirement)
- Fitting instructions

Shower tray contents:

- White shower tray
- Fitting instructions
- See p143 for Shower units (optional extra)

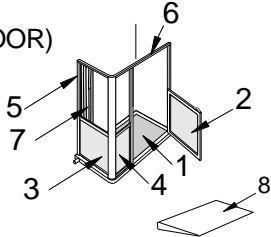
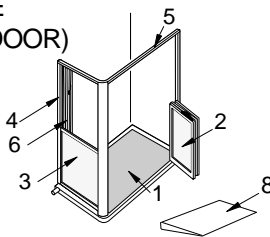
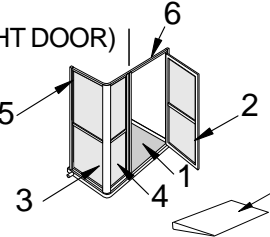
IMPORTANT NOTE: Trays and door kits on this page are supplied under one code as a complete kit.

WASTE POSITIONS A&D To order tick the relevant circle and fax back.

1 SHOWER TRAY SIZE		2 SHOWER TRAY/ SINGLE DOOR KIT	SHOWER TRAY/ TRIFOLD DOOR KIT	SHOWER TRAY/ FULL HEIGHT DOOR	SHOWER TRAY/ IMPRESSIONS DOOR KIT
WASTE POSITION A 	Order as a complete tray & door kit using part no's shown right. Waste detail shown on p41 G2	<input type="radio"/> IDDDAHH Price £815 	<input type="radio"/> IDDDATL Price £815 	<input type="radio"/> IDDDAFH Price £815 	<input type="radio"/> SEE PAGES 84-87 for the polished chrome (or white) & glass Impressions Collection range

1 SHOWER TRAY SIZE		2 SHOWER TRAY/ SINGLE DOOR KIT	SHOWER TRAY/ TRIFOLD DOOR KIT	SHOWER TRAY/ FULL HEIGHT DOOR	SHOWER TRAY/ IMPRESSIONS DOOR KIT
WASTE POSITION D tray & door kit 	Order as a complete tray & door kit using part no's shown right. Waste detail shown on p41 G2	<input type="radio"/> IDDDDH Price £815 	<input type="radio"/> IDDDDTL Price £815 	<input type="radio"/> IDDDDFH Price £815 	<input type="radio"/> SEE PAGES 84-87 for the polished chrome (or white) & glass Impressions Collection range

PARTS

DOVEDALE (SINGLE DOOR) OUTLETS A & D			DOVEDALE (TRIFOLD DOOR) OUTLETS A & D			DOVEDALE (FULL HEIGHT DOOR) OUTLETS A & D		
Note: Outlet position A Illustrated 			Note: Outlet position A Illustrated 			Note: Outlet position A Illustrated 		
DESCRIPTION	PART NUMBER	PRICE	DESCRIPTION	PART NUMBER	PRICE	DESCRIPTION	PART NUMBER	PRICE
<input type="radio"/> IDIDD10	1. Tray option A	£296.60	<input type="radio"/> IDIDD10	1. Tray option A	£296.60	<input type="radio"/> IDIDD10	1. Tray option A	£296.60
<input type="radio"/> IDIDD18	1. Tray option D	£296.60	<input type="radio"/> IDIDD18	1. Tray option D	£296.60	<input type="radio"/> IDIDD18	1. Tray option D	£296.60
<input type="radio"/> IDADD02W	2. Door	£415	<input type="radio"/> IDADTD02W	2. Door	£450	<input type="radio"/> IDADFD02W	2. Door	£450
<input type="radio"/> IDADSP01W	3. Side Jamb	£105	<input type="radio"/> IDADSP01W	3. Side Jamb	£105	<input type="radio"/> IDADFSP01W	3. Side Jamb	£135
<input type="radio"/> IDADSP02W	4. Front Jamb	£75	<input type="radio"/> IDADP02W	4. Frame set	£140	<input type="radio"/> IDADFSP02W	4. Front Jamb	£85
<input type="radio"/> IDADP01W	5. Frame set	£95	<input type="radio"/> IDGRL4224W	5. Curtain rail	£42	<input type="radio"/> IDADFP01W	5. Frame set	£215
<input type="radio"/> IDGRL4224W	6. Curtain rail	£42	<input type="radio"/> IDGSS22	6. Curtain	£32	<input type="radio"/> IDGRL4224W	6. Curtain rail	£42
<input type="radio"/> IDGSS22	7. Curtain	£32.00	<input type="radio"/> IDIDD14	8. Ramp	£45.33	<input type="radio"/> IDIDD14	8. Ramp	£45.33
<input type="radio"/> IDIDD14	8. Ramp	£45.33						

Note: Spare parts for Impressions Collection Door Kits/Special Door Kits - Please refer to Technical Helpdesk on 01869 365500

SYMBOLS:

Bulk/oversized item



Made to order (see P200)



Tel: 0800 917 0399

www.chilterninvadex.co.uk

Fax: +44 (0) 1869 365588

sales@chilterninvadex.co.uk

DOVEDALE MK2 EASY ACCESS SHOWER (ABOVE FLOOR WASTE)

HOW TO ORDER

- 1 CHOOSE SHOWER TRAY WASTE OUTLET POSITION (B OR C)
- 2 CHOOSE A COMBINED TRAY/DOOR KIT OPTION **G2** (this is a complete kit)
- 3 ADDITIONAL OPTION
 - P2** Shower waste pump kit (choose this option if a pump is required) - see p48-49

Door and enclosure kit contents:

- Door and enclosure kit contents:
- Half height fixed panel (820mm height)
- Door set
- Full height assistance pole
- Curtain Track and Hooks to suit door option
- White Shower Curtain
- Grab Pole to L-shaped Curtain Rail (Grab Pole to Ceiling available as an option - additional £15. Please confirm height requirement)
- Fitting instructions

Shower tray contents:

- White shower tray
- Fitting instructions
- See p143 for Shower units (optional extra)

IMPORTANT NOTE: Trays and door kits on this page are supplied under one code as a complete kit.

WASTE POSITIONS B&C To order tick the relevant circle and fax back.

1 SHOWER TRAY SIZE		2 SHOWER TRAY/ SINGLE DOOR KIT	SHOWER TRAY/ TRIFOLD DOOR KIT	SHOWER TRAY/ FULL HEIGHT DOOR	SHOWER TRAY/ IMPRESSIONS DOOR KIT
WASTE POSITION B 	Order as a complete tray & door kit using part no's shown right. Waste detail shown on p41 G2	<input type="radio"/> IDDDBHH Price £815 	<input type="radio"/> IDDDBTL Price £815 	<input type="radio"/> IDDDBFH Price £815 	<input type="radio"/> SEE PAGES 84-87 for the polished chrome (or white) & glass Impressions Collection range

1 SHOWER TRAY SIZE		2 SHOWER TRAY/ SINGLE DOOR KIT	SHOWER TRAY/ TRIFOLD DOOR KIT	SHOWER TRAY/ FULL HEIGHT DOOR	SHOWER TRAY/ IMPRESSIONS DOOR KIT
WASTE POSITION C 	Order as a complete tray & door kit using part no's shown right. Waste detail shown on p41 G2	<input type="radio"/> IDDDCHH Price £815 	<input type="radio"/> IDDDCTL Price £815 	<input type="radio"/> IDDDCFH Price £815 	<input type="radio"/> SEE PAGES 84-87 for the polished chrome (or white) & glass Impressions Collection range

PARTS

DOVEDALE (SINGLE DOOR) OUTLETS B & C			DOVEDALE (TRIFOLD DOOR) OUTLETS B & C			DOVEDALE (FULL HEIGHT DOOR) OUTLETS B & C		
Note: Outlet position B Illustrated 			Note: Outlet position B Illustrated 			Note: Outlet position B Illustrated 		
DESCRIPTION	PART NUMBER	PRICE	DESCRIPTION	PART NUMBER	PRICE	DESCRIPTION	PART NUMBER	PRICE
<input type="radio"/> IDIDD16	1. Tray option B	£296.60	<input type="radio"/> IDIDD16	1. Tray option A	£296.60	<input type="radio"/> IDIDD16	1. Tray option B	£296.60
<input type="radio"/> IDIDD12	1. Tray option C	£296.60	<input type="radio"/> IDIDD12	1. Tray option D	£296.60	<input type="radio"/> IDIDD12	1. Tray option C	£296.60
<input type="radio"/> IDADD01W	2. Door	£415	<input type="radio"/> IDADTD01W	2. Door	£450	<input type="radio"/> IDADFD01W	2. Door	£450
<input type="radio"/> IDADSP01W	3. Side Jamb	£105	<input type="radio"/> IDADSP01W	3. Side Jamb	£105	<input type="radio"/> IDADFSP01W	3. Side Jamb	£135
<input type="radio"/> IDADSP02W	4. Front Jamb	£75	<input type="radio"/> IDADP02W	4. Frame set	£140	<input type="radio"/> IDADFSP02W	4. Front Jamb	£85
<input type="radio"/> IDADP01W	5. Frame set	£95	<input type="radio"/> IDGRL4224W	5. Curtain rail	£42	<input type="radio"/> IDADFP01W	5. Frame set	£215
<input type="radio"/> IDGRL4224W	6. Curtain rail	£42	<input type="radio"/> IDGSS22	6. Curtain	£32	<input type="radio"/> IDGRL4224W	6. Curtain rail	£42
<input type="radio"/> IDGSS22	7. Curtain	£32	<input type="radio"/> IDIDD14	8. Ramp	£45.33	<input type="radio"/> IDIDD14	8. Ramp	£45.33
<input type="radio"/> IDIDD14	8. Ramp	£45.33						

Note: Spare parts for Impressions Collection Door Kits/Special Door Kits - Please refer to Technical Helpdesk on 01869 365500

SYMBOLS:
 Bulk/oversized item
 Made to order (see P200)

Tel: 0800 917 0399

www.chilterninvadex.co.uk

Fax: +44 (0) 1869 365588

sales@chilterninvadex.co.uk

EDALE MK2 EASY ACCESS SHOWER (ABOVE FLOOR WASTE)

HOW TO ORDER

1 CHOOSE SHOWER TRAY

2 CHOOSE A COMBINED TRAY/DOOR KIT OPTION **G2** (this is a complete kit)

3 ADDITIONAL OPTION

P2 Shower waste pump kit (choose this option if a pump is required) - see p48-49

Door and enclosure kit contents:

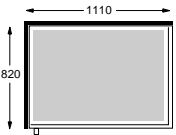
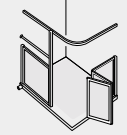
- Half height fixed panel (820mm height)
- Door set (c/w rising butt hinge on Tri-fold door)
- Full height assistance pole
- Curtain Track and Hooks to suit door option
- White Shower Curtain
- Grab Pole to L-shaped Curtain Rail (Grab Pole to Ceiling available as an option - additional £15. Please confirm height requirement)
- Optional ramp shown in spare parts section
- Fitting instructions

Shower tray contents:

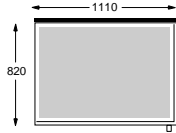
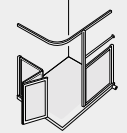
- White shower tray
- Tray Edging Cover Strip
- Fitting instructions
- See p143 for Shower units (optional extra)

IMPORTANT NOTE: Trays and door kits on this page are supplied under one code as a complete kit (excluding ramp).

LEFT HAND To order tick the relevant circle and fax back.

1		2			
SHOWER TRAY SIZE		SHOWER TRAY/ SINGLE DOOR	SHOWER TRAY/ TRIFOLD DOOR KIT	SHOWER TRAY/ FULL HEIGHT DOOR	SHOWER TRAY/ IMPRESSIONS DOOR KIT
LEFT HAND EDALE 	Order as a G2 complete tray & door kit using part no's shown right. Waste detail shown on p41	<input type="radio"/> NOT AVAILABLE	<input type="radio"/> IDEDLHTL Price £815 	<input type="radio"/> NOT AVAILABLE	<input type="radio"/> NOT AVAILABLE

RIGHT HAND To order tick the relevant circle and fax back.

1		2			
SHOWER TRAY SIZE		SHOWER TRAY/ SINGLE DOOR	SHOWER TRAY/ TRIFOLD DOOR KIT	SHOWER TRAY/ FULL HEIGHT DOOR	SHOWER TRAY/ IMPRESSIONS DOOR KIT
RIGHT HAND EDALE 	Order as a G2 complete tray & door kit using part no's shown right. Waste detail shown on p41	<input type="radio"/> NOT AVAILABLE	<input type="radio"/> IDEDRHTL Price £815 	<input type="radio"/> NOT AVAILABLE	<input type="radio"/> NOT AVAILABLE

PARTS

EDALE (LEFT HAND WASTE)			EDALE (RIGHT HAND WASTE)		
DESCRIPTION	PART NUMBER	PRICE	DESCRIPTION	PART NUMBER	PRICE
<input type="radio"/> IDIED10	1. Tray	£262.40	<input type="radio"/> IDIED12	1. Tray	£262.40
<input type="radio"/> IDAETD01W	2. Door	£450	<input type="radio"/> IDAETD02W	2. Door	£450
<input type="radio"/> IDAEJ01W	3. Jamb panel	£215	<input type="radio"/> IDAEJ02W	3. Jamb panel	£215
<input type="radio"/> IDAPK01W	4. Pole set	£70	<input type="radio"/> IDAPK02W	4. Pole set	£70
<input type="radio"/> IDAEPK01W	5. Cross bar	£27	<input type="radio"/> IDAEPK01W	5. Cross bar	£27
<input type="radio"/> IDGRL4230W	6. Curtain rail	£40	<input type="radio"/> IDGRL4230W	6. Curtain rail	£40
<input type="radio"/> IDGSS22	7. Curtain	£32	<input type="radio"/> IDGSS22	7. Curtain	£32
<input type="radio"/> IDIEDR14	8. Ramp	£39	<input type="radio"/> IDIEDR14	8. Ramp	£39

SYMBOLS:

Bulk/oversized item



Made to order (see P200)



Tel: 0800 917 0399

www.chilterninvadex.co.uk

Fax: +44 (0) 1869 365588

sales@chilterninvadex.co.uk