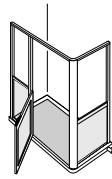
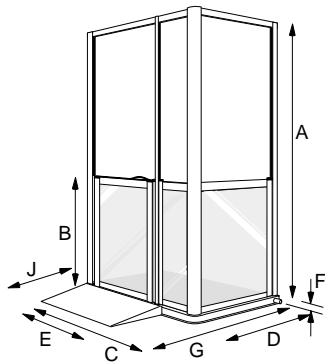


SHOWER TRAY SPECIFICATION GUIDE - EASY ACCESS

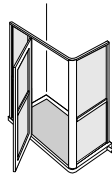
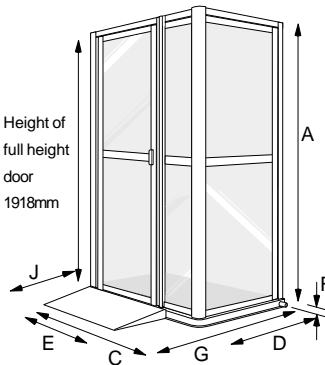
See pages 86-87 for details of How to order

DOVEDALE MK2 MODEL



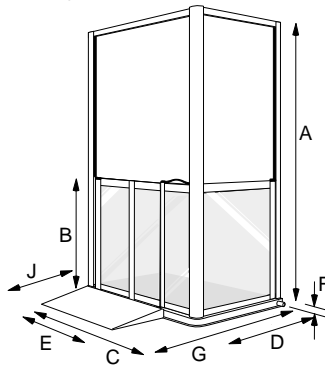
The door layout shown above can be made from the same order code. (Option C shown)

Single door option
Half height door Illustrated



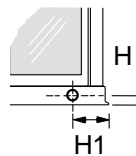
The door layout shown above can be made from the same order code. (Option C shown)

Single door option
Full height door Illustrated



Trifold door Illustrated

REF	DIMENSIONS	DOVEDALE OPTIONS A & D	JAMB DETAIL
A	1950	<p>Clear opening space 610mm</p> <p>OPTION A OPTION D</p>	<p>Plan view</p>
B	820		
C	1135		
D	700		
E	830		
F	80		
G	1045		
H	35		
H1	75		
J	345		
		DOVEDALE OPTIONS B & C	JAMB DETAIL
		<p>Thick black line denotes wall position</p> <p>OPTION B OPTION C</p>	<p>Plan view</p>



Outlet pipe height to centreline

Projection 45mm for coupling up

Pipe diameter 1 1/2" (40mm)

REF	DIMENSIONS	DOVEDALE OPTIONS A & D (trifold door)	JAMB DETAIL
A	1950	<p>Clear opening space 610mm</p> <p>OPTION A OPTION D</p>	
B	820		
C	1135		
D	700		
E	830		
F	80		
G	1045		
H	35		
H1	75		
J	345		
		DOVEDALE OPTIONS B & C (trifold door)	JAMB DETAIL
		<p>Thick black line denotes wall position</p> <p>OPTION B OPTION C</p>	

SHOWER CHAIR COMPATIBILITY



Self propelled models



Attendant propelled models

Notes

Door size: 1110mm x 660mm (including jamb). Front jamb size is 326mm.

Internal showering area: L=1090mm x W=640mm

* Can be boxed in using white half/full height melamine, providing added storage space.

1. Dimension A is to the top of the frame (from the shower tray) - single door

SYMBOLS:

Bulk/oversized item



Made to order (see P200)



Tel: 0800 917 0399

www.chilterninvadex.co.uk

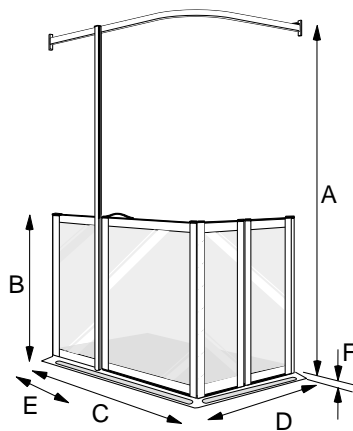
Fax: +44 (0) 1869 365588

sales@chilterninvadex.co.uk

SHOWER TRAY SPECIFICATION GUIDE - EASY ACCESS

See pages 81-82 for details of How to order

ABBEYDALE 760 MODEL



Left hand shower tray Illustrated

REF	DIMENSIONS	ABBEYDALE 760 LEFT HAND TRAY	JAMB DETAIL
A	1950		
B	820		
C	1200		
D	860		
E	400		
F	70		
Thick black line denotes wall position			

Notes

Door size: 1115mm x 760mm (including jamb)

Internal showering area: L= 1095mm x W=740mm

1. Dimension A is to the top of the assistance pole (from the shower tray). A 2500mm floor to ceiling, or 2500mm floor to curtain rail pole (to special order) are also available (both can be trimmed)
2. The Abbeydale 760 is supplied with edging strips. Add 30mm to dimensions C&D
3. Dimensions C&D are measured from the face of the tiling lip

SHOWER CHAIR COMPATIBILITY

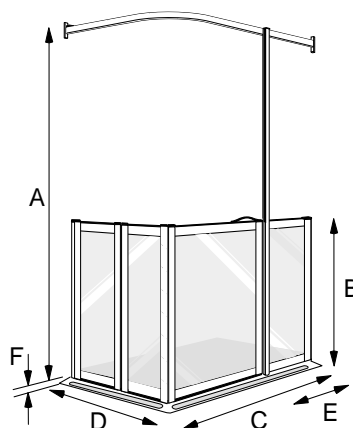


Self propelled models



Attendant propelled models

ABBEYDALE 760 MODEL



Right hand shower tray Illustrated

REF	DIMENSIONS	ABBEYDALE 760 RIGHT HAND TRAY	JAMB DETAIL
A	1950		
B	820		
C	1200		
D	860		
E	400		
F	70		
Thick black line denotes wall position			

Notes

Door size: 1115mm x 760mm (including jamb)

Internal showering area: L= 1095mm x W=740mm

1. Dimension A is to the top of the assistance pole (from the shower tray). A 2500mm floor to ceiling, or 2500mm floor to curtain rail pole (to special order) are also available (both can be trimmed)
2. The Abbeydale 760 is supplied with edging strips. Add 30mm to dimensions C&D
3. Dimensions C&D are measured from the face of the tiling lip

SHOWER CHAIR COMPATIBILITY



Self propelled models



Attendant propelled models

SYMBOLS:

Bulk/oversized item



Made to order (see P200)



Tel: 0800 917 0399

www.chilterninvadex.co.uk

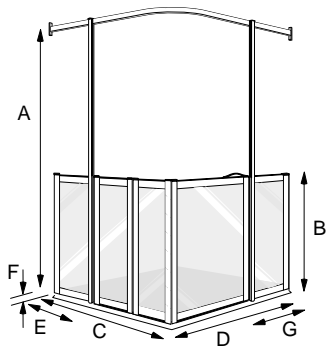
Fax: +44 (0) 1869 365588

sales@chilterninvadex.co.uk

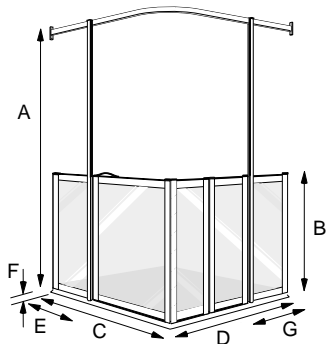
SHOWER TRAY SPECIFICATION GUIDE - EASY ACCESS

See page 83 for details of How to order

ABBEYDALE 850 MODEL



Shower tray not handed
Left hand door Illustrated



Shower tray not handed
Right hand door Illustrated

Ref	Dimensions	ABBEYDALE 850 LEFT HAND DOOR	JAMB DETAIL
A	1950		
B	820		
C	960		
D	960		
E	149		
F	70		
G	149		
Thick black line denotes wall position			

Ref	Dimensions	ABBEYDALE 850 RIGHT HAND DOOR	JAMB DETAIL
A	1950		
B	820		
C	960		
D	960		
E	149		
F	70		
G	149		
Thick black line denotes wall position			

SHOWER CHAIR COMPATIBILITY



Self propelled models



Attendant propelled models

The Abbeydale 850 is not suitable for attendant or self propelling shower chairs, but will accommodate the W02 Static shower chair.

Notes

Door size: 850mm x 850mm (including jambs)
Internal showering area: L=830mm x W=830mm

1. Dimension A is to the top of the assistance pole (from the shower tray). 2500mm floor to ceiling, or 2500mm floor to curtain rail poles (both to special order) are also available (both can be trimmed)
2. The Abbeydale 850 is supplied with an edging strip. Add 30mm to dimensions C&D
3. Dimensions C&D are measured from the face of the tiling lip

SYMBOLS:

Bulk/oversized item



Made to order (see P200)



Tel: 0800 917 0399

www.chilterninvadex.co.uk

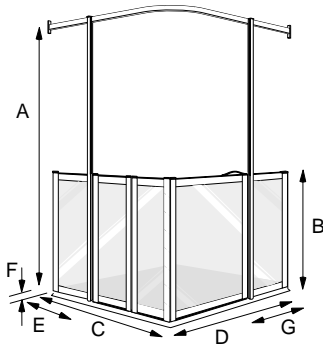
Fax: +44 (0) 1869 365588

sales@chilterninvadex.co.uk

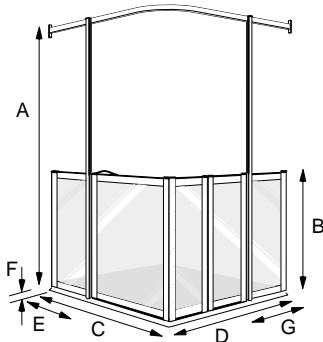
SHOWER TRAY SPECIFICATION GUIDE - EASY ACCESS

See page 84 for details of How to order

ABBEYDALE 950 MODEL



Shower tray not handed
Left hand door Illustrated



Shower tray not handed
Right hand door Illustrated

Ref	Dimensions	ABBEYDALE 950 LEFT HAND DOOR	JAMB DETAIL
A	1950		
B	820		
C	1080		
D	1080		
E	249		
F	70		
G	249		
Thick black line denotes wall position			

Ref	Dimensions	ABBEYDALE 950 RIGHT HAND DOOR	JAMB DETAIL
A	1950		
B	820		
C	1080		
D	1080		
E	249		
F	70		
G	249		
Thick black line denotes wall position			

SHOWER CHAIR COMPATIBILITY



Self propelled models



Attendant propelled models

Notes

Door size: 950mm x 950mm (including jambs)

Internal showering area: L=930mm x W=930mm

1. Dimension A is to the top of the assistance pole (from the shower tray). 2500mm floor to ceiling, or 2500mm floor to curtain rail poles (both to special order) are also available (both can be trimmed)
2. The Abbeydale 950 is supplied with an edging strip. Add 30mm to dimensions C&D
3. Dimensions C&D are measured from the face of the tiling lip

SYMBOLS:

Bulk/oversized item



Made to order (see P200)



Tel: 0800 917 0399

www.chilterninvadex.co.uk

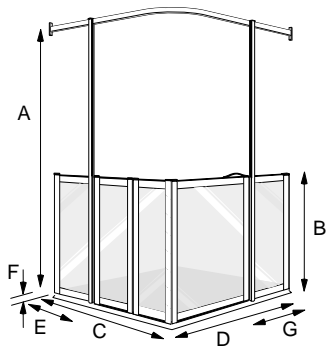
Fax: +44 (0) 1869 365588

sales@chilterninvadex.co.uk

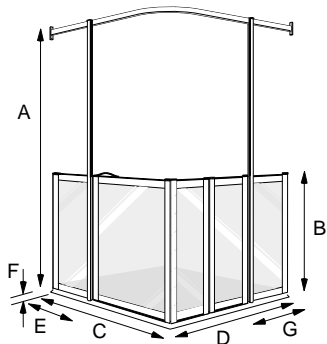
SHOWER TRAY SPECIFICATION GUIDE - EASY ACCESS

See page 85 for details of How to order

ABBEYDALE 1050 MODEL



Shower tray not handed
Left hand door Illustrated



Shower tray not handed
Right hand door Illustrated

Ref	Dimensions	ABBEYDALE 1050 LEFT HAND DOOR	JAMB DETAIL
A	1950		
B	820		
C	1200		
D	1200		
E	349		
F	70		
G	349		
Thick black line denotes wall position			

Ref	Dimensions	ABBEYDALE 1050 RIGHT HAND DOOR	JAMB DETAIL
A	1950		
B	820		
C	1200		
D	1200		
E	349		
F	70		
G	349		
Thick black line denotes wall position			

SHOWER CHAIR COMPATIBILITY



Self propelled models



Attendant propelled models

Notes

Door size 1050mm x 1050mm (including Jamb)
Internal showering area: L= 1030mm x W=1030mm

1. Dimension A is to the top of the assistance pole (from the shower tray). 2500mm floor to ceiling, or 2500mm floor to curtain rail poles (both to special order) are also available (both can be trimmed)
2. The Abbeydale 1050 is supplied with an edging strip. Add 30mm to dimensions C&D
3. Dimensions C&D are measured from the face of the tiling lip

SYMBOLS:

Bulk/oversized item



Made to order (see P200)



Tel: 0800 917 0399

www.chilterninvadex.co.uk

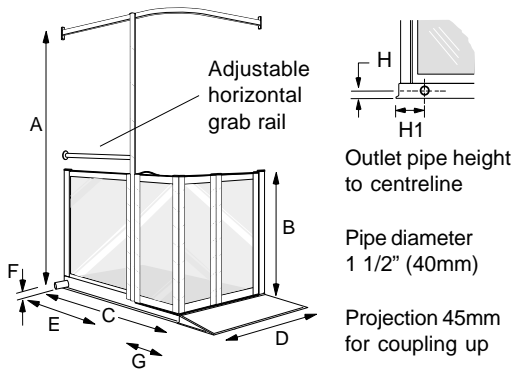
Fax: +44 (0) 1869 365588

sales@chilterninvadex.co.uk

SHOWER TRAY SPECIFICATION GUIDE - EASY ACCESS

See page 88 for details of How to order

EDALE MK2 MODEL



Left hand shower tray Illustrated
Detachable ramp size 790mm x 280mm

SHOWER CHAIR COMPATIBILITY



Self propelled models



Attendant propelled models

REF	DIMENSIONS	EDALE LEFT HAND TRAY	JAMB DETAIL	
A	1950			
B	820			
C	1110			
D	820			
E	744			
F	76			
G	280			
H	40			
H1	80			
				Thick black line denotes wall position
REF	DIMENSIONS			EDALE RIGHT HAND TRAY
A	1950			
B	820			
C	1110			
D	820			
E	744			
F	76			
G	280			
H	40			
H1	80			
				Thick black line denotes wall position

Notes

Door size 1070mm x 760mm (including Jamb)

Ramp width 790mm

Internal showering area: L= 1050mm x W=740mm

* Only 'L' tri-fold door available.

1. Dimension A is to the top of the assistance pole (from the shower tray)
2. Dimensions C&D are measured from the face of the tiling lip
3. The adjustable horizontal grab rail can be positioned at any height on the assistance pole during installation

SYMBOLS:

Bulk/oversized item



Made to order (see P200)



Tel: 0800 917 0399

www.chilterninvadex.co.uk

Fax: +44 (0) 1869 365588

sales@chilterninvadex.co.uk