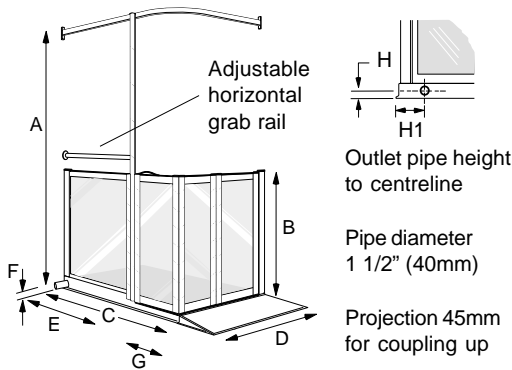


# SHOWER TRAY SPECIFICATION GUIDE - EASY ACCESS

See page 88 for details of How to order

## EDALE MK2 MODEL



Left hand shower tray Illustrated  
Detachable ramp size 790mm x 280mm

### SHOWER CHAIR COMPATIBILITY



Self propelled models



Attendant propelled models

REF	DIMENSIONS	EDALE LEFT HAND TRAY	JAMB DETAIL	
A	1950			
B	820			
C	1110			
D	820			
E	744			
F	76			
G	280			
H	40			
H1	80			
				Thick black line denotes wall position
REF	DIMENSIONS			EDALE RIGHT HAND TRAY
A	1950			
B	820			
C	1110			
D	820			
E	744			
F	76			
G	280			
H	40			
H1	80			
				Thick black line denotes wall position

#### Notes

**Door size** 1070mm x 760mm (including Jamb)

**Ramp width** 790mm

**Internal showering area:** L= 1050mm x W=740mm

\* Only 'L' tri-fold door available.

1. Dimension A is to the top of the assistance pole (from the shower tray)
2. Dimensions C&D are measured from the face of the tiling lip
3. The adjustable horizontal grab rail can be positioned at any height on the assistance pole during installation

#### SYMBOLS:

Bulk/oversized item



Made to order (see P200)



Tel: 0800 917 0399

www.chilterninvadex.co.uk

Fax: +44 (0) 1869 365588

sales@chilterninvadex.co.uk