

FRONT ENTRY SHOWER CUBICLE 100MK2

Cubicle kit contents:

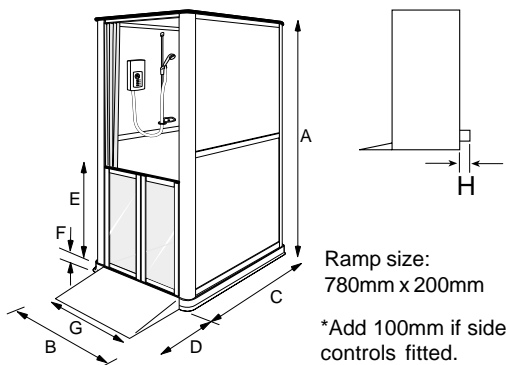
- White Shower Tray
- Full height enclosure pack
- Door set - half height (not handed) or tri-fold (left or right hand) doors
- Curtain Track and Hooks (to suit door option)
- White Shower Curtain
- Detachable ramp
- Grab rails
- Shower unit options shown on p143-144 (not included in package price)
- Fitting instructions

HOW TO ORDER

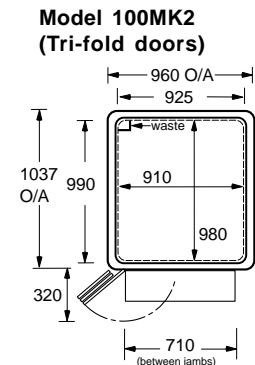
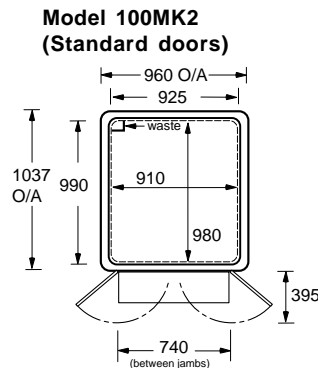


	Option 1	Option 2	Option 3
Cubicle description	Half height door	Trifold (Left hand)	Trifold (Right hand)
100MK2 Cubicle with pumped waste	Part no: SHCU100PW Price: £1590	Part no: SHCU100PW Price: £1590	Part no: SHCU100PW Price: £1590
100MK2 with gravity waste	Part no: SHCU100G Price: £1350	Part no: SHCU100G Price: £1350	Part no: SHCU100G Price: £1350

Technical information



Ref	Dimensions
A	2015
B	960*
C	1037
D	200
E	810
F	45
G	780
H	50



Shower chair compatibility

See page 113 for shower chair compatibility options

Notes: Dimensions are for doors fully open.

Internal dimensions: The width is measured from acrylic panel to acrylic panel. The depth is taken from the back acrylic panel to the inner face of the door.

Chiltern Invadex shower cubicles are available with a large range of options and accessories, allowing the cubicle to be configured to suit specific client requirements. A quick order form is available to help select the appropriate options. Please contact Customer Service for details or to arrange a visit by a Technical Sales Representative.

SYMBOLS:

Bulk/oversized item



Made to order (see P200)



Tel: 0800 917 0399

www.chilterninvadex.co.uk

Fax: +44 (0) 1869 365588

sales@chilterninvadex.co.uk

FRONT ENTRY SHOWER CUBICLE MODEL 75

Cubicle kit contents:

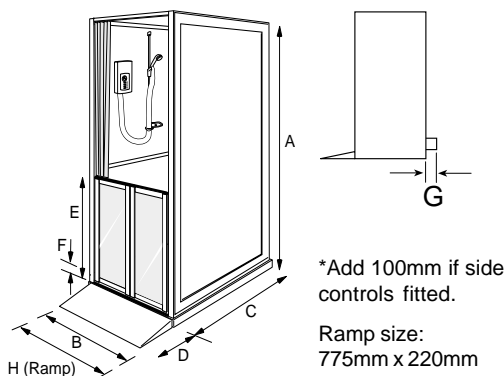
- White Shower Tray with fixed ramp
- Enclosure pack
- Door set - half height (not handed) or tri-fold (left or right hand) doors
- Curtain Track and Hooks (to suit door option)
- White Shower Curtain
- Grab rails
- Shower unit options shown on p143-144 (not included in package price)
- Fitting instructions

HOW TO ORDER



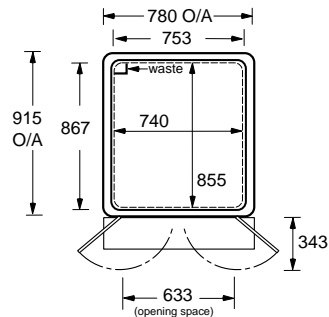
	Option 1	Option 2	Option 3
Cubicle description	Half height door	Trifold (Left hand)	Trifold (Right hand)
75 Cubicle with pumped waste	Part no: SHCU75PW Price: £1590	Part no: SHCU75PW Price: £1590	Part no: SHCU75PW Price: £1590
75 with gravity waste	Part no: SHCU75G Price: £1350	Part no: SHCU75G Price: £1350	Part no: SHCU75G Price: £1350

Technical information

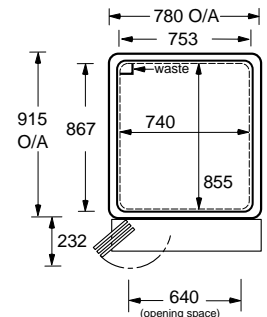


Ref	Dimensions
A	1900
B	780*
C	930
D	215
E	810
F	70
G	50
H	775

Model 75 (Standard doors)



Model 75 (Tri-fold doors)



Shower chair compatibility

See page 113 for shower chair compatibility options

Note: Dimensions are for doors fully open.

Internal dimensions: The width is measured from acrylic panel to acrylic panel. The depth is taken from the back acrylic panel to the inner face of the door.

Chiltern Invadex shower cubicles are available with a large range of options and accessories, allowing the cubicle to be configured to suit specific client requirements. A quick order form is available to help select the appropriate options. Please contact Customer Service for details or to arrange a visit by a Technical Sales Representative.

SYMBOLS:

Bulk/oversized item



Made to order (see P200)



Tel: 0800 917 0399

www.chilterninvadex.co.uk

Fax: +44 (0) 1869 365588

sales@chilterninvadex.co.uk

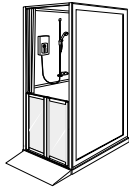
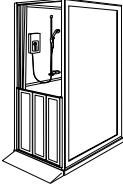
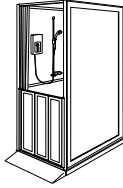
FRONT ENTRY SHOWER CUBICLE MODEL 101

Cubicle kit contents:

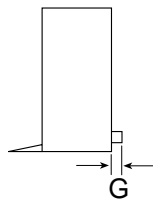
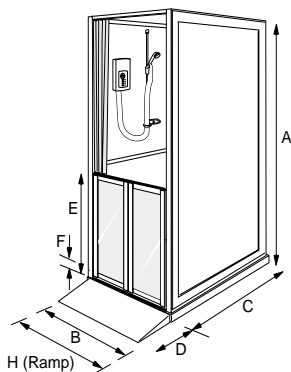
- White Shower Tray
- Full height enclosure pack
- Door set - half height (not handed) or tri-fold (left or right hand) doors
- Curtain Track and Hooks (to suit door option)
- White Shower Curtain
- Detachable ramp
- Grab rails
- Shower unit options shown on p143-144 (not included in package price)
- Fitting instructions

HOW TO ORDER



	Option 1	Option 2	Option 3
			
Cubicle description	Half height door	Trifold (Left hand)	Trifold (Right hand)
101 Cubicle with pumped waste	Part no: SHCU101PW Price: £1590	Part no: SHCU101PW Price: £1590	Part no: SHCU101PW Price: £1590
101 Cubicle with gravity waste	Part no: SHCU101G Price: £1350	Part no: SHCU101G Price: £1350	Part no: SHCU101G Price: £1350

Technical information

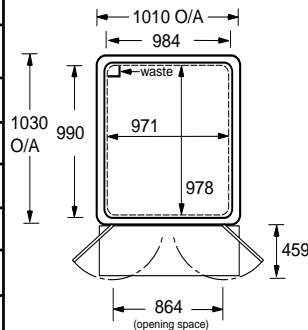


*Add 95mm if side controls fitted.

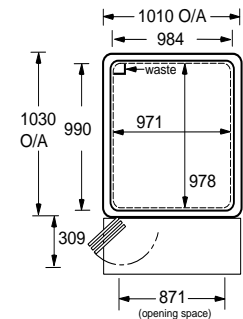
Ramp size:
1000mm x 430mm

Ref	Dimensions
A	1900
B	1010*
C	1030
D	430
E	810
F	70
G	50
H	1000

Model 101 (Standard doors)



Model 101 (Tri-fold doors)



Shower chair compatibility

See page 113 for shower chair compatibility options

Note: Dimensions are for doors fully open.

Internal dimensions: The width is measured from acrylic panel to acrylic panel. The depth is taken from the back acrylic panel to the inner face of the door.

Chiltern Invadex shower cubicles are available with a large range of options and accessories, allowing the cubicle to be configured to suit specific client requirements. A quick order form is available to help select the appropriate options. Please contact Customer Service for details or to arrange a visit by a Technical Sales Representative.

SYMBOLS:

Bulk/oversized item



Made to order (see P200)



Tel: 0800 917 0399

www.chilterninvadex.co.uk

Fax: +44 (0) 1869 365588

sales@chilterninvadex.co.uk

FRONT ENTRY SHOWER CUBICLE MODEL 120

Cubicle kit contents:

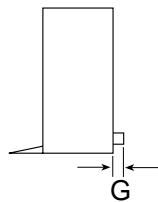
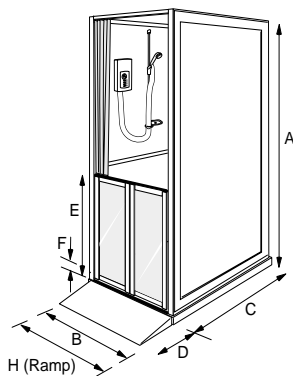
- White Shower Tray
- Enclosure pack
- Door set - half height (not handed) or tri-fold (left or right hand) doors
- Curtain Track and Hooks (to suit door option)
- White Shower Curtain
- Detachable ramp
- Grab rails
- Shower unit options shown on p143-144 (not included in package price)
- Fitting instructions

HOW TO ORDER



	Option 1	Option 2	Option 3
Cubicle description	Half height door	Trifold (Left hand)	Trifold (Right hand)
120 Cubicle with pumped waste	Part no: SHCU120PW Price: £1725	Part no: SHCU120PW Price: £1725	Part no: SHCU120PW Price: £1725
120 Cubicle with gravity waste	Part no: SHCU120G Price: £1470	Part no: SHCU120G Price: £1470	Part no: SHCU120G Price: £1470

Technical information

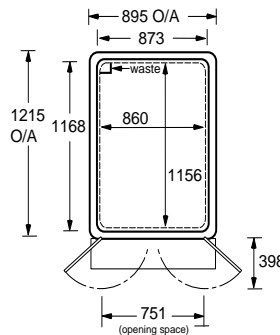


*Add 95mm if side controls fitted.

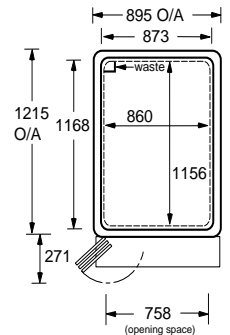
Ramp size:
890mm x 220mm

Ref	Dimensions
A	1900
B	895*
C	1215
D	220
E	810
F	73
G	50
H	890

Model 120 (Standard doors)



Model 120 (Tri-fold doors)



Shower chair compatibility

See page 113 for shower chair compatibility options

Note: Dimensions are for doors fully open.

Internal dimensions: The width is measured from acrylic panel to acrylic panel. The depth is taken from the back acrylic panel to the inner face of the door.

Chiltern Invadex shower cubicles are available with a large range of options and accessories, allowing the cubicle to be configured to suit specific client requirements. A quick order form is available to help select the appropriate options. Please contact Customer Service for details or to arrange a visit by a Technical Sales Representative.

SYMBOLS:

Bulk/oversized item



Made to order (see P200)



Tel: 0800 917 0399

www.chilterninvadex.co.uk

Fax: +44 (0) 1869 365588

sales@chilterninvadex.co.uk