

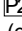
FERNDALE STEP-IN SHOWER (ABOVE FLOOR WASTE)

HOW TO ORDER

1 CHOOSE SHOWER TRAY HAND

2 CHOOSE A COMBINED TRAY/DOOR KIT OPTION (this is a complete kit)

3 ADDITIONAL OPTION

 Shower waste pump kit (choose this option if a pump is required) - see p48-49

Door and enclosure kit contents:




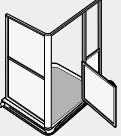

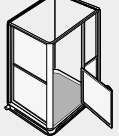

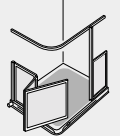
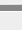
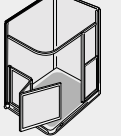
- Half height fixed panel (820mm height)
- Door set (c/w rising butt hinge on Tri-fold door)
- Full height assistance pole
- Curtain Track and Hooks to suit door option
- White Shower Curtain
- Grab Pole to L-shaped Curtain Rail (Grab Pole to Ceiling available as an option - additional £15. Please confirm height requirement)
- Fitting instructions
- See p143 for Shower units (optional extra)

Shower tray contents:




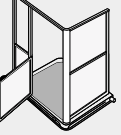

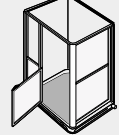
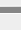
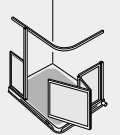

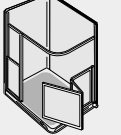
- White shower tray
- Fitting instructions

IMPORTANT NOTE: Trays and door kits on this page are supplied under one code as a complete kit.

LEFT HAND To order tick the relevant circle and fax back.

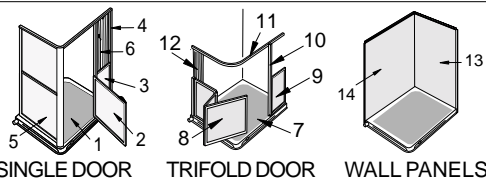
1 SHOWER TRAY SIZE		2 SHOWER TRAY/ SINGLE DOOR & FULL HEIGHT END JAMB	SHOWER TRAY/ SINGLE DOOR & FULL HEIGHT END PANEL & WALL PANELS	SHOWER TRAY/ TRIFOLD DOOR KIT	SHOWER TRAY/ TRIFOLD DOOR KIT & WALL PANELS
LEFT HAND FERNDALE 	Order as a  complete tray & door kit using part no's shown right Waste detail shown on p41	<input type="radio"/> IDFDAFH Price £734  	<input type="radio"/> IDFDAFW Price £1050  	<input type="radio"/> IDFDATL Price £675  	<input type="radio"/> IDFDATLW Price £990  

RIGHT HAND To order tick the relevant circle and fax back.

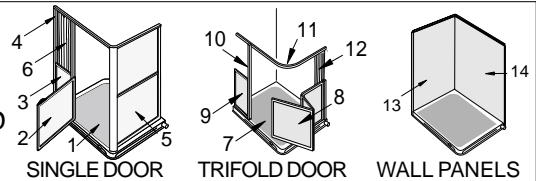
1 SHOWER TRAY SIZE		2 SHOWER TRAY/ SINGLE DOOR & FULL HEIGHT END JAMB	SHOWER TRAY/ SINGLE DOOR & FULL HEIGHT END PANEL & WALL PANELS	SHOWER TRAY/ TRIFOLD DOOR KIT	SHOWER TRAY/ TRIFOLD DOOR KIT & WALL PANELS
RIGHT HAND FERNDALE 	Order as a  complete tray & door kit using part no's shown right. Waste detail shown on p41	<input type="radio"/> IDFDCFH Price £734  	<input type="radio"/> IDFDCFHW Price £1050  	<input type="radio"/> IDFDCTL Price £675  	<input type="radio"/> IDFDCTLW Price £990  

PARTS

FERNDALE (LEFT HAND WASTE)



FERNDALE (RIGHT HAND WASTE)



SINGLE DOOR MODEL

DESCRIPTION	PART NUMBER	PRICE
<input type="radio"/> IDIFD01	1. Tray	£250
<input type="radio"/> IDAFD02W	2. Single door	£390
<input type="radio"/> IDAFJ02W	3. Jamb panel	£49
<input type="radio"/> IDAFP02W	4. Pole set/frame set	£98
<input type="radio"/> IDAFFSP01W	5. End panel	£298
<input type="radio"/> IDGSS01	6. Curtain	£22

SINGLE DOOR MODEL

DESCRIPTION	PART NUMBER	PRICE
<input type="radio"/> IDIFD05	1. Tray	£250
<input type="radio"/> IDAFD01W	2. Single door	£390
<input type="radio"/> IDAFJ01W	3. Jamb panel	£49
<input type="radio"/> IDAFP01W	4. Pole set/Frame set	£98
<input type="radio"/> IDAFFSP01W	5. End panel	£298
<input type="radio"/> IDGSS01	6. Curtain	£22

TRIFOLD DOOR MODEL

<input type="radio"/> IDIFD01	7. Tray	£250
<input type="radio"/> IDATD04W	8. Trifold door	£450
<input type="radio"/> IDAFJ02W	9. Jamb panel	£49
<input type="radio"/> IDAPK02W	10. Pole set	£70
<input type="radio"/> IDGRL3625W	11. Curtain rail	£38
<input type="radio"/> IDGSS01	12. Curtain	£22

TRIFOLD DOOR MODEL

<input type="radio"/> IDIFD05	7. Tray	£250
<input type="radio"/> IDATD03W	8. Trifold door	£450
<input type="radio"/> IDAFJ01W	9. Jamb panel	£49
<input type="radio"/> IDAPK01W	10. Pole set	£70
<input type="radio"/> IDGRL3625W	11. Curtain rail	£38
<input type="radio"/> IDGSS01	12. Curtain	£22

WALL PANELS

<input type="radio"/> IDIFDEP01W	13. End wall panel	£125
<input type="radio"/> IDIFDSP01W	14. Side wall panel	£260

WALL PANELS

<input type="radio"/> IDIFDEP01W	13. End wall panel	£125
<input type="radio"/> IDIFDSP01W	14. Side wall panel	£260

SYMBOLS:

Bulk/oversized item 

Made to order (see P200) 

Tel: 0800 917 0399

www.chilterninvadex.co.uk

Fax: +44 (0) 1869 365588

sales@chilterninvadex.co.uk