

GRAB RAILS



ABS Straight Plastic Grab Rails

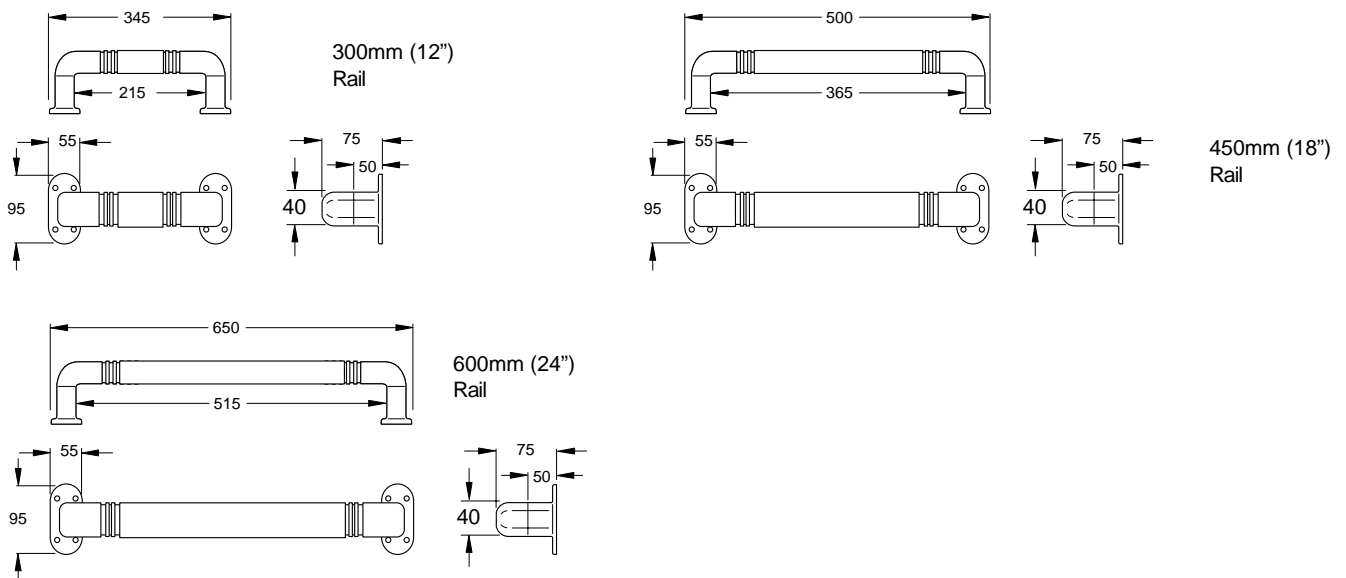
Maximum user weight 115kg (17 stones) (250lb)

- Designed to provide extra leverage and support in the bathroom
- High quality, tough grab rails
- Never cold to touch
- ABS plastic with no earth bonding requirement in bathroom and toilet locations
- Secure, ribbed and textured grip for added safety
- Product weight 0.3kg

code	product	Price
IDESR03W	White Straight Plastic Rail 300mm (12")	£18
IDESR01W	White Straight Plastic Rail 450mm (18")	£19
IDESR02W	White Straight Plastic Rail 600mm (24")	£20

Bold red or blue coloured grab rails particularly suited for people with restricted vision are available to special order. Extended delivery times apply.

Technical information



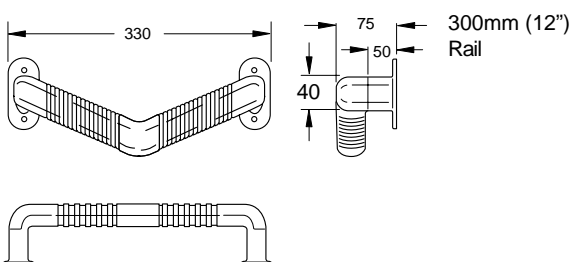
ABS Angled Plastic Grab Rails

Maximum user weight 115kg (17 stones) (250lb)

- Added leverage and support is provided by the angled model
- Angled grab rails are ideal by the toilet
- The unique design enables the forearm to be used to assist in rising and lowering

code	product	Price
IDEAR01W	White Angled Plastic Rail 300mm (12")	£9.25

Technical information



IMPORTANT NOTE:

All the grab rails featured in this catalogue have been designed to be durable and will withstand heavy loading when correctly fixed to a solid wall surface. We therefore recommend that you consult a reputable builder/installer to inspect the mounting surface prior to fixing rails.

SYMBOLS:

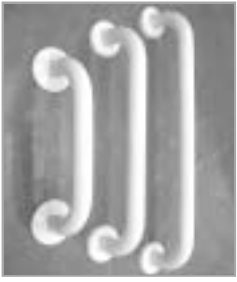
Bulk/oversized item

Made to order (see P200)

Tel: 0800 917 0399
www.chilterninvadex.co.uk

Fax: +44 (0) 1869 365588
sales@chilterninvadex.co.uk

GRAB RAILS



Ribbed Metal Grab Rails

Maximum user weight 158kg (25 stones) (347lb)

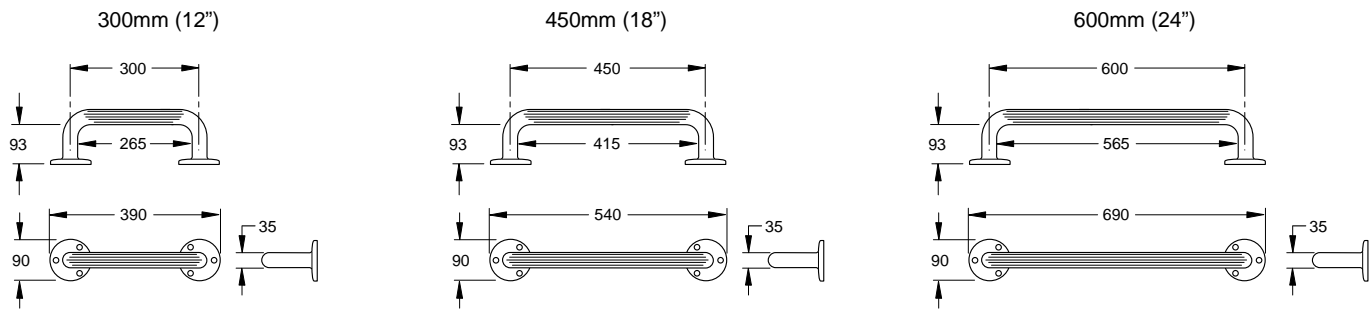
- Designed to provide extra support in the bathroom
- Strong and attractive metal rail
- Ribbed surface for added safety

code	product	Price
IDLGR01	White Grab Rail Ribbed 300mm (12")	£24
IDLGR02	White Grab Rail Ribbed 450mm (18")	£26
IDLGR03	White Grab Rail Ribbed 600mm (24")	£28

IMPORTANT NOTE:

All the grab rails featured in this catalogue have been designed to be durable and will withstand heavy loading when correctly fixed to a solid wall surface. We therefore recommend that you consult a reputable builder/installer to inspect the mounting surface prior to fixing rails.

Technical information



SYMBOLS:

Bulk/oversized item



Made to order (see P200)



Tel: 0800 917 0399

www.chilterninvadex.co.uk

Fax: +44 (0) 1869 365588

sales@chilterninvadex.co.uk