

AUTOMATIC WC SHOWER TOILET (SHOWER CHAIR COMPATIBLE)



Flushing



Washing



Drying

Chair compatible



Compatible with TransAqua shower chairs TA19SP/TA21SP and TA19AP/TA21AP (Clos-o-Mat Palma Vita version - see p187)



Clos-o-Mat Palma Vita

- Provides 'hands free' automatic flushing, warm water washing and warm air drying
- User friendly for people who have restricted use of their hands
- By reducing hand contact it also provides improved hygiene for all users
- WRAS approved product
- Accessories include touch sensitive switch for those unable to use standard elbow pads. Air operated, floor or wall mounted.
- Raising plinth for use with a shower chair (recommended max 50mm) or to ease direct wheelchair transfer. Manufactured in white plastic - heights 25, 50, 75, 100mm
- Robust and secure support arms. Folds out of the way to aid side transfer from a wheelchair
- Extended douche - twin spray (female use only) or single extended douche
- Lateral body supports for extra support and stability

code	product	Price
IDTCS11	Palma Vita WC Single Spray (Including commissioning & delivery) from	£2295

Please note: Palma Vita price includes any Douche arm (standard single spray, extended single spray, or twin spray) delivery and commissioning. UK mainland only.

Palma Vita Accessories

code	product	Price
IDPVTC05	Integrated fold-down support arms - independent arms (Load tested to 25 stones)	£289
IDPVTC10	Lap strap	£45
IDPVTC02	Touch sensitive hand/foot switch	£170
IDPVTHP01	Shaped plinth (25mm)	£66
IDPVTHP02	Shaped plinth (50mm)	£66
IDPVTHP03	Shaped plinth (75mm)	£66
IDPVTHP04	Shaped plinth (100mm)	£66
IDPVTC15	Lateral body supports (clip in to support arms - order support arms with this option)	£150
IDPVTC04	Standard soft seat 'adult'	£90
IDPVTC06	Junior soft seat* (for clients who may slide through a standard seat)	£90
IDPVTC07	Open fronted soft seat*	£90
IDPVTC12	Palma wall infill panel	£99
IDPVTC13	Remote control	£275
IDPVTC14	Back bar (kit)	£90

*Note: only available in blue



Touch sensitive switch



Raising plinth



Support arms



Lateral body supports



Extended douche arm

SYMBOLS:

Bulk/oversized item



Made to order (see P200)



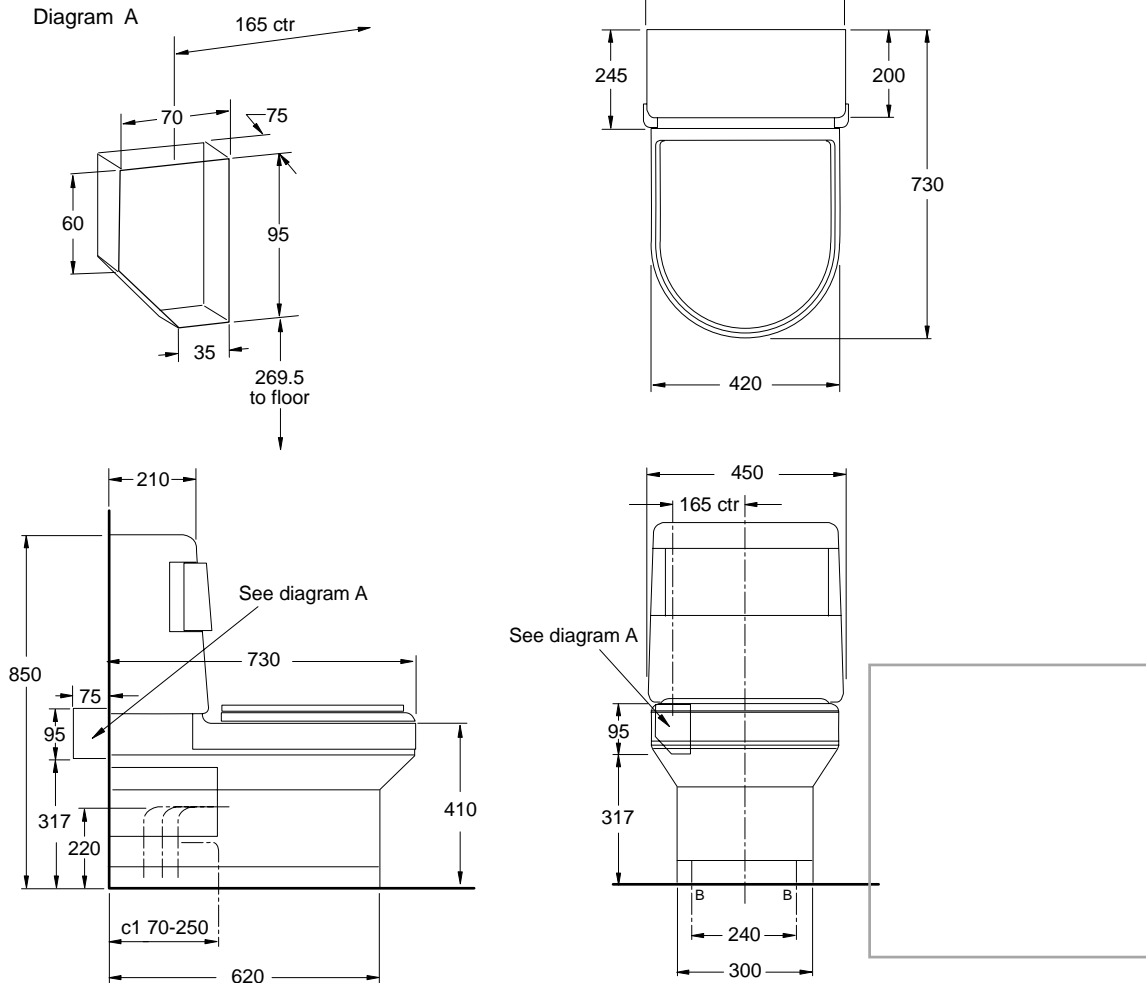
Tel: 0800 917 0399
www.chilterninvadex.co.uk

Fax: +44 (0) 1869 365588
sales@chilterninvadex.co.uk

AUTOMATIC WC SHOWER TOILET

Technical Information

Extended douche option access



Electrical services

- Electrical installation should be in accordance with I.E.E. Regulations (Current Edition).
- 220v/240v single phase AC supply is required, (fuse loading 6 to 8 amp, maximum power 1500 watts). The Clos-o-Mat is supplied with 3 core cable attached. A fused spur is required.
- The spur outlet is normally located adjacent to the unit preferably R.H.S. facing.

Bathroom/Shower Room Installations

- Particular attention should be paid to I.E.E. Regulations when the unit is to be fitted in a bathroom or shower area. We recommend isolation external to the room.
- I.E.E. Regulations require a Residual Current Device to be fitted to the circuit to ensure that disconnection occurs within 0.4 seconds in the event of earth fault.
- The Clos-o-Mat must not be in direct line with the shower spray. Some form of partition between shower and Clos-o-Mat is advisable to prevent any water spraying directly on to the equipment.
- A shower should not be used in conjunction with the Clos-o-Mat. i.e. Under NO circumstances must a user shower whilst seated on Clos-o-Mat.

Water services - No external hot water supply is required.

- Cold water service only; water supply can be from level storage or mains. The Clos-o-Mat is supplied with 15mm copper spigot and isolating valve on cold water supply

Soil Connection

- Outlets are suitable for 'P' trap through the wall (220mm floor to centre) or 'S' trap through the floor (70mm-250mm finished wall to centre). Suitable for left hand and right hand turned trap applications

Overflow

- The Clos-o-Mat has an internal overflow which discharges into the W.C. pan through the flush valve.

Further Notes

- No permanent hand rails or other obstructions should be fitted across the front or top of the unit. The white outer case has to be pulled upwards and forward to remove for service access.
- If extended douche option is specified, space must be made to accommodate douche arm which extends beyond rear of casing.
- Optional infill panel available to avoid need to chase wall. Unit can be fitted away from rear wall if required.

SYMBOLS:

Bulk/oversized item



Made to order (see P200)



Tel: 0800 917 0399

www.chilterninvadex.co.uk

Fax: +44 (0) 1869 365588

sales@chilterninvadex.co.uk