
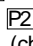


# BERRIEDALE STEP-IN SHOWER (ABOVE FLOOR WASTE)

## HOW TO ORDER

- 1 CHOOSE SHOWER TRAY
- 2 CHOOSE A COMBINED TRAY/DOOR KIT OPTION  (this is a complete kit)
- 3 ADDITIONAL OPTION
  -  Shower waste pump kit (choose this option if a pump is required) - see p48-49

Door and enclosure kit contents:

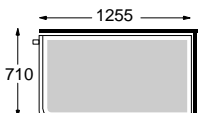


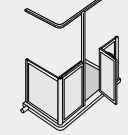
- Half height fixed panel (820mm height)
- Door set
- Full height assistance pole
- Curtain Track and Hooks to suit door option
- White Shower Curtain
- Grab Pole (1950mm) to L-shaped Curtain Rail (Grab Pole to Ceiling available as an option - additional £15). Please confirm height requirement)
- Fitting instructions

Shower tray contents:

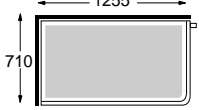
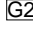

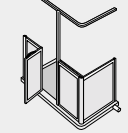
- White shower tray
- Fitting instructions
- See p143 for Shower units (optional extra)

**IMPORTANT NOTE:** Trays and door kits on this page are supplied under one code as a complete kit.

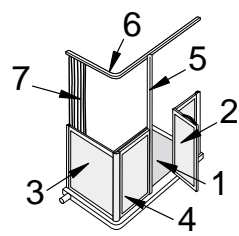
## LEFT HAND To order tick the relevant circle and fax back.

1		2			
SHOWER TRAY SIZE		SHOWER TRAY/ SINGLE DOOR	SHOWER TRAY/ BIFOLD DOOR KIT	SHOWER TRAY/ FULL HEIGHT DOOR	SHOWER TRAY/ IMPRESSIONS DOOR KIT
<b>LEFT HAND BERRIEDALE</b> 	Order as a complete tray & door kit using part no's shown right. Waste detail shown on p41 	<input type="radio"/> NOT AVAILABLE	<input type="radio"/> <b>IDBDLH</b> Price £815  	<input type="radio"/> NOT AVAILABLE	<input type="radio"/> NOT AVAILABLE

## RIGHT HAND To order tick the relevant circle and fax back.

1		2			
SHOWER TRAY SIZE		SHOWER TRAY/ SINGLE DOOR	SHOWER TRAY/ BIFOLD DOOR KIT	SHOWER TRAY/ FULL HEIGHT DOOR	SHOWER TRAY/ IMPRESSIONS DOOR KIT
<b>RIGHT HAND BERRIEDALE</b> 	Order as a complete tray & door kit using part no's shown right. Waste detail shown on p41 	<input type="radio"/> NOT AVAILABLE	<input type="radio"/> <b>IDBDRH</b> Price £815  	<input type="radio"/> NOT AVAILABLE	<input type="radio"/> NOT AVAILABLE

## PARTS

BERRIEDALE (LEFT HAND WASTE)			BERRIEDALE (RIGHT HAND WASTE)		
					
DESCRIPTION	PART NUMBER	PRICE	DESCRIPTION	PART NUMBER	PRICE
<input type="radio"/> IDIBD01	1. Tray	£305.40	<input type="radio"/> IDIBD03	1. Tray	£305.40
<input type="radio"/> IDAED01WN	2. Door	£415	<input type="radio"/> IDAED02WN	2. Door	£415
<input type="radio"/> IDAESP01WN	3. End panel	£165	<input type="radio"/> IDAESP01WN	3. End panel	£165
<input type="radio"/> IDABDJ01W	4. Jamb panel	£110	<input type="radio"/> IDABDJ01W	4. Jamb panel	£110
<input type="radio"/> IDAEP01WN	5. Pole set	£78	<input type="radio"/> IDAEP01WN	5. Pole set	£78
<input type="radio"/> IDGRL4625W	6. Curtain rail	£38	<input type="radio"/> IDGRL4625W	6. Curtain rail	£38
<input type="radio"/> IDGSS22	7. Curtain	£32	<input type="radio"/> IDGSS22	7. Curtain	£32

### SYMBOLS:

Bulk/oversized item 

Made to order (see P200) 

Tel: 0800 917 0399

www.chilterninvadex.co.uk

Fax: +44 (0) 1869 365588

sales@chilterninvadex.co.uk

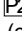
# FERNDALE STEP-IN SHOWER (ABOVE FLOOR WASTE)

## HOW TO ORDER

### 1 CHOOSE SHOWER TRAY HAND

### 2 CHOOSE A COMBINED TRAY/DOOR KIT OPTION (this is a complete kit)

### 3 ADDITIONAL OPTION

 Shower waste pump kit (choose this option if a pump is required) - see p48-49

#### Door and enclosure kit contents:




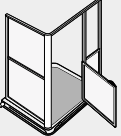

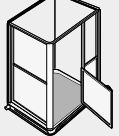

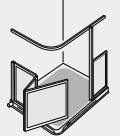
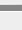
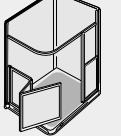
- Half height fixed panel (820mm height)
- Door set (c/w rising butt hinge on Tri-fold door)
- Full height assistance pole
- Curtain Track and Hooks to suit door option
- White Shower Curtain
- Grab Pole to L-shaped Curtain Rail (Grab Pole to Ceiling available as an option - additional £15. Please confirm height requirement)
- Fitting instructions
- See p143 for Shower units (optional extra)

#### Shower tray contents:




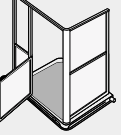

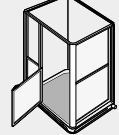
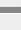
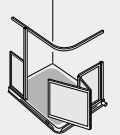

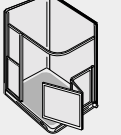
- White shower tray
- Fitting instructions

**IMPORTANT NOTE:** Trays and door kits on this page are supplied under one code as a complete kit.

## LEFT HAND To order tick the relevant circle and fax back.

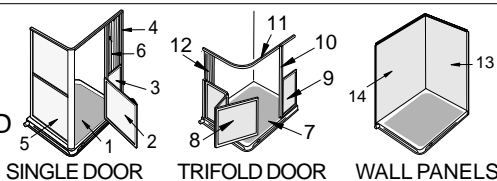
1 SHOWER TRAY SIZE		2 SHOWER TRAY/ SINGLE DOOR & FULL HEIGHT END JAMB	SHOWER TRAY/ SINGLE DOOR & FULL HEIGHT END PANEL & WALL PANELS	SHOWER TRAY/ TRIFOLD DOOR KIT	SHOWER TRAY/ TRIFOLD DOOR KIT & WALL PANELS
<b>LEFT HAND FERNDALE</b> 	Order as a  complete tray & door kit using part no's shown right Waste detail shown on p41	<input type="radio"/> <b>IDFDAFH</b> Price £734  	<input type="radio"/> <b>IDFDAFW</b> Price £1050  	<input type="radio"/> <b>IDFDATL</b> Price £675  	<input type="radio"/> <b>IDFDATLW</b> Price £990  

## RIGHT HAND To order tick the relevant circle and fax back.

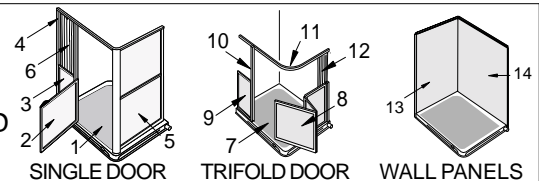
1 SHOWER TRAY SIZE		2 SHOWER TRAY/ SINGLE DOOR & FULL HEIGHT END JAMB	SHOWER TRAY/ SINGLE DOOR & FULL HEIGHT END PANEL & WALL PANELS	SHOWER TRAY/ TRIFOLD DOOR KIT	SHOWER TRAY/ TRIFOLD DOOR KIT & WALL PANELS
<b>RIGHT HAND FERNDALE</b> 	Order as a  complete tray & door kit using part no's shown right. Waste detail shown on p41	<input type="radio"/> <b>IDFDCFH</b> Price £734  	<input type="radio"/> <b>IDFDCFHW</b> Price £1050  	<input type="radio"/> <b>IDFDCTL</b> Price £675  	<input type="radio"/> <b>IDFDCTLW</b> Price £990  

## PARTS

FERNDALE  
(LEFT HAND  
WASTE)



FERNDALE  
(RIGHT HAND  
WASTE)



### SINGLE DOOR MODEL

DESCRIPTION	PART NUMBER	PRICE
<input type="radio"/> <b>IDIFD01</b>	1. Tray	£250
<input type="radio"/> <b>IDAFD02W</b>	2. Single door	£390
<input type="radio"/> <b>IDAFJ02W</b>	3. Jamb panel	£49
<input type="radio"/> <b>IDAFP02W</b>	4. Pole set/frame set	£98
<input type="radio"/> <b>IDAFFSP01W</b>	5. End panel	£298
<input type="radio"/> <b>IDGSS01</b>	6. Curtain	£22

### SINGLE DOOR MODEL

DESCRIPTION	PART NUMBER	PRICE
<input type="radio"/> <b>IDIFD05</b>	1. Tray	£250
<input type="radio"/> <b>IDAFD01W</b>	2. Single door	£390
<input type="radio"/> <b>IDAFJ01W</b>	3. Jamb panel	£49
<input type="radio"/> <b>IDAFP01W</b>	4. Pole set/Frame set	£98
<input type="radio"/> <b>IDAFFSP01W</b>	5. End panel	£298
<input type="radio"/> <b>IDGSS01</b>	6. Curtain	£22

### TRIFOLD DOOR MODEL

<input type="radio"/> <b>IDIFD01</b>	7. Tray	£250
<input type="radio"/> <b>IDATD04W</b>	8. Trifold door	£450
<input type="radio"/> <b>IDAFJ02W</b>	9. Jamb panel	£49
<input type="radio"/> <b>IDAPK02W</b>	10. Pole set	£70
<input type="radio"/> <b>IDGRL3625W</b>	11. Curtain rail	£38
<input type="radio"/> <b>IDGSS01</b>	12. Curtain	£22

### TRIFOLD DOOR MODEL

<input type="radio"/> <b>IDIFD05</b>	7. Tray	£250
<input type="radio"/> <b>IDATD03W</b>	8. Trifold door	£450
<input type="radio"/> <b>IDAFJ01W</b>	9. Jamb panel	£49
<input type="radio"/> <b>IDAPK01W</b>	10. Pole set	£70
<input type="radio"/> <b>IDGRL3625W</b>	11. Curtain rail	£38
<input type="radio"/> <b>IDGSS01</b>	12. Curtain	£22

### WALL PANELS

<input type="radio"/> <b>IDIFDEP01W</b>	13. End wall panel	£125
<input type="radio"/> <b>IDIFDSP01W</b>	14. Side wall panel	£260

### WALL PANELS

<input type="radio"/> <b>IDIFDEP01W</b>	13. End wall panel	£125
<input type="radio"/> <b>IDIFDSP01W</b>	14. Side wall panel	£260

### SYMBOLS:

Bulk/oversized item 

Made to order (see P200) 

Tel: 0800 917 0399

www.chilterninvadex.co.uk


Fax: +44 (0) 1869 365588

sales@chilterninvadex.co.uk

# HENLEYDALE STEP-IN SHOWER (ABOVE FLOOR WASTE)

## HOW TO ORDER

**1 CHOOSE SHOWER TRAY**

**2 CHOOSE TRAY PART NUMBER & ASSOCIATED WASTE** 

**3 ADDITIONAL OPTION**  
**P2** Shower waste pump kit  
 (choose this option if a pump is required) - see p48-49

Enclosure kit contents:

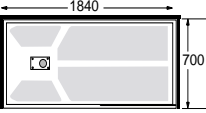














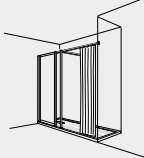
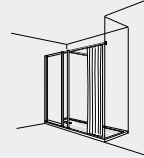
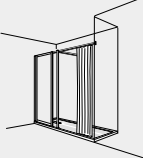
- Full height fixed panel (700/800/900/1000mm)
- Assistance pole (1950mm) to Curtain Rail (floor to Ceiling poles are available as an option - additional £15. Please confirm height requirement)
- Curtain Track and Hooks to suit enclosure option
- White Shower Curtain
- Fitting instructions
- See p143 for Shower units (optional extra)

Shower tray contents:

- White shower tray
- Waste
- Fitting instructions


**IMPORTANT NOTE:** Trays and door kits are coded separately - for example: To order a Henleydale shower tray with 700mm panel in silver with toughened safety glass - Order tray (i.e Part number 01-120121001) **PLUS** door kit (i.e Part number 00-112021401 for 700mm panel in silver with safety glass).


## NON HANDED TRAY To order tick the relevant circle and fax back.

1 SHOWER TRAY SIZE	2 TRAY PART NUMBER	3		
		SILVER WITH SAFETY GLASS	WHITE WITH ACRYLIC	WHITE WITH SAFETY GLASS
<b>NON HANDED TRAY</b> 	<input type="radio"/> <b>01-120121001</b>  Price £400 	<input type="radio"/> <b>00-112021401</b> 700mm panel Price £595 	<input type="radio"/> <b>00-112023301</b> 700mm panel Price £595 	<input type="radio"/> <b>00-112023401</b> 700mm panel Price £595 
		<input type="radio"/> <b>00-112121401</b> 800mm panel Price £595 	<input type="radio"/> <b>00-112123301</b> 800mm panel Price £595 	<input type="radio"/> <b>00-112123401</b> 800mm panel Price £595 
		<input type="radio"/> <b>00-112221401</b> 900mm panel Price £595 	<input type="radio"/> <b>00-112223301</b> 900mm panel Price £595 	<input type="radio"/> <b>00-112223401</b> 900mm panel Price £595 
		<input type="radio"/> <b>00-112321401</b> 1000mm panel Price £595 	<input type="radio"/> <b>00-112323301</b> 1000mm panel Price £595 	<input type="radio"/> <b>00-112323401</b> 1000mm panel Price £595 
				

For spare parts please contact the Technical helpdesk on 01869 365500.

**SYMBOLS:**

Bulk/oversized item 

Made to order (see P200) 

Tel: 0800 917 0399

www.chilterninvadex.co.uk

Fax: +44 (0) 1869 365588

sales@chilterninvadex.co.uk