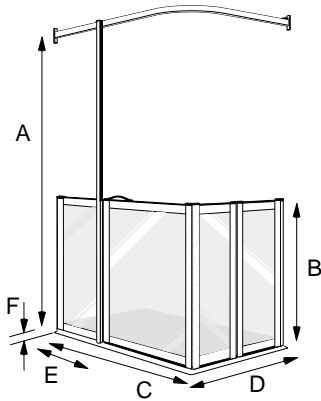


SHOWER TRAY SPECIFICATION GUIDE - LEVEL ACCESS

See pages 74-75 for details of How to order

WESTDALE 655 MODEL



Left hand shower tray Illustrated

SHOWER CHAIR COMPATIBILITY



Self propelled models



Attendant propelled models

| REF | DIMENSIONS | WESTDALE 655 LEFT HAND TRAY | JAMB DETAIL |
|--|------------|------------------------------|-------------|
| A | 1950 | | |
| B | 834 | | |
| C | 1165 | | |
| D | 720 | | |
| E | 400 | | |
| F | 65 | | |
| Thick black line denotes wall position | | | |
| REF | DIMENSIONS | WESTDALE 655 RIGHT HAND TRAY | JAMB DETAIL |
| A | 1950 | | |
| B | 834 | | |
| C | 1165 | | |
| D | 720 | | |
| E | 400 | | |
| F | 65 | | |
| Thick black line denotes wall position | | | |

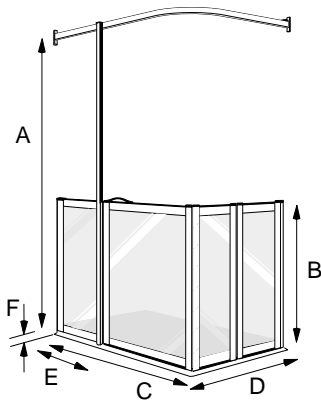
Notes

Door size: 1115mm x 655mm (including jamb)

Internal showering area: L= 1095mm x W=635mm

1. Dimension A is to the top of the assistance pole (from the shower tray). A 2500mm floor to ceiling, or 2500mm floor to curtain rail pole are also available (both can be trimmed)
2. The Westdale 655 is supplied with edging strips for use with a suitable Altro flooring system. Add 30mm to dimensions C&D
3. Dimensions C&D are measured from the face of the tiling lip
4. Rising butt hinge lifts the door 7mm and incorporates a 180 degree hinge to allow full flexibility

WESTDALE 760 MODEL



Left hand shower tray Illustrated

SHOWER CHAIR COMPATIBILITY



Self propelled models



Attendant propelled models

| REF | DIMENSIONS | WESTDALE 760 LEFT HAND TRAY | JAMB DETAIL |
|--|------------|------------------------------|-------------|
| A | 1950 | | |
| B | 834 | | |
| C | 1165 | | |
| D | 825 | | |
| E | 400 | | |
| F | 65 | | |
| Thick black line denotes wall position | | | |
| REF | DIMENSIONS | WESTDALE 760 RIGHT HAND TRAY | JAMB DETAIL |
| A | 1950 | | |
| B | 834 | | |
| C | 1165 | | |
| D | 825 | | |
| E | 400 | | |
| F | 65 | | |
| Thick black line denotes wall position | | | |

Notes

Door size: 1115mm x 760mm (including jamb)

Internal showering area: L= 1095mm x W=740mm

1. Dimension A is to the top of the assistance pole (from the shower tray). A 2500mm floor to ceiling, or 2500mm floor to curtain rail pole are also available (both can be trimmed)
2. The Westdale 760 is supplied with edging strips for use with a suitable Altro flooring system. Add 30mm to dimensions C&D
3. Dimensions C&D are measured from the face of the tiling lip
4. Rising butt hinge lifts the door 7mm and incorporates a 180 degree hinge to allow full flexibility

SYMBOLS:

Bulk/oversized item



Made to order (see P200)



Tel: 0800 917 0399

www.chilterninvadex.co.uk

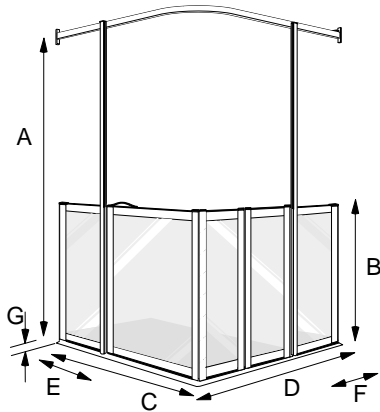
Fax: +44 (0) 1869 365588

sales@chilterninvadex.co.uk

SHOWER TRAY SPECIFICATION GUIDE - LEVEL ACCESS

See pages 76-77 for details of How to order

WESTDALE 850 MODEL



Left hand shower tray Illustrated

| REF | DIMENSIONS | WESTDALE 850 LEFT HAND TRAY | JAMB DETAIL |
|-----|------------|--|-------------|
| A | 1950 | | |
| B | 820 | | |
| C | 1270 | | |
| D | 915 | | |
| E | 499 | | |
| F | 149 | | |
| G | 65 | | |
| | | Thick black line denotes wall position | |

Notes

Door size: 1200mm x 850mm (including jamb)

Internal showering area: L= 1180mm x W=830mm

1. Dimension A is to the top of the assistance pole (from the shower tray). 2500mm floor to ceiling, or 2500mm floor to curtain rail poles (both to special order) are also available (both can be trimmed)
2. The Westdale 850 is supplied with an edging strip. Add 30mm to dimensions C&D
3. Dimensions C&D are measured from the face of the tiling lip

SHOWER CHAIR COMPATIBILITY

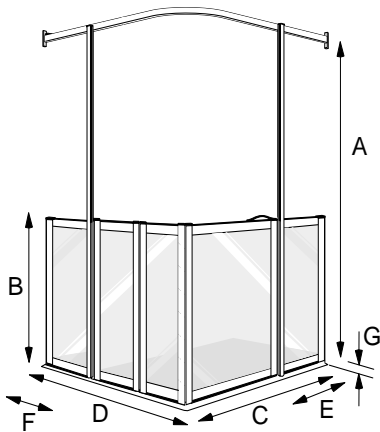


Self propelled models



Attendant propelled models

WESTDALE 850 MODEL



Right hand shower tray Illustrated

| REF | DIMENSIONS | WESTDALE 850 RIGHT HAND TRAY | JAMB DETAIL |
|-----|------------|--|-------------|
| A | 1950 | | |
| B | 820 | | |
| C | 1270 | | |
| D | 915 | | |
| E | 499 | | |
| F | 149 | | |
| G | 65 | | |
| | | Thick black line denotes wall position | |

Notes

Door size: 1200mm x 850mm (including jamb)

Internal showering area: L= 1180mm x W=830mm

1. Dimension A is to the top of the assistance pole (from the shower tray). 2500mm floor to ceiling, or 2500mm floor to curtain rail poles (both to special order) are also available (both can be trimmed)
2. The Westdale 850 is supplied with an edging strip. Add 30mm to dimensions C&D
3. Dimensions C&D are measured from the face of the tiling lip

SHOWER CHAIR COMPATIBILITY



Self propelled models



Attendant propelled models

SYMBOLS:

Bulk/oversized item



Made to order (see P200)



Tel: 0800 917 0399

www.chilterninvadex.co.uk

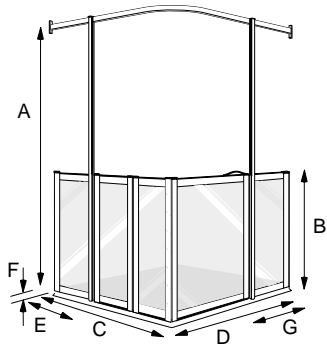
Fax: +44 (0) 1869 365588

sales@chilterninvadex.co.uk

SHOWER TRAY SPECIFICATION GUIDE - LEVEL ACCESS

See page 78 for details of How to order

WESTDALE 1000 MODEL



Tray not handed
Left hand door Illustrated

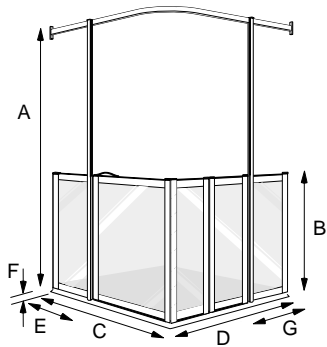
| Ref | Dimensions | WESTDALE 1000 LEFT HAND DOOR | JAMB DETAIL |
|--|------------|------------------------------|-------------|
| A | 1950 | | |
| B | 820 | | |
| C | 1065 | | |
| D | 1065 | | |
| E | 299 | | |
| F | 65 | | |
| G | 299 | | |
| Thick black line denotes wall position | | | |

Notes

Door size: 1000mm x 1000mm (including jamb)

Internal showering area: L=980mm x W=980mm

1. Dimension A is to the top of the assistance pole (from the shower tray). 2500mm floor to ceiling, or 2500mm floor to curtain rail poles (both to special order) are also available (both can be trimmed)
2. The Westdale 1000 is supplied with an edging strip. Add 30mm to dimensions C&D
3. Dimensions C&D are measured from the face of the tiling lip



Tray not handed
Right hand door Illustrated

| Ref | Dimensions | WESTDALE 1000 RIGHT HAND DOOR | JAMB DETAIL |
|--|------------|-------------------------------|-------------|
| A | 1950 | | |
| B | 820 | | |
| C | 1065 | | |
| D | 1065 | | |
| E | 299 | | |
| F | 65 | | |
| G | 299 | | |
| Thick black line denotes wall position | | | |

Notes

Door size: 1000mm x 1000mm (including jamb)

Internal showering area: L=980mm x W=980mm

1. Dimension A is to the top of the assistance pole (from the shower tray). 2500mm floor to ceiling, or 2500mm floor to curtain rail poles (both to special order) are also available (both can be trimmed)
2. The Westdale 1000 is supplied with an edging strip. Add 30mm to dimensions C&D
3. Dimensions C&D are measured from the face of the tiling lip

SHOWER CHAIR COMPATIBILITY



Self propelled models



Attendant propelled models

SYMBOLS:

Bulk/oversized item



Made to order (see P200)



Tel: 0800 917 0399

www.chilterninvadex.co.uk

Fax: +44 (0) 1869 365588

sales@chilterninvadex.co.uk