

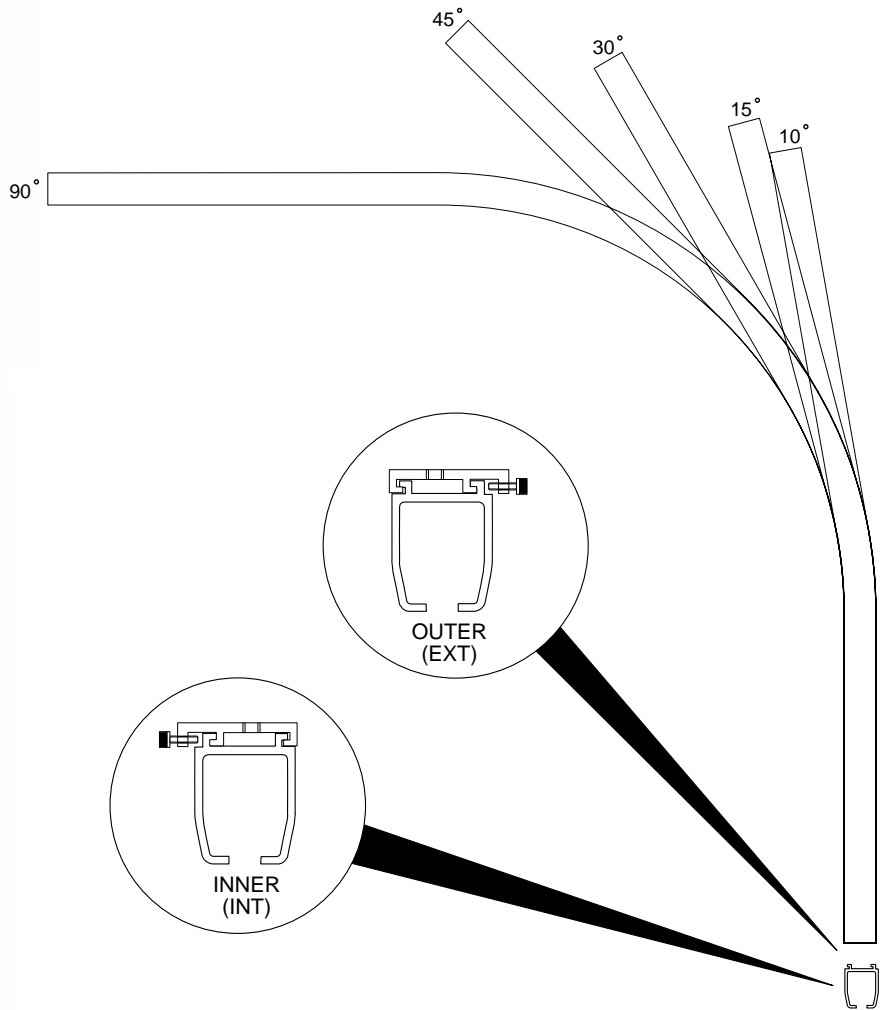
SPECIFY Chiltern Invadex



technical
information

4.7 BEND OPTIONS

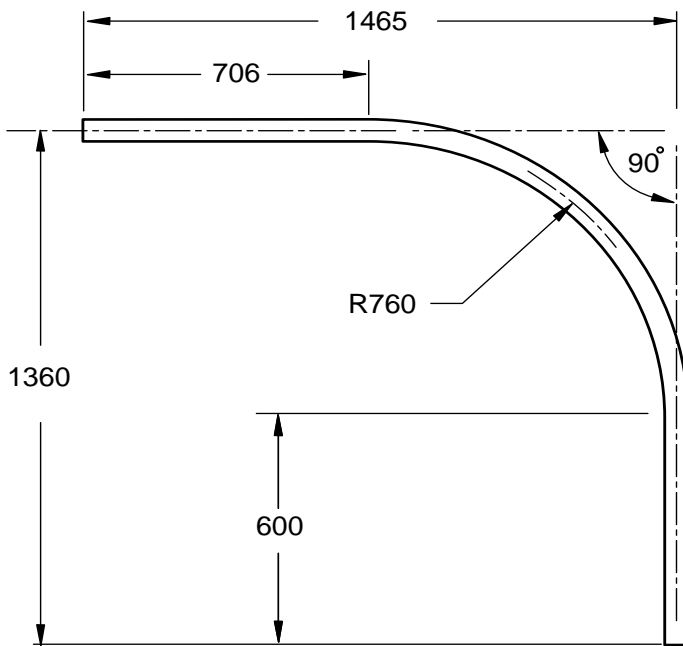
A range of standard bends are available - 90 degree, 45 degree, 30 degree, 15 degree and 10 degree. Track is handed and supplied either with inner or outer profiles. The sections used will depend on the intended track layout.



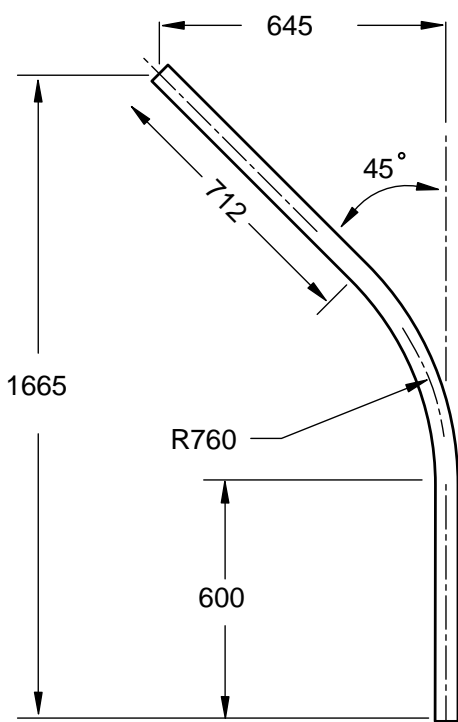
CAD Drawings
of track
available on
request



BEND OPTIONS - 90 DEGREE/45 DEGREE



Curved Track - 90 deg.



Curved Track - 45 deg.

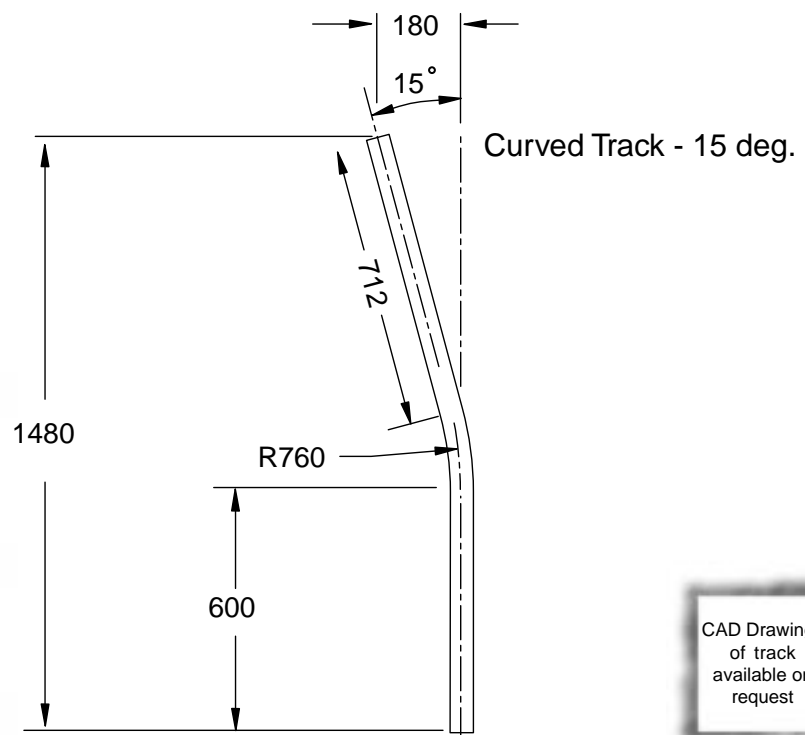
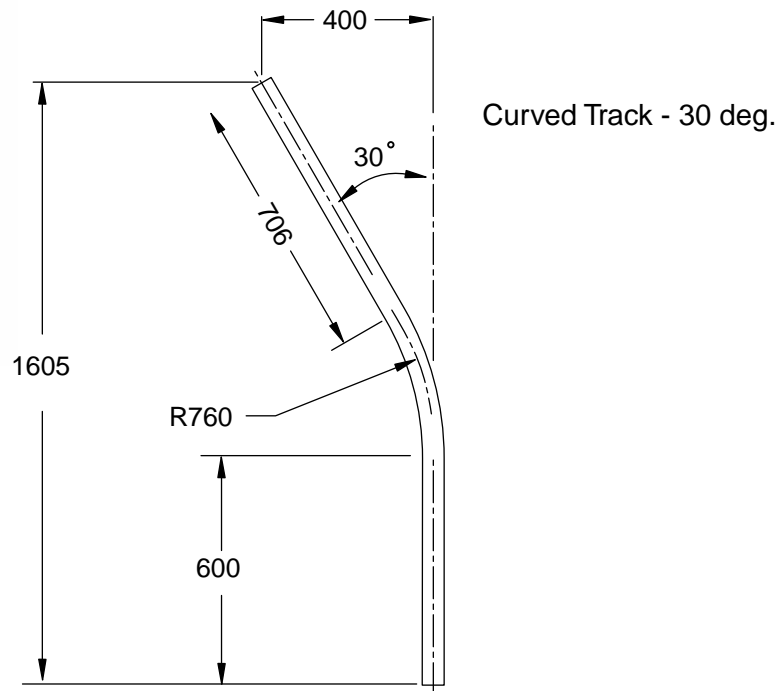
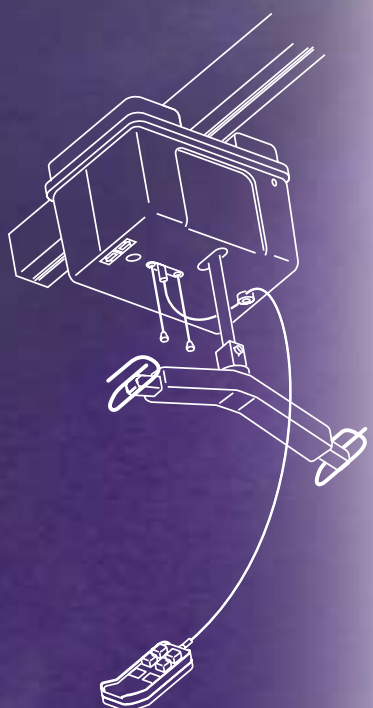
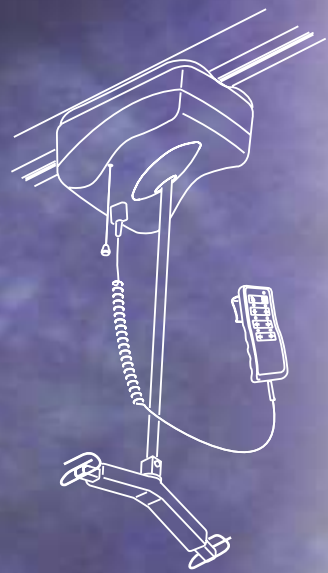
CAD Drawings
of track
available on
request

SPECIFY Chiltern Invadex



technical
information

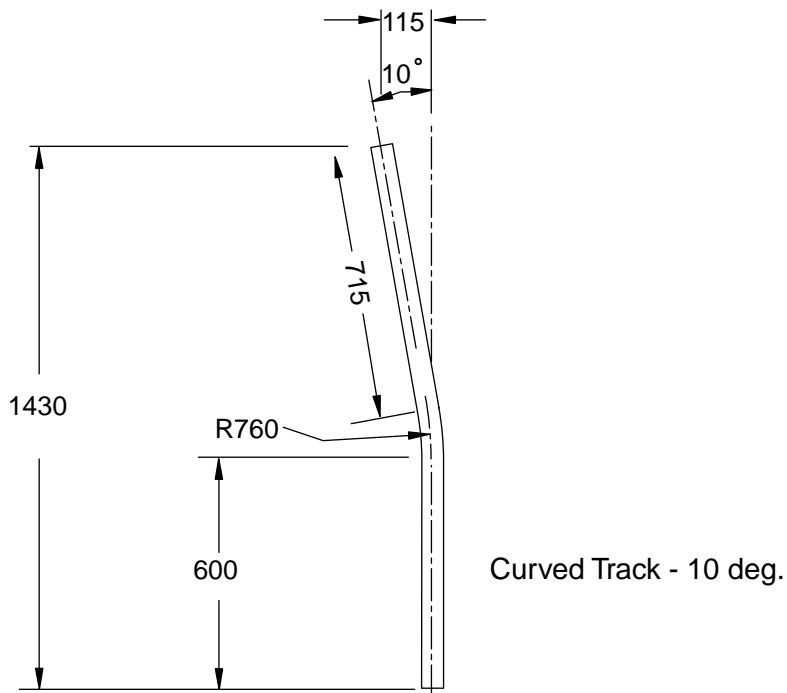
BEND OPTIONS - 30 DEGREE/15 DEGREE BENDS



CAD Drawings
of track
available on
request



BEND OPTIONS - 10 DEGREE BEND



CAD Drawings
of track
available on
request