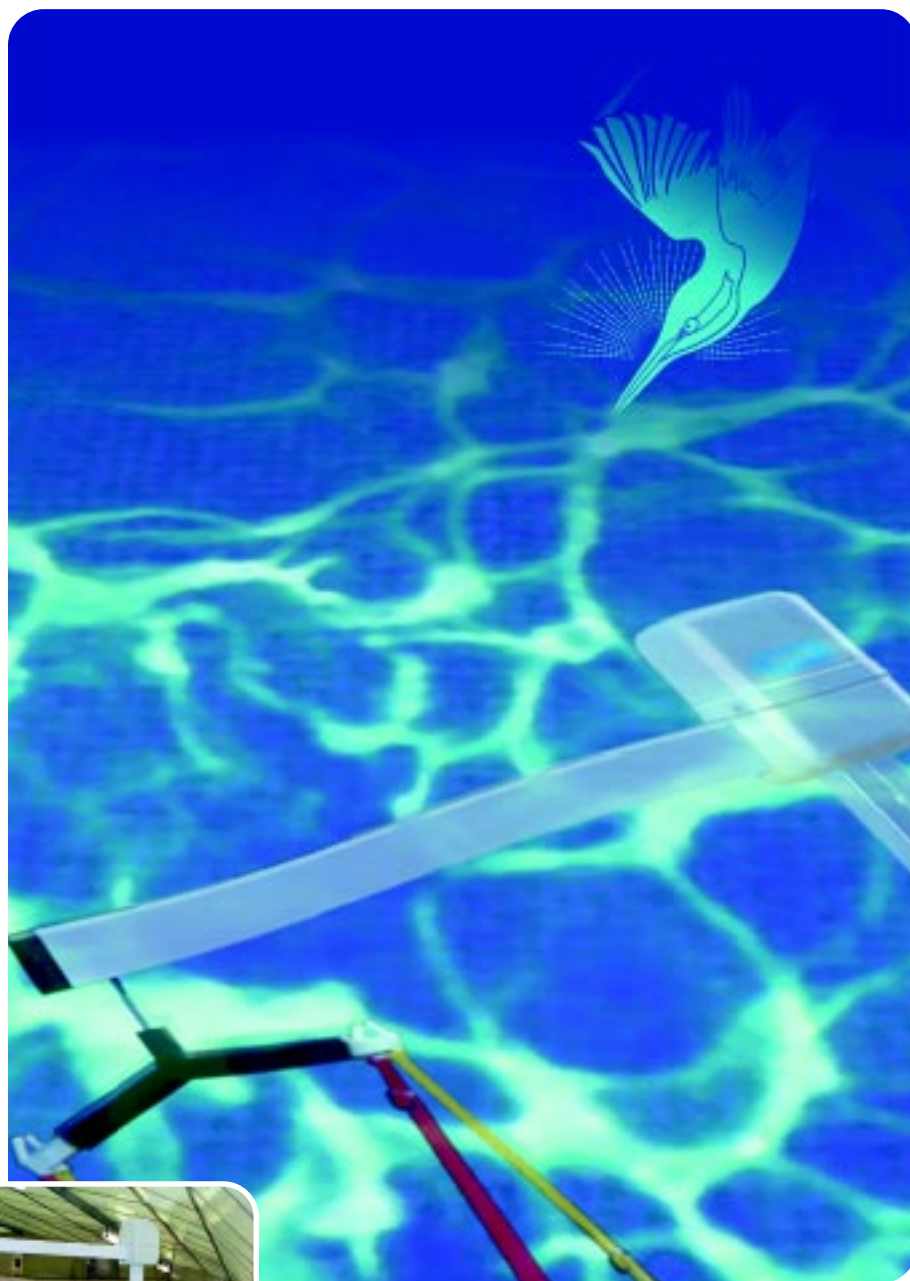


kingfisher poolside hoist

The Chiltern Invadex Kingfisher Poolside Hoist



iChiltern
Invadex

Bringing care to the community

Kingfisher Poolside Hoist

The Kingfisher is versatile, safe and easy to operate and can be used in most indoor or outdoor swimming pool environments. The hand control has clear simple to use push buttons and is air operated for added safety. A compact battery box powers the Kingfisher, which is detachable to prevent unauthorised use and for ease of charging. The hoist can be used with a variety of stainless steel pool chairs, shower chairs, lifting stretchers and with the Wispa range of patient handling slings.

Technical data

Method of installation

Surface mounted socket (inset right) or recessed socket option.

Operating information

Hoist is manually turned by attendant.

Air operated hand control for lifting and lowering only.

Height from floor (When socket is mounted below floor)	2.2 metres
Height from floor (Surface mounted type)	2.5 metres
Length of boom (Back of mast cover to nose of boom)	1.6 metres
Mast size	Rectangular 100mm x 60mm
Maximum load	130 kg
Battery power	24 volt D.C
Battery capacity	2 x 2.3 AH

Meets the essential requirements of the Medical Devices Directive 93/42/EEC.

Take advantage of our free on site surveying service, provided countrywide by a team of trained engineers (UK only).

Quality

Chiltern Invadex is a service oriented company with more than 25 years experience in the caring market.

We design, manufacture, supply, install and service from sites throughout the United Kingdom and Ireland.

Chiltern Invadex products are also available through a network of overseas distributors.



FM 40009
FM 21085

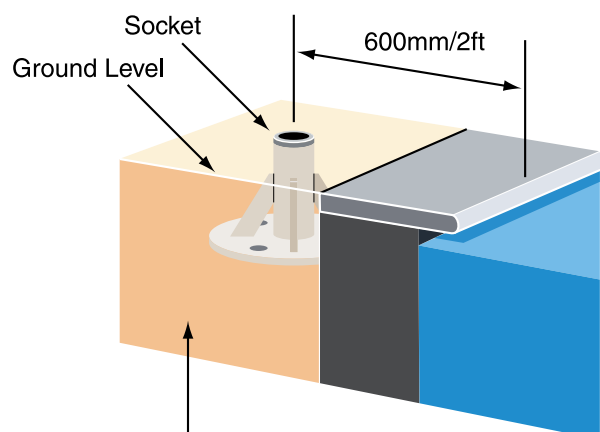
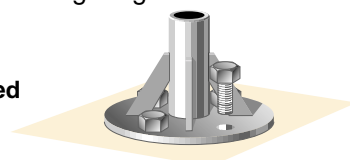
Bicester, Dartford, Chapel-en-le-Frith and Dukinfield are BS EN ISO 9001 approved (FM 40009).

Bangor Northern Ireland is BS EN ISO 9002 approved (FM 21085).

Brochure Hotline

FREEPHONE 0800 917 0399

Surface Mounted Socket Option



Concrete Footing
(1 cubic yard)

Recessed Socket Option

Please Note: The concrete footing should be excavated into the ground.

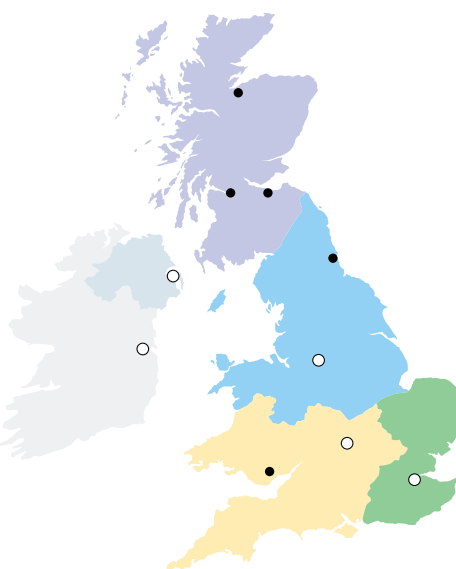
Chiltern Invadex Ltd
Chiltern House
6 Wedgwood Road Bicester
Oxon OX26 4UL
Tel: 01869 246470
Fax: 01869 247214

Overseas enquiries
Tel: +44 (0)1869 365545
Fax: +44 (0)1869 365567

Chiltern Invadex (NI) Ltd
5 Balloo Way
Balloo Industrial Estate Bangor
County Down BT19 7QZ
Tel: 02891 450497
Fax: 02891 270046

Chiltern Invadex Ltd
66-68 Manchester Road
Chapel-en-le-Frith High Peak
SK23 9TP
Tel: 01298 816366
Fax: 01298 816106

Web: www.chilterninvadex.co.uk



Chiltern Invadex Ltd
Units 5&6 Orbital One
Green Street Green Road
Dartford Kent DA1 1QG
Tel: 01322 628100
Fax: 01322 284579

Chiltern Invadex
St. Kierans Enterprise Centre
Furze Road Sandyford Industrial Estate
Foxrock Dublin 18
Tel: 01 286 2726
Mob: 086 829 7541

ABHI
ASSOCIATION OF BRITISH HEALTHCARE
INDICES ASSOCIATION



As part of our commitment to new product development we reserve the right to alter specifications without prior notice.

Published by : Chiltern Invadex Ltd, 6 Wedgwood Road, Bicester, Oxon, OX6 7UL Registered in England No: 1182024 ISSUE 1 02/00

In Northern Ireland : Chiltern Invadex (NI) Ltd, 5 Balloo Way, Balloo Industrial Estate, Bangor, County Down, BT19 7QZ Registered No: NI 19958