

Manual Turntable User Guide

Safety considerations

- Ensure all users read this guide before using the Turntable.
- Read this user guide in conjunction with the Overhead Hoist and Wispa Sling user guides.
- Do not operate the turntable if it is damaged.

Intended use of the product

The Wispa Manual Turntable is designed to allow a Wispa Ceiling Mounted Hoist to be rotated through 90 degrees to transfer from one ceiling track to another.

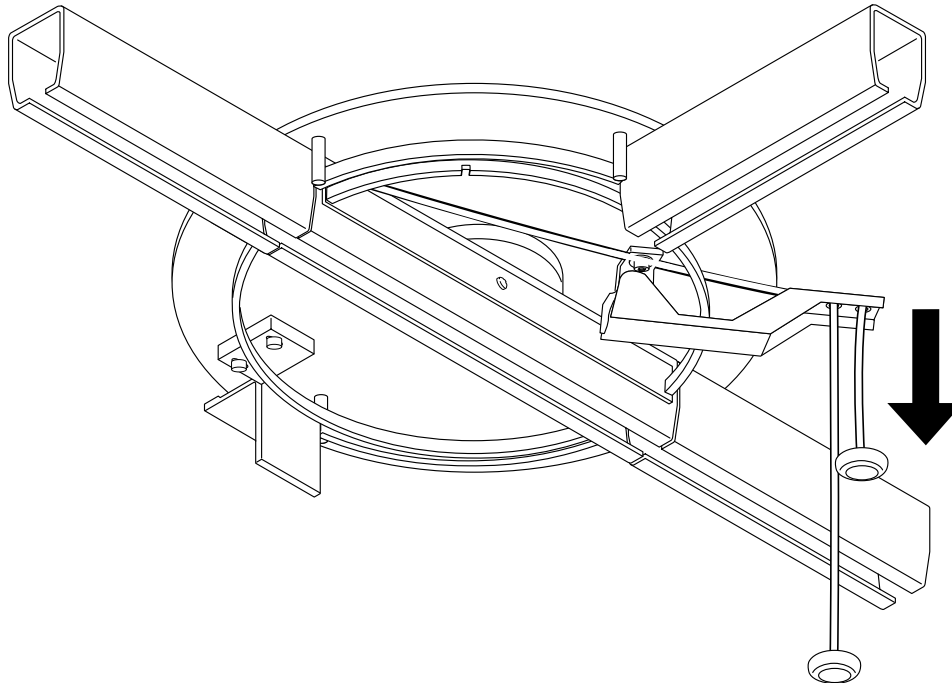


Fig 1

1. Operating the manual turntable

The Manual Turntable is controlled independently of the hoist. It is operated by pulling two cords hanging from the turntable. These cords each have a coloured knob attached, one red and the other black.

2. Rotating the manual Turntable

When the user wishes to drive onto the Turntable and drive off at 90 degrees the following actions must be taken:

- Drive the hoist onto the Turntable so that it comes to rest in the centre of the Turntable.
- Pull the appropriate cord (this will be the shorter of the two at this time) all the way down until it stops, as Fig 1.
- The short length of track with the hoist on will have rotated through 90 degrees and come to a physical stop.
- Release the cord. This will lock the rotating track in this position.
- Drive the hoist off the Turntable in the new direction.

3. Driving through the Turntable

In at least one direction it will be possible to drive straight through the Turntable without stopping.

- When approaching the turntable ensure the central rotating track is aligned with your direction of travel.
- If it is not, simply pull and release the appropriate cord.
- Traverse the hoist straight onto the turntable and off the other side.

4. Safety features

- It is not possible to enter the Turntable unless the central track is aligned with your direction of travel.
- It is not possible to drive off of the Turntable unless it has been rotated fully through 90 degrees.

If you require additional help, information or training please contact:

6 Wedgwood Road, Bicester, Oxon OX26 4UL

Export Division: 6 Wedgwood Road, Bicester, Oxon OX26 4UL

Northern Ireland: 5 Balloo Way, Balloo Industrial Estate, Bangor, Co Down BT19 7QZ

Scottish Office: Unit 16 Evans Business Centre

68-74 Queen Elizabeth Avenue Hillington Industrial Estate Glasgow G52 4NQ

Tel: 01869 246470

Fax: 01869 247214

Tel: +44 (0)1869 365545

Fax: +44 (0)1869 365567

Tel: 028 9145 0497

Fax: 028 9127 0046

Tel: 0141 880 9986

Fax: 0141 880 9990

**Chiltern
Invadex**

Solutions for Living

Copyright © Chiltern Invadex Ltd. The design of the product shown on this sheet is vested in Chiltern Invadex Ltd and should not be copied or reproduced in any way whatsoever without the express permission in writing of Chiltern Invadex Ltd. As part of our commitment to new product development we reserve the right to alter specifications without prior notice. This is an original design of Chiltern Invadex Ltd in which Design Right Subsists.

Published by: Chiltern Invadex Ltd, 6 Wedgwood Road, Bicester, Oxon, OX26 4UL Registered in England No: 1182024

In Northern Ireland: Chiltern Invadex (NI) Ltd, 5 Balloo Way, Balloo Industrial Estate, Bangor, County Down, BT19 7QZ Registered No: NI 19958



CINV394.01 07/05