

SHOWER CHAIRS - AQUAMASTER TILT IN SPACE



AquaMaster Tilt in Space Shower & Toileting Chair



Maximum Load 160kg (25 stones) (350lb)

- Designed and tested in conjunction with Occupational Therapists and healthcare professionals
- Offers a safe, controlled and comfortable showering position for those with severe physical conditions
- Full range of aperture, horseshoe and flat padded seats available
- Option for bespoke seating, including pressure relief foam
- Armrest, backrest and footrest options
- Twin gas rams to ensure to ensure smooth reliable operation
- Single hand control lever for ease of use
- Stainless steel, powder coated construction for strength and durability
- Corrosion resistant stainless steel and nylon bracked castors. Directional locking castor available.
- Commode cradle options for round or oval pan types
- Paediatric model can be made available to special order, please call for details

code	product	description	Price
A14	AquaMaster Tilt in Space 18" frame	Horseshoe, Aperture, Flat Padded Seat 18" (450mm)	from £899
A15	AquaMaster Tilt in Space 21" frame	Horseshoe, Aperture, Flat Padded Seat 21" (520mm)	from £950
A16*	18" frame 90 degree backrest	Horseshoe, Aperture, Flat Padded Seat 18" (450mm)	from £899
A17*	21" frame 90 degree backrest	Horseshoe, Aperture, Flat Padded Seat 21" (520mm)	from £950

*For use over toilet

Tilt in Space Shower chair custom made features

selection	description	Price
Chair width	Available in custom widths (please specify width)	£141
Height	Raise or lower seat height (state height, max + 150mm/6")	£105
Backrest options	Additional recline (state angle of recline max 10 degrees)	£28
	Additional recline (over 10 degrees)	£83
	Height change (state height required)	£39
	Full height backrest material	£22
	Full height backrest fabric (mesh)	£28
	Backrest cushion (state thickness - 25, 50 or 75mm/ 1", 2" or 3")	£72
Seat options	Non standard seat	£270
	Seat skirt (for padded horseshoe and padded aperture seats only)	£35
	Extra padding (state thickness max +25mm/+ 1")	£39
	Reduced or no padding (state thickness)	£22
	Dartex seat covering	£22
	Side access seat extended by 50mm or 75mm	£36
	Change aperture dimension	£39
	Pressure relief foam	£22
Armrest options	Height increased or lowered (state height from top of seat)	£39
	Length change	£39
	Pair special soft pads	£61
	Pair padded armrests (state thickness - 25, 50 or 75mm/ 1", 2" or 3")	£70
	Pair gutter channel armrests	£134
	Front safety bar (includes special armrests)	£38
	Cranked armrests	£26
	Bolted in armrests	£47
Footrest options	Change footrest angle	£24
	Double length footplate (pair)	£69
	Velcro padding (per footrest)	£54
	Raise footrest height	£39
	Stump support (fixed, each)	£150
	Heel straps	£49
	Toe straps	£49
	Heel and toe straps	£76
Specialist	Thoracic supports (Ottohook) pair	£308
	Adjustable, removable headrest (Ottohook)	£220
	Chest and shoulder support harness (Ottohook)	£90

SYMBOLS: Bulk item
Made to order
Anti-microbial coating



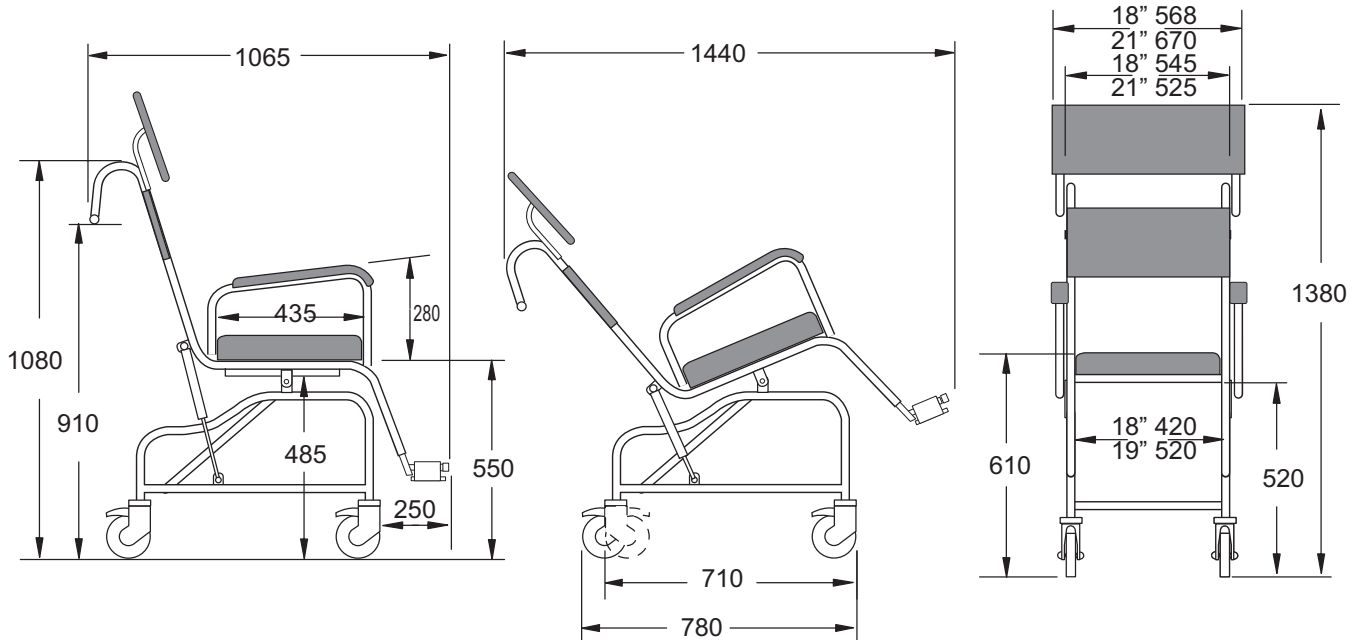
Tel: 01869 365500
www.chilterninvadex.co.uk

Fax: 01869 365588
sales@chilterninvadex.co.uk

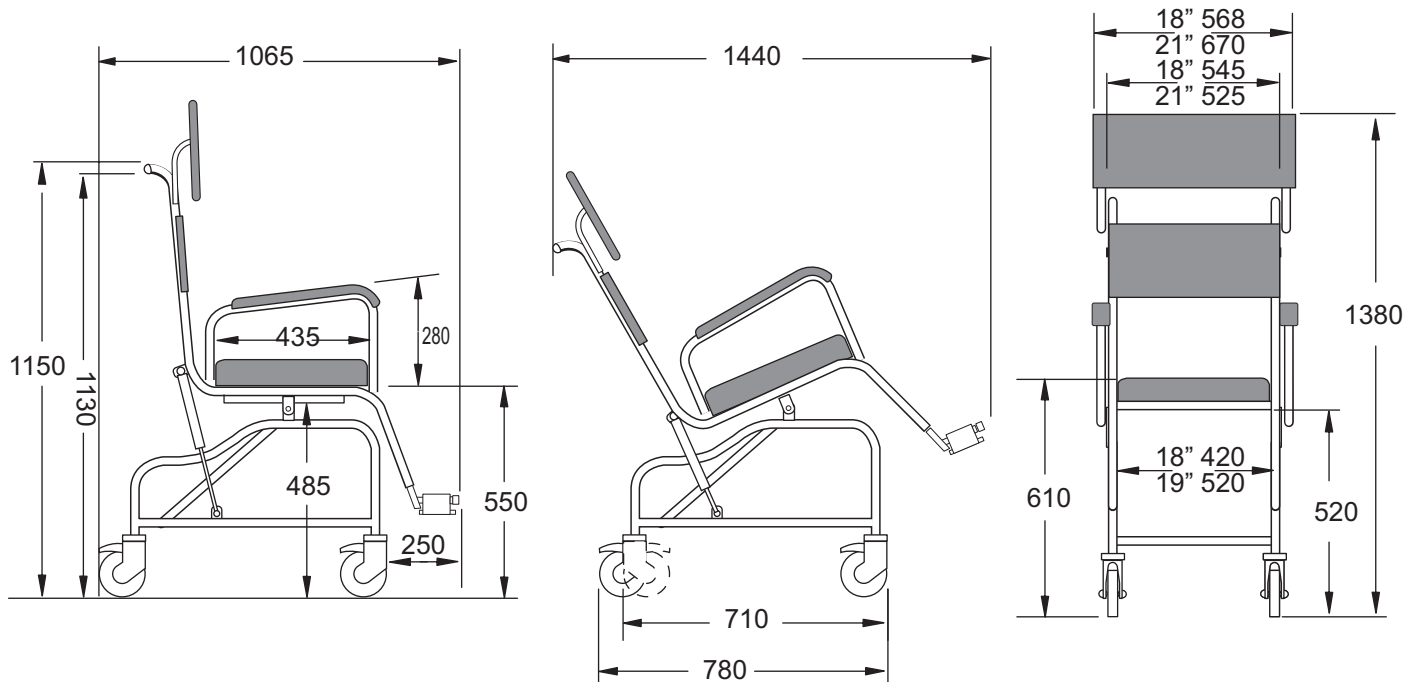
SHOWER CHAIRS - AQUAMASTER TILT IN SPACE

Technical information

A14 & A15



A16 & A17



SYMBOLS: Bulk item
 Made to order
 Anti-microbial coating



Tel: 01869 365500
www.chilterninvadex.co.uk

Fax: 01869 365588
sales@chilterninvadex.co.uk