

# Technical Information

Dimensions												
Attendant propelled & self propelled models (based on 22" wheel)												
Product code and size	A	B	C	D	E	F	G	H	J	K	M	N
TA18AP 18" Frame	970	710	523	865	60	186	312	434	495	462	426	417
TA21AP 21" Frame	970	710	523	865	60	186	312	510	570	537	426	492
TA18SP 18" Frame	970	710	523	985	225	186	312	434	690	462	426	417
TA21SP 21" Frame	970	710	523	985	225	186	312	510	765	537	426	492

**Attendant Propelled - TA18AP/TA21AP**

**Self Propelled - TA18SP/TA21SP**

Note: Dimensions M can decrease by up to 15mm if the maximum load is applied.

A,B,C & M can be increased by 25mm or 50mm by the use of leg extension pins.

Dimension J (overall width) can be reduced by 30mm (on Self Propelling models only) if wheel rims are removed.

Note: There are three different wheel size options (20", 22" and 24") which give different seat heights and clearance dimensions. Please contact Chiltern Invadex for guidance.

- Maximum User Weight**
- Maximum user weight - 200 kgs (30 stones)*
- Total weight of chair**
- 21kgs (Self Propelled) 16kgs (Attendant Propelled)
  - No individual component weighs more than 6.5 kgs

Seat Options (18" Wide Chairs)		Seat Options (21" Wide Chairs)	
<b>Padded horseshoe</b>		<b>Padded horseshoe</b>	
<p><b>medium*</b></p>	<p><b>large*</b></p>	<p><b>*large</b></p>	
<b>Padded aperture</b>		<b>Padded aperture</b>	
<p><b>medium</b></p>	<p><b>large</b></p>	<p><b>large</b></p>	
<b>Padded flat</b>		<b>Padded flat</b>	
<p><b>standard</b></p>		<p><b>standard</b></p>	

\*Extended seat options available (50mm longer seat)

Safety: The TransAqua Self Propelled and Attendant Propelled shower chairs carry the CE mark and meet the essential requirements of the Medical Device Directive (93/42/EEC).

Dimensions shown are in MM for guidance only and are for unladen chairs.

Skirts available on all aperture and horseshoe seats

**Chiltern Invadex Ltd** ●

Chiltern House  
6 Wedgwood Road  
Bicester, Oxfordshire  
OX26 4UL

Tel: 01869 246470  
Fax: 01869 247214  
E-mail: [sales@chilterninvadex.co.uk](mailto:sales@chilterninvadex.co.uk)  
Web: [www.chilterninvadex.co.uk](http://www.chilterninvadex.co.uk)

**Overseas Enquiries**

Tel: +44 (0) 1869 365545  
Fax: +44 (0) 1869 365567  
E-mail: [export@chilterninvadex.co.uk](mailto:export@chilterninvadex.co.uk)

**Chiltern Invadex (NI) Ltd** ●

5 Balloo Way  
Balloo Industrial Estate  
Bangor, County Down  
BT19 7QZ

Tel: 028 9145 0497  
Fax: 028 9127 0046

**From Eire**

Tel: 048 9145 0497  
Fax: 048 9127 0046

**Chiltern Invadex Ltd** ●

Unit 16 Evans Business Centre  
68-74 Queen Elizabeth Avenue  
Hillington Industrial Estate  
Glasgow  
G52 4NQ

Tel: 0141 880 9986  
Fax: 0141 880 9990



**Other products available from  
Chiltern Invadex include:**

**Showering and Bathing**

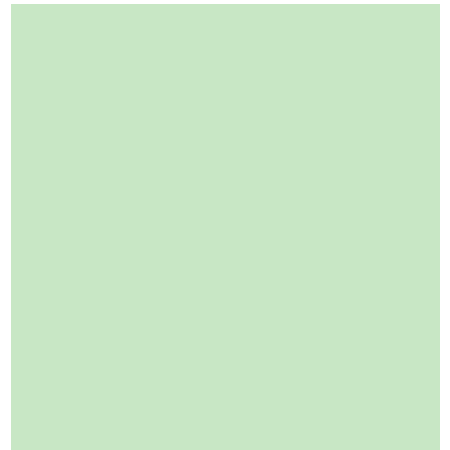
Shower Cubicles  
Shower Accessories  
Shower Seats  
Shower Trolleys and Stretchers  
Walk-in and Easy Transfer Baths  
Level, Easy and Step-in Showers

**Moving and Handling**

Ceiling Mounted Hoists  
Wheelchairs  
Slings  
Poolside Hoists  
Mobile Hoists

**Brochure Hotline: 0800 917 0399**

**Please contact your local distributor**



Bicester is BS EN ISO 9001 approved (FM 40009).

Bangor Northern Ireland is BS EN ISO 9002 approved (FM 21085).

Copyright © Chiltern Invadex Ltd

The design of the product shown on this brochure is vested in Chiltern Invadex Ltd and should not be copied or reproduced in anyway whatsoever without the express permission in writing of Chiltern Invadex Ltd.

As part of our commitment to new product development we reserve the right to alter specifications without prior notice.

This is an original design of Chiltern Invadex Ltd in which Design Right subsists.

Published by: Chiltern Invadex Ltd, 6 Wedgwood Road, Bicester, Oxon, OX26 4UL Registered in England No: 1182024 ISSUE 1 April 2003

In Northern Ireland: Chiltern Invadex (NI) Ltd, 5 Balloo Way, Balloo Industrial Estate, Bangor, County Down, BT19 7QZ Registered No: NI 19958

# Showering and Bathing

## **TransAqua Stainless Steel Shower Chair Range**

Mobile showering solutions for the home,  
nursing home and hospital



# Showering and Bathing

## **TransAqua Stainless Steel Shower Chair Range**

Mobile showering solutions for the home, nursing home and hospital

Combining durable stainless steel with modular construction the TransAqua range of shower chairs offer flexibility for both user and carer. A polished stainless steel frame offers resistance to corrosion and ensures a durable, long lasting finish for extended life.



***Attendant Propelled***

The new HF welded seat construction is soft, comfortable and completely sealed against water ingress. For storage or transportation the TransAqua can be dismantled without the need to use tools.



***Self Propelled***

The TransAqua suits both standard WC's and Clos-o-Mat toilets, reducing storage requirements, as one frame suits all applications.

Available in 18" and 21" model options the TransAqua is designed to suit both user requirements and site conditions. A variety of internal widths can be achieved without the need to select a custom chair.



***HF welded seat***

# TransAqua Stainless Steel Shower Chair Range

TA18SP - Self Propelled 450mm (18" wide)

TA21SP - Self Propelled 525mm (21" wide)



## Features - All TransAqua models

- Corrosion resistant stainless steel frame
- HF welded seat
- Swing away and removable locking armrests
- Swing away and removable height adjustable footplates
- Choice of seat styles and sizes
- Removable seat
- Choice of standard accessories to suit user and carer requirements
- Maximum user weight 200kgs (30 stones).

## Self Propelled models

- Anti-tip bars
- Easy to apply brakes
- Choice of 20" (510mm), 22" (560mm) and 24" (610mm) wheels
- Rear wheels can be set back for added stability.

## Attendant Propelled models

- In-line steering option
- Braked Castor (for added safety when transferring).

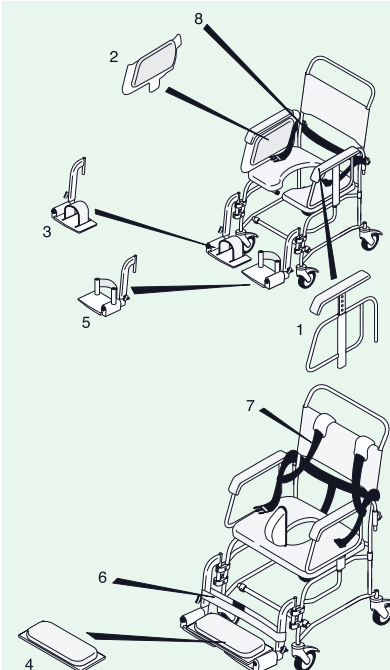
TA18AP - Attendant Propelled 450mm (18" wide)

TA21AP - Attendant Propelled 525mm (21" wide)



## Standard Accessories

1. Height adjustable armrests - from 160mm - 275mm height (from the seat)
2. Side pads (1", 2", 3" options to alter internal seating area of chair)
3. Foot straps
4. Foot pad (clip on)
5. Heel strap
6. Calf strap
7. Full support harness
8. Waist strap
9. Commode Pan (not shown).



# TransAqua Stainless Steel Shower Chair Range Features

## New hygienic seat construction

New HF welded seat is completely sealed against water. Seat fabric contains Biocene, an anti-fungal agent that offers increased levels of hygiene with a reduced risk of cross-infection.

## Snap on, snap off seat design

Easily removable for cleaning and to help maintain hygiene standards.

## Soft padded seat

Moulds to body shape for increased user comfort.



**Swing away footrests**

## Height adjustment

Using leg extension pins the height of the chair can be increased by 25mm (1") - 50mm (2") .

For greater flexibility, chairs can be built quickly to suit user requirements/ changes in the users condition.



**Anti-tip bars**

## Width adjustable

Spare components can be stocked rather than completed chairs, offering greater flexibility to suit user requirements and changes in the users condition.

## Choice of seat styles

*Aperture* - For toileting

*Horseshoe* - For washing/toileting

*Flat padded* - For shower use only

## Swing away, removable height adjustable footplates

Adjustable to suit user requirements and swing clear for easy carer access/hoisting.

## Swing away and removable locking armrests

Easy side transfer allowing the user to move onto the shower chair without the need for manual handling.



**Swing away armrests**

## Improved castor attachment design

Large castors are easy to tighten/remove and to maintain and service.

