

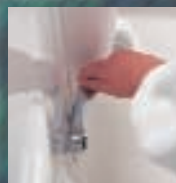
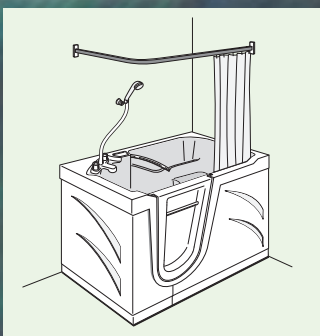
Walk-in Bath

Independent, easy bathing for the home

High quality design combined with attractive styling help to make bathing easy and enjoyable.

Additional benefits

- Inward opening door with watertight seal
- Low access into the bath - 230mm (9")
- Twin waste outlets for quick drainage, with levers for ease of operation
- Simple installation on wooden or concrete floors
- Fits into a 1500mm (5') or 1700mm (5'6") bath space.
- Five standard colours - other colours to order
- Low level textured floor surface for added safety
- Convenient seat height



Easy to use door lock



Handy assistance rail



Bath shower mixer

Walk-in Bath

Independent, easy bathing for the home

Additional Benefits

- Ergonomic & stylish integral grab rail
- Anti-scalding thermostatic blending valve (meets TMV3 regulation)

Enhanced Bathing Options

- Mixer tap or shower/mixer
- Curtain rail and shower curtain
- Hydrotherapy Spa Option
- Extended Warranty

All of the above as extra cost options



Low and easy access



Inward opening watertight door

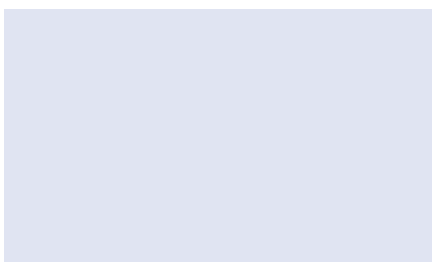


Built-in towel rail

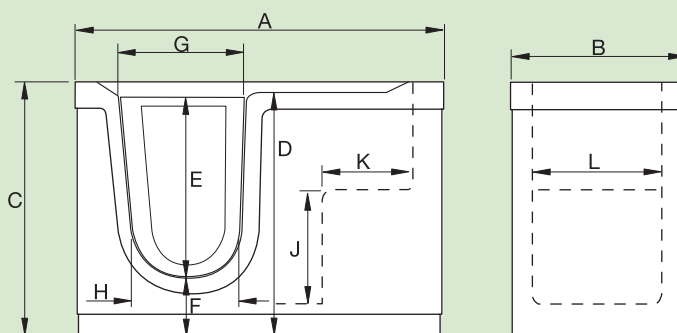


Convenient seat height

Please contact your local distributor



Walk-in Bath



A	B	C	D	E	F	G	H	J	K	L
1335	660	965	925	695	230	455	425	390	380	480

Dimensions shown are in mm and for guidance only

Copyright © Chiltern Invadex Ltd

The design of the product shown on this brochure is vested in Chiltern Invadex Ltd and should not be copied or reproduced in anyway whatsoever without the express permission in writing of Chiltern Invadex Ltd.

As part of our commitment to new product development we reserve the right to alter specifications without prior notice.

This is an original design of Chiltern Invadex Ltd in which Design Right subsists.

Published by: Chiltern Invadex Ltd, 6 Wedgwood Road, Bicester, Oxon, OX26 4UL Registered in England No: 1182024 ISSUE 3 April 2001

In Northern Ireland: Chiltern Invadex (NI) Ltd, 5 Balloo Way, Balloo Industrial Estate, Bangor, County Down, BT19 7QZ Registered No: NI 19958