

Wispa Powered Turntable User Guide

Intended use of the product

The Wispa Powered Turntable is designed to allow a Wispa Ceiling Mounted Hoist to be rotated, enabling the Wispa hoist to transfer from one track to another.

Safety considerations

- Ensure all users read this guide before using the Powered Turntable.
- Read this user guide in conjunction with the Overhead Hoist and Wispa Sling user guides
- Do not operate the turntable if it is damaged.

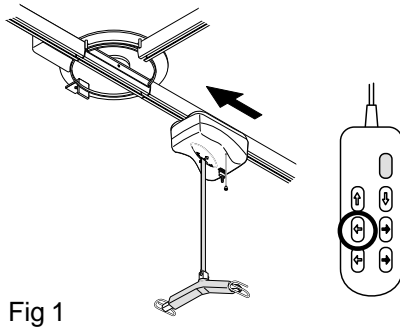


Fig 1

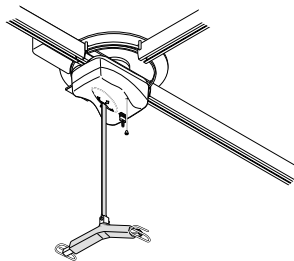


Fig 2

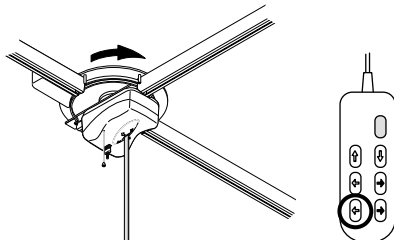


Fig 3

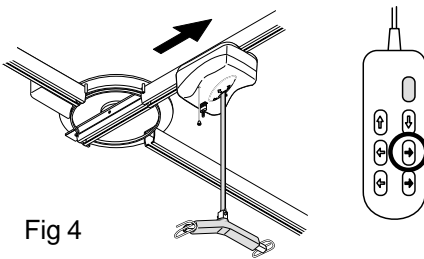
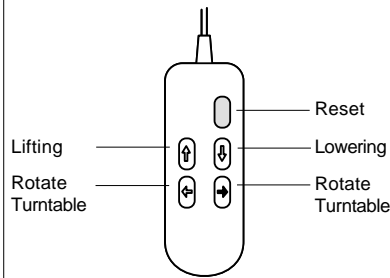


Fig 4

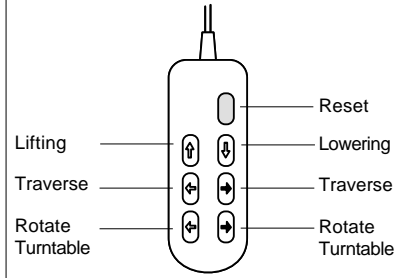
Handset

The hoist and Turntable are controlled by operating the appropriate button on the handset.

5 button handset



7 button handset



1. Rotating the Powered Turntable

To operate the Powered Turntable traverse the hoist as Fig 1 and stop it on the centre of the Turntable as Fig 2.

NOTE: The Turntable will only rotate when the hoist is in the correct position (centralised on the turntable).

Press the rotation button on the handset as Fig 3 to rotate the Turntable in the required direction:

Keep the button pressed until the hoist has rotated through 90 degrees. The Turntable stops automatically when rotation is complete.

2. Traversing the hoist

Press the traverse button on the handset to move the Ceiling Mounted Hoist in the required direction, as Fig 4.

If you require additional help, information or training please contact:

6 Wedgwood Road, Bicester, Oxon OX26 4UL

Export Division: 6 Wedgwood Road, Bicester, Oxon OX26 4UL

Northern Ireland: 5 Balloo Way, Balloo Industrial Estate, Bangor, County Down BT19 7QZ

Scottish Office: Unit 16 Evans Business Centre

68-74 Queen Elizabeth Avenue Hillington Industrial Estate Glasgow G52 4NQ

Tel: 01869 246470

Tel: +44 (0)1869 365545

Tel: 028 9145 0497

Tel: 0141 880 9986

Fax: 01869 247214

Fax: +44 (0)1869 365567

Fax: 028 9127 0046

Fax: 0141 880 9990

Copyright © Chiltern Invadex Ltd. The design of the product shown on this sheet is vested in Chiltern Invadex Ltd and should not be copied or reproduced in any way whatsoever without the express permission in writing of Chiltern Invadex Ltd. As part of our commitment to new product development we reserve the right to alter specifications without prior notice. This is an original design of Chiltern Invadex Ltd in which Design Right Subsists.

Published by: Chiltern Invadex Ltd, 6 Wedgwood Road, Bicester, Oxon, OX26 4UL Registered in England No: 1182024

In Northern Ireland: Chiltern Invadex (NI) Ltd, 5 Balloo Way, Balloo Industrial Estate, Bangor, County Down, BT19 7QZ Registered No: NI 19958

Chiltern
Invadex
Solutions for Living



CINV 354.02 01/04