

10

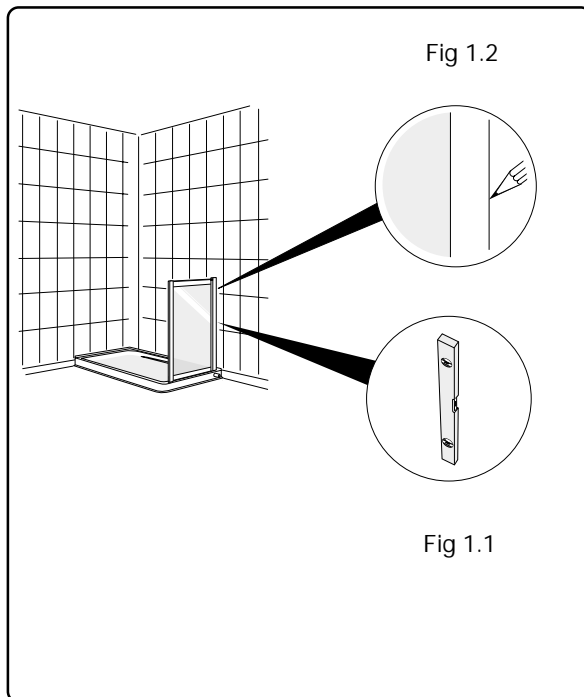
easy steps to fit a ... Berriedale Shower Enclosure

1. Marking wall

Place large end panel in position. Make sure it is vertical as Fig 1.1 and mark the wall alongside the wall channel as Fig 1.2. Remove end panel and take off wall channel.

2. Drilling the wall

Place wall channel against marks made, ensuring slots on the wall channel are facing into the shower area, as shown in Fig 2.1. Using a pencil mark through the slots as Fig 2.2 and drill the wall 50mm deep (2") using a 5.5mm drill, as Fig 2.3. Secure to wall with wall plugs and 1½ x No 8 screws.

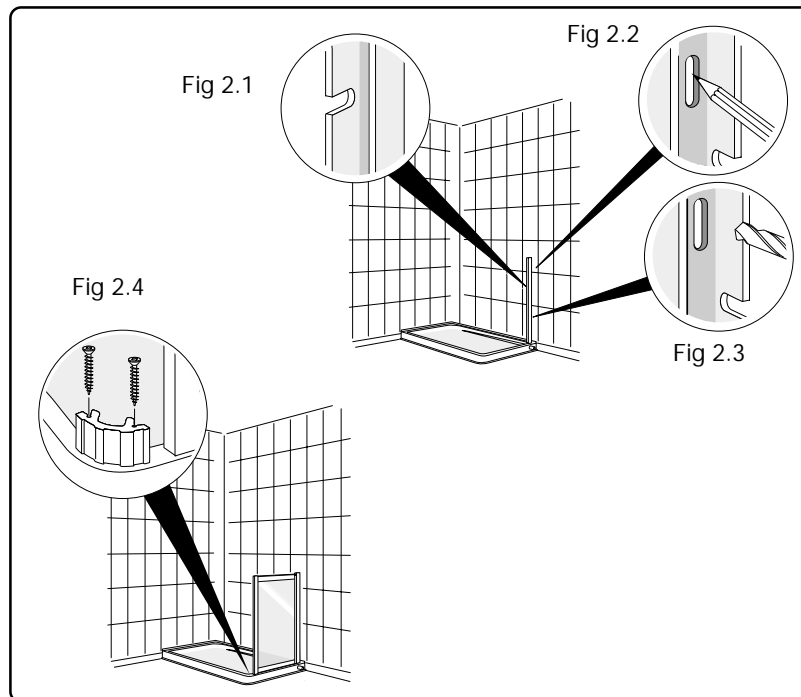


3. Fixing end panels/corner post

Push panel into wall channel. Fasten loosely with self tapping screws, slot covers and shakeproof washers provided, as Fig 3.1.

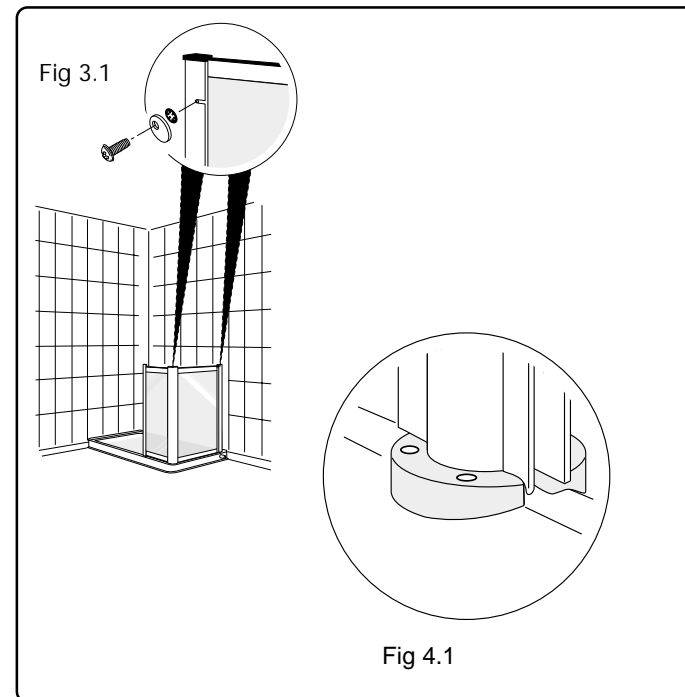
4. Fixing the curved corner block

(Applicable only if doors are supplied with tray. See separate instructions if not). There are two preformed marks on the tray to indicate drilling points for the corner block. Drill using a 3mm drill to a depth of 25mm. Fix corner block using two screws provided, as Fig 2.4. Slide curved corner section onto panel and over corner block, ensuring fixing block with grub screw is at bottom of corner section. Fasten securely to block with allen key provided. Push small side panel into corner post and secure with screws, slot covers and shakeproof washers. Do not fully tighten screws.



5. Pole fixing

Slide vertical grab pole over end of small side panel. Check that pole fixing plate is correctly positioned with holes facing outwards, as Fig 4.1 and end and side panels are level - both horizontally and vertically. Mark the tray base around the vertical pole and remove. Drill and screw in position, as Fig 4.1. Replace pole.



6. Fasten pole to panel

Ensure that vertical pole is level with a spirit level as Fig 5.1. and self tapping screws, as Fig 5.2.

7. Marking the wall

Place the bi-fold door onto the tray in fully open position ensuring the seal is in contact with the tray.

Ensure the wall channel is fixed to the wall. Check the wall channel is level as Fig 6.2, and mark the wall alongside the wall channel as Fig 6.3.

nclosure

anel

upright using
d fully tighten
5.2.

the tray in its
y the bottom
ray, as Fig 6.1.

lat against the
el is vertical, as
alongside

8. Drilling the wall

Remove the bi-fold doors from the tray and slide off the wall channel. Using a pencil mark through the slots and drill the wall 50mm deep (2") using a 5.5mm drill, as Figs 7.1 - 7.3. Secure to wall as with other wall channel.

Replace bi-fold doors, as Fig 6.1. Check that the magnetic strip in the door receiver makes contact. Magnets hold the door closed, adjust receiver if necessary. Ensure the seals are in contact with the tray. Align the jamb correctly.

When satisfied fully tighten all screws, slot covers and shakeproof washers.

9. Fit end caps and brackets

Fit 3 end caps as shown in Fig 8.1. Please note on final fixing end caps need to be secured in position using silicone sealant. Apply a film of silicone sealant to the inside edges of the two wall channels.

Fit pole cover strips as Fig 8.2. Position curtain rail at height to connect to bracket at top of grab pole. Mark walls for fixing wall brackets, as Fig 9.1. Drill wall with 5.5mm drill to a depth of 2" (50mm).

Fix curtain rail brackets to wall with plugs and 1½ x 8 screws, as Fig 9.2.

10. Secure pole

Load hooks and glides into bottom channel of curtain rail. Place 1 M5 nut in top channel of curtain rail.

Attach to brackets and tighten with the allen key as Fig 9.3.

Check pole is vertical. Using M5 x 10mm stainless steel screw attach to curtain rail with nut already in place, as Fig 10.1. Using M5 x 10mm stainless steel screws secure pole bracket to top of pole rail as Fig 10.2. Fix shower curtain, as Fig 10.3.

Fig 5.1

Fig 5.2

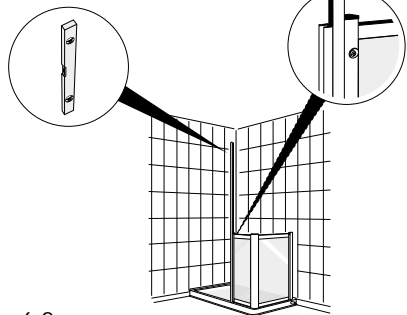
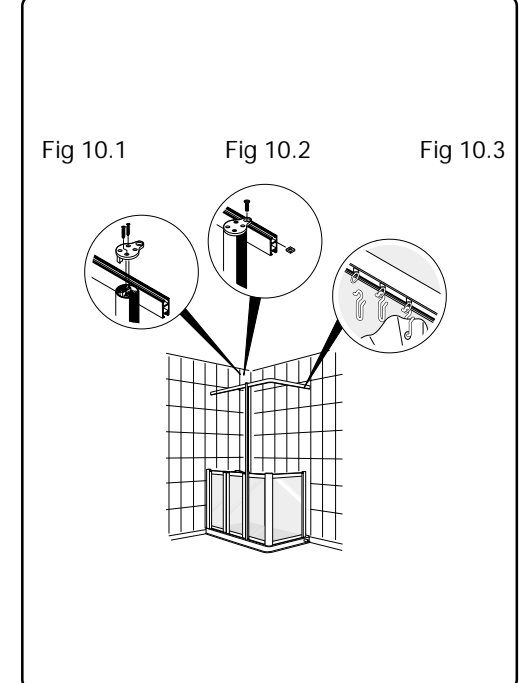
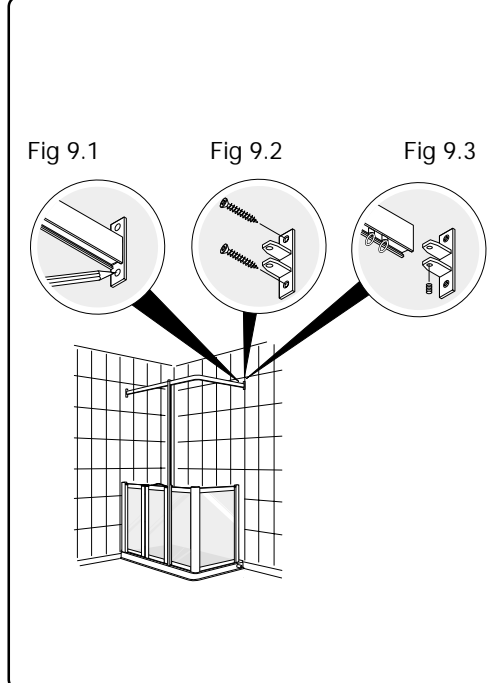
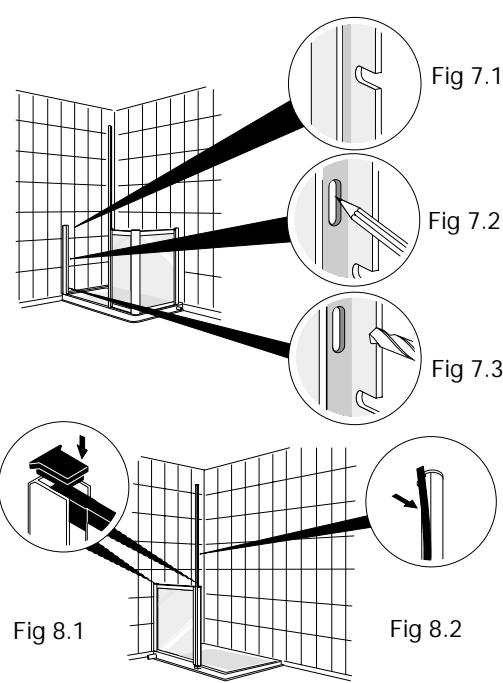
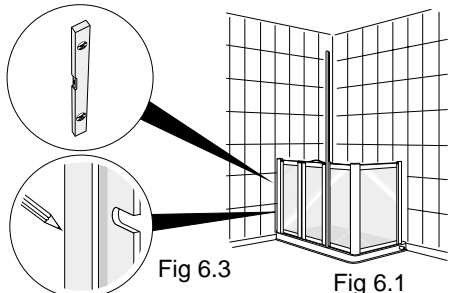


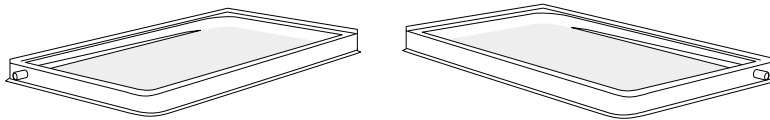
Fig 6.2



Berriedale Tray & Enclosure Installation Guide

Installation Notes:

The Berriedale shower base is designed to be installed in corner areas with minimum disturbance to the underlying floor area. It has a left hand or right hand outlet to provide easy access to existing drains. The waste pipe is connected through a 3" running trap. It is essential to ensure adequate fall of the waste pipe.



Left hand outlet Berriedale Mk2

Right hand outlet Berriedale Mk2

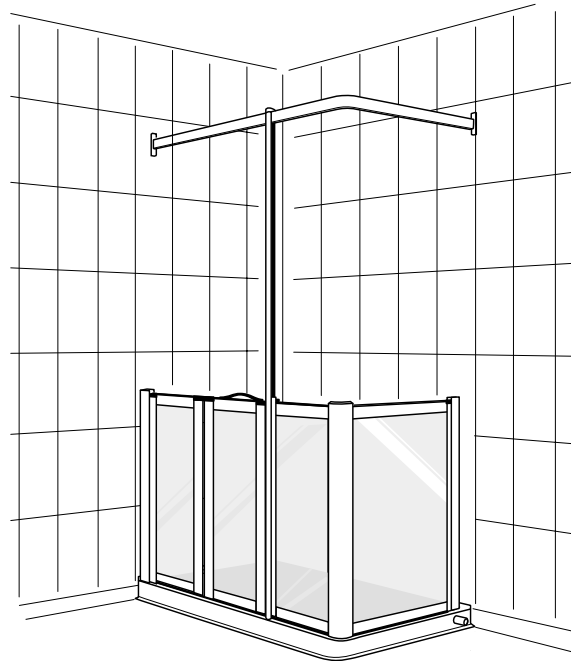


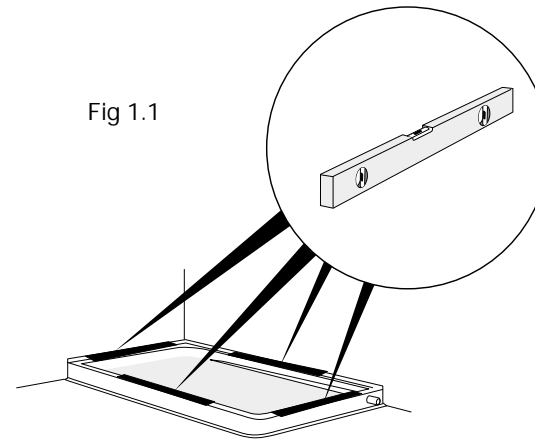
Image shows Berriedale with enclosure option in place

5 easy steps to fit a ..Ber

1. Checking Level

Place the shower tray into the corner and ensure the shower base is level along its width and length, as Fig 1.1.

Fig 1.1



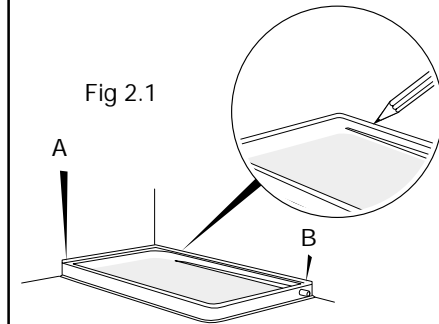
2. Marking Plaster

Mark the plaster above both tiling lips, as Fig 2.1. Take the shower tray away.

Important:

Tiles at A and B must be level and vertical to the surface of the tray to take the aluminium wall channels when using the option of door enclosure.

Fig 2.1



riedale Step-in Shower Tray

3. Removing the plaster

Remove the plaster below the mark you just made to a depth suitable to take the tiling lips, see Fig 3.1.

This will vary according to the thickness of the tile to be used, see Fig 3.2.

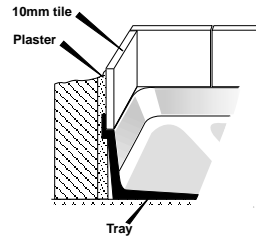
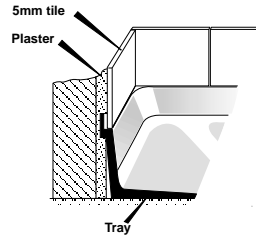
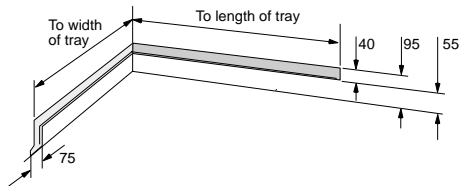


Fig 3.1

Fig 3.2



4. Drilling lip

Drill the tiling lip at the points shown in Fig 4.1
Mark and plug the walls.

Apply silicone sealant to the underside edges of the tray and fix tiling lips with 1½ No 8 screws provided as shown in Fig 4.1. Drill through bottom lip into the floor to secure the tray to the floor, as Fig 4.2. Check that tray is level along all four edges, as Fig 1.1 before final fixing.

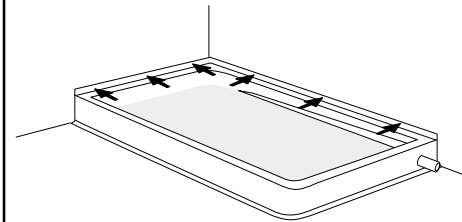


Fig 4.1

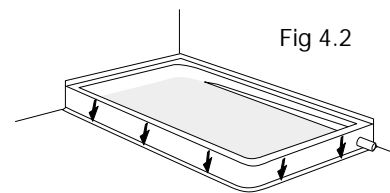


Fig 4.2

5. Tiling

Tile down to the tiling lip using waterproof adhesive and grout.

If you require additional help

Southern regional office

6 Wedgwood Road Bicester Oxon OX6 7UL

Tel: 01869 246470

Fax: 01869 247214

Scottish divisional office

Unit 16, Evans Business Centre, 64-78 Queen Elizabeth Avenue,

Hillington Industrial Estate, Glasgow, G52 4NQ

Tel: 0141 880 9986

Fax: 0141 880 9990

Northern Ireland

5 Balloo Way, Balloo Industrial Estate, Bangor, Co Down BT19 7QZ

Tel: 02891 450497

Fax: 02891 270046

**Chiltern**
Invadex

Solutions for Living