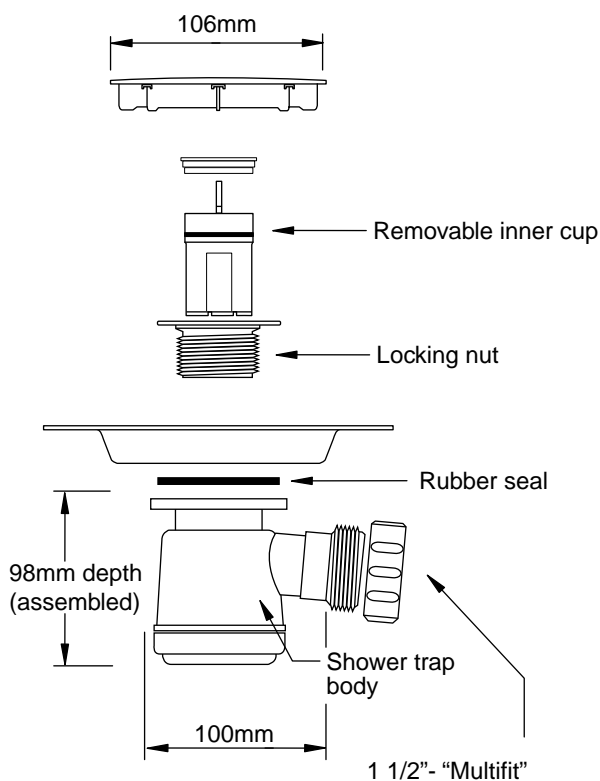


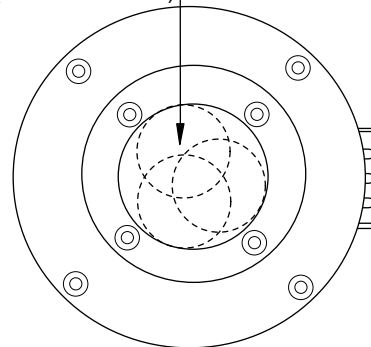
EasiDec Wet Floor Installation - Timber Floor

Gravity waste for wet floor
exploded view

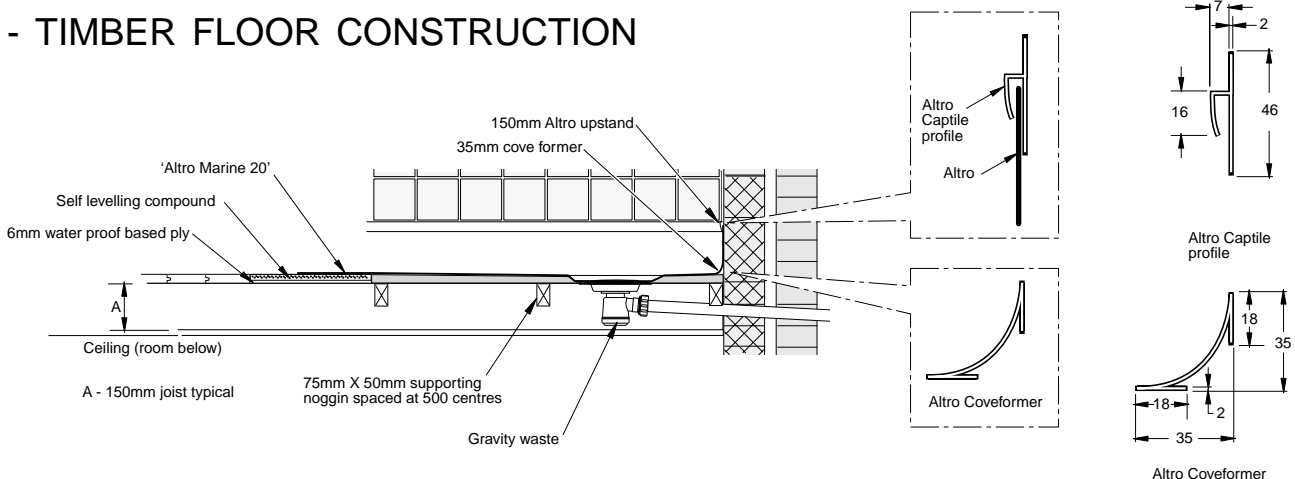


Gravity waste for wet floor
plan view

Alternative drilling positions
to overcome typical site conditions
(50mm diameter)



TYPICAL CROSS SECTION THROUGH WET FLOOR 'EASIDEC' - TIMBER FLOOR CONSTRUCTION



If you require additional help or information or training please contact:

Wet Floor Installation- Timber Floor



Fig 1

Check contents

Check contents. Carefully unpack the EasiDec and check for any damage. Chiltern Invadex will take no responsibility for damage once the EasiDec is installed. Damage must be notified to the company in line with its Terms and Conditions of sale. Always ensure that the correct waste outlet has been ordered for use with the EasiDec. This will be a gravity waste with a compatible trap for use on a timber floor.

Safety considerations

Care should always be taken when handling heavy or awkward loads.



Fig 2

1. Positioning the EasiDec & cutting floorboards

Place the EasiDec in position and mark around with a pencil, as Fig 1. Carefully cut out floorboards within the area marked. Place the EasiDec in position to ensure good fit. Provide noggins where necessary to support the centre and edges of the EasiDec. The EasiDec must not overhang any joist at its edges by more than 25mm.

Chipboard floor - Ensure the EasiDec is flush with the chipboard as Fig 2. If not pack up as necessary. **Timber floors** - The EasiDec should sit proud of the timber floor by a thickness of hardboard which will butt up flush against it for eventual covering. **Ensure the EasiDec is level on all four sides.** Remove the EasiDec.



Fig 3

2. Fitting the Waste and Gully

Fit the waste pipe and trap. The trap must be positioned to line up with the gully aperture in the EasiDec, as Fig 3. Place the plastic gully in position on the EasiDec. Mark and drill the four fixing holes with a 3.5mm drill. Fix the gully to the EasiDec using 8 x 3/4" stainless steel self tapping screws.



Fig 4

Drill the gully with a 50mm hole saw to line up with the trap (this hole can be offset slightly if required to suit). Place the EasiDec in position, as Fig 4. If required timber noggins or similar must be used to provide support. Place noggins centrally to support the EasiDec where possible. Ensure the EasiDec is in contact with all support timber by bedding it on expanding foam, grip fill or silicone. Secure the trap to the gully using the threaded waste parts provided.

Check EasiDec is level on all 4 sides.



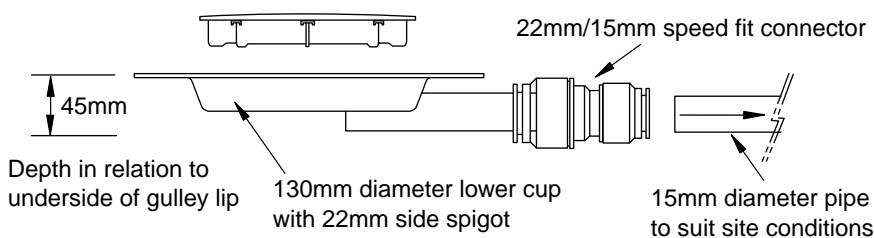
Fig 5

4. Fixing the EasiDec

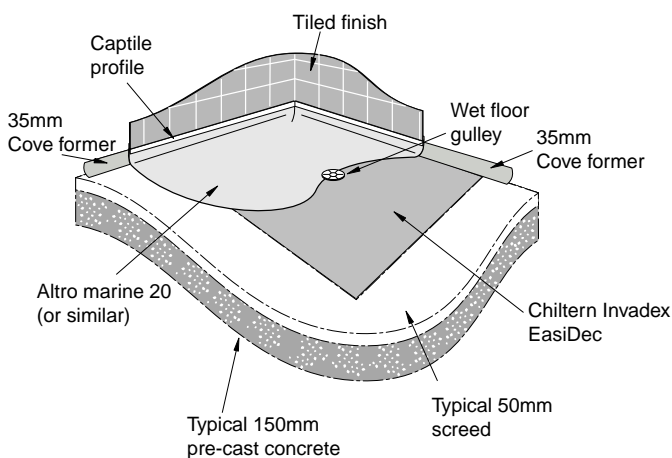
Screw the EasiDec down using the No 10 x 1 1/2 " stainless steel self tapping screws provided. The EasiDec must be screwed down in at least 8-14 positions - about 25mm (1") from the side edge/perimeter by slot drilling and countersinking. The EasiDec can be drilled, countersunk and screwed anywhere in the showering area. Slot drilling is essential to allow natural movement and shrinkage of timber. The screws must have movement. Do not overtighten the screws. The screw heads must be flush with the surface of the EasiDec. Complete the installation in the conventional manner, covering the EasiDec with vinyl flooring, as Fig 5. The EasiDec can be latexed to accommodate uneven surfaces.

EasiDec Wet Floor Installation - Concrete & Floating Floor

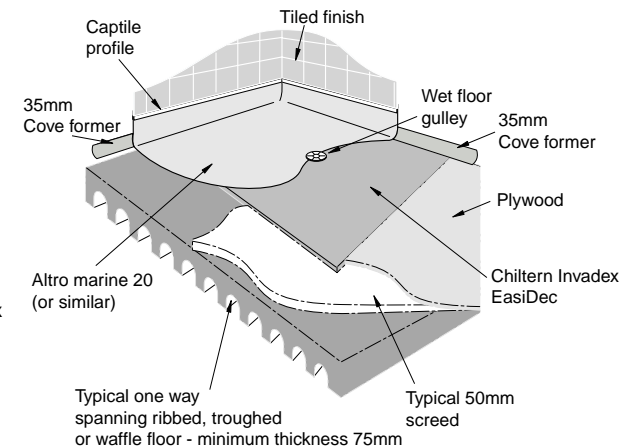
Pumped waste for wet floor
exploded view



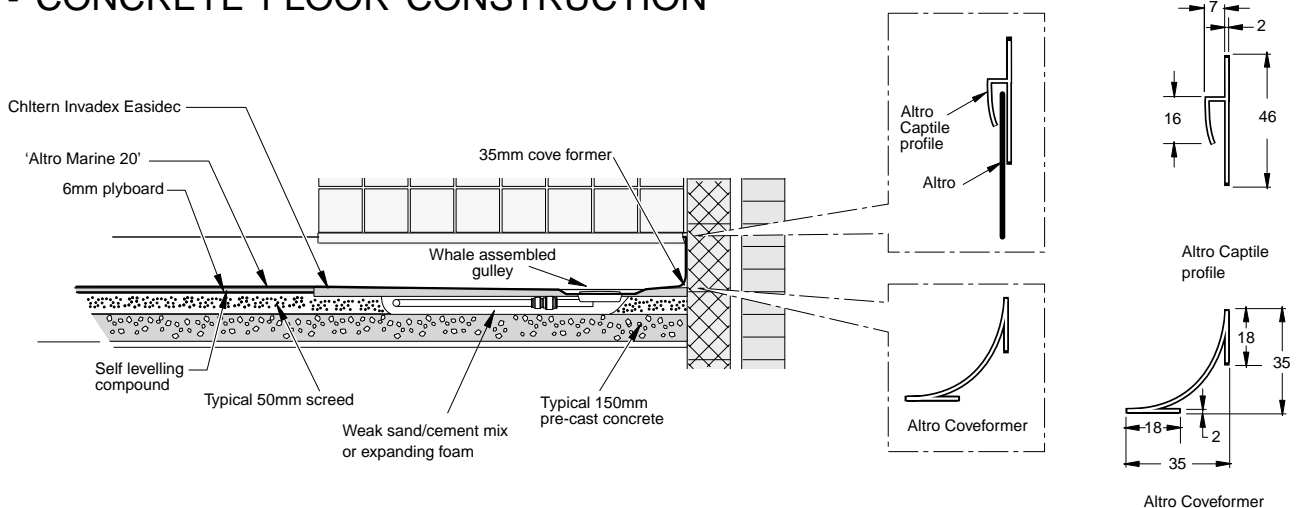
CONCRETE FLOOR WITH VINYL FLOORING



FLOATING FLOOR WITH VINYL FLOORING



TYPICAL CROSS SECTION THROUGH WET FLOOR 'EASIDEC' - CONCRETE FLOOR CONSTRUCTION



Wet Floor Installation - Concrete Floor

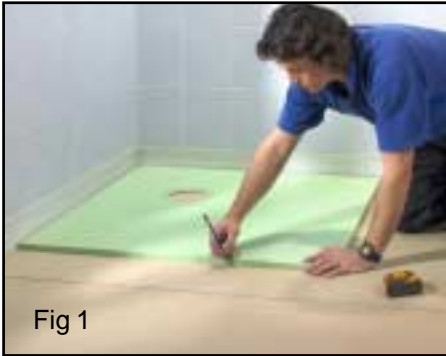


Fig 1

Check the contents

Carefully unpack the EasiDec and check for any damage. Chiltern Invadex will take no responsibility for damage once the EasiDec is installed. Damage must be notified to the company in line with its Terms and Conditions of sale. Always ensure that the correct waste outlet has been ordered for use with the EasiDec. Typically, this will be a pumped waste outlet with a Whale Pump (site conditions permitting)

Safety considerations

Care should always be taken when handling heavy or awkward loads.



Fig 2

1. Positioning the EasiDec & removing concrete

Decide on the position of the EasiDec. Place the EasiDec in position and mark around with a pencil, as Fig 1. Carefully remove all concrete within the marked area to a thickness of 25mm. Mark position of waste.

Place the EasiDec in position to ensure good fit. Always ensure the EasiDec is level on all 4 sides and flush with the finished concrete floor as Fig 2. A propriety self levelling compound can be used to make level and smooth off rough edges.



Fig 3

2. Fitting the Waste Gully

Remove sufficient concrete for installation of the waste pipe and gully. Drop the gully into the preformed hole. Adjust the waste outlet to the desired angle, as Fig 3.

Fit the waste pipe and trap and align with the centre of the gully.

To fix the gully to the EasiDec, drill 4 x 3.5mm holes through the marked position on the gully and straight through the EasiDec. Fix the gully in position using 3/4" x 8 stainless steel self-tapping screws.



Fig 4

3. Connect waste pipe

Connect the waste pipe by reaching under the EasiDec and solvent cementing (or speed fitting) the pipe to the gully (if this is not possible, glue a short length of waste pipe to the gully before it is lowered into position), as Fig 4.

4. Fixing the EasiDec

Bed the EasiDec on a weak sand/cement mix or expanding foam to ensure it is fully supported (do not overfill with expanding foam). Check the EasiDec is level on all 4 sides and flush with the finished concrete floor. Complete the installation in the conventional manner, covering the EasiDec with vinyl flooring. The EasiDec can be latexed to accommodate uneven surfaces.

If you require additional help or information or training please contact:

126 Churchill Road, Bicester, Oxon OX26 4XD
Northern Ireland: 5 Balloo Way, Balloo Industrial Estate, Bangor, Co Down BT19 7QZ

Tel: +44 (0) 1869 365500
Tel: 028 9145 0497

Fax: +44 (0) 1869 365588
Fax: 028 9127 0046

**Chiltern**
Invadex
Solutions for Living

